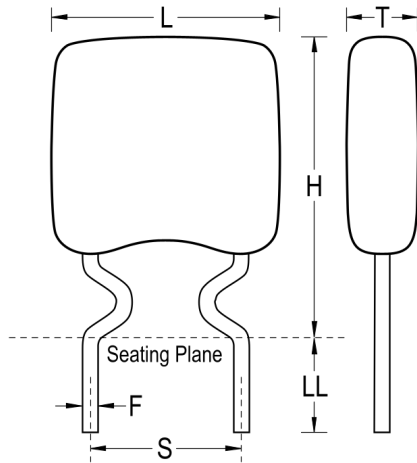


## C638C104KDR5TA

GoldMax 600 Comm X7R HV, Ceramic, 0.1 uF, 10%, 1000 VDC, X7R, GoldMax, Commercial Standard, Lead Spacing = 9.52mm



Click [here](#) for the 3D model.

### Dimensions

L	11.9mm MAX
H	15.74mm MAX
T	6.89mm MAX
S	9.52mm NOM
LL	7mm MIN
F	0.64mm NOM

### Packaging Specifications

Packaging	Bulk, Bag
Packaging Quantity	50

### General Information

Series	GoldMax 600 Comm X7R HV
Style	Radial
Description	GoldMax, Commercial Standard
RoHS	With Exemptions
REACH	SVHC (Pb - CAS 7439-92-1)
Termination	Tin
Failure Rate	N/A
AEC-Q200	No
Halogen Free	Yes

### Specifications

Capacitance	0.1 uF
Measurement Condition	1 kHz 1.0Vrms
Capacitance Tolerance	10%
Voltage DC	1000 VDC
Dielectric Withstanding Voltage	1200 VDC
Temperature Range	-55/+125°C
Temperature Coefficient	X7R
Capacitance Change with Reference to +25°C and 0 VDC Applied (TCC)	0.15, 1kHz 1.0Vrms
Dissipation Factor	2.5% 1kHz 1.0Vrms
Aging Rate	3% Loss/Decade Hour: Referee Time is 1000 Hours
Insulation Resistance	10 GOhms