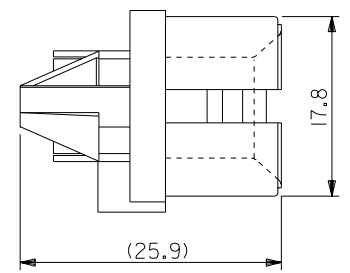
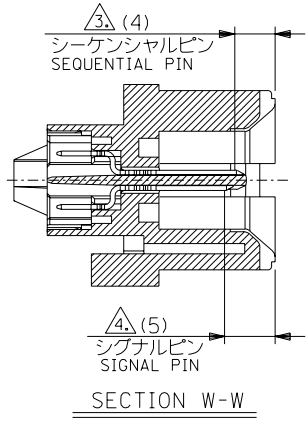
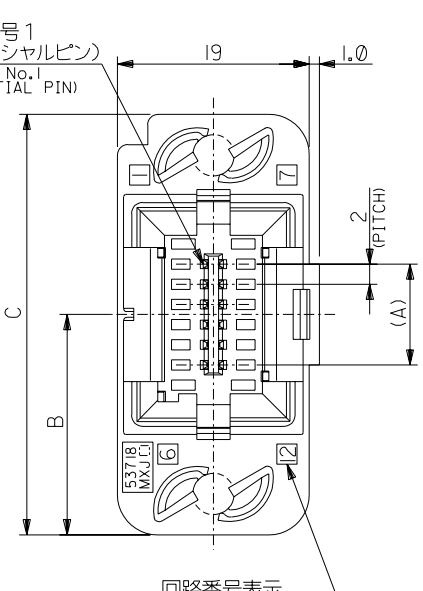
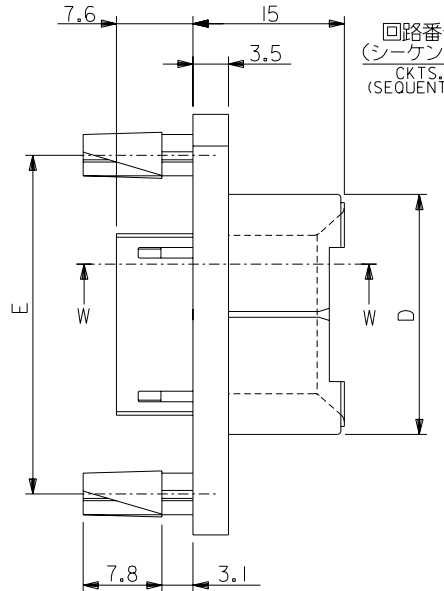
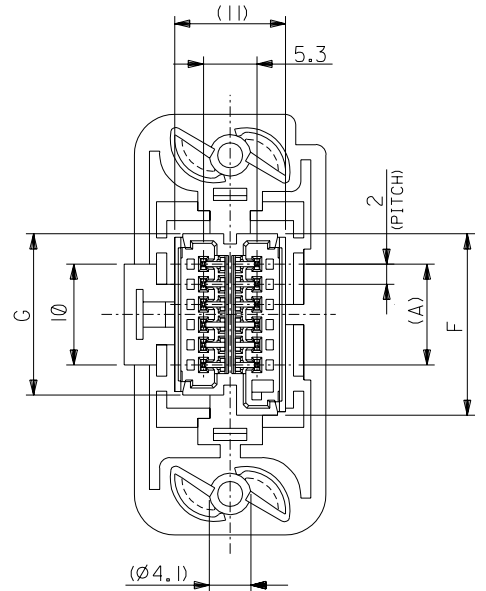
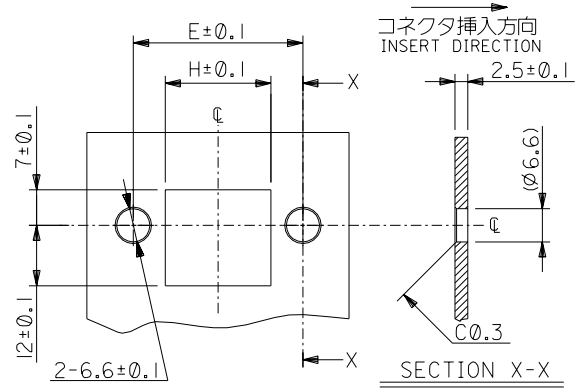


DWG. NO. SD-55533-003



- 注) NOTES:
- 材質 MATERIAL
ハウジング: ポリカーボネイト, UL94V-0, 黒
HOUSING: POLYCARBONATE, UL94V-0, BLACK
ターミナル: 黄銅
TERMINAL: BRASS
 - メッキ仕様 PLATING
金メッキ: 0.25µm MIN. (接点部)
GOLD: 0.25µm MIN. (CONTACT AREA)
錫メッキ: 1.0µm MIN. (リセプタクル嵌合部)
TIN-LEAD: 1.0µm MIN. (RECEPTACLE CONNECTED AREA)
ニッケルメッキ: 2.0µm MIN. (下地メッキ)
NICKEL: 2.0µm MIN. (UNDER PLATING)
 - 適用極: 1
APPLIES CKTS.No.: 1
 - 適用極: 2 ~ N
APPLIES CKTS.No.: 2 ~ N
 - 適用リセプタクル: 52484,51090 シリーズ
APPLICABLE RECEPTACLE: 52484,51090 SERIES.
 - 嵌合相手: 54702 シリーズ
MATES WITH: 54702 SERIES.
 - 本製品は 55533-1211 の鉛フリー品である。
THIS PRODUCT IS LEAD FREE OF 55533-1211.



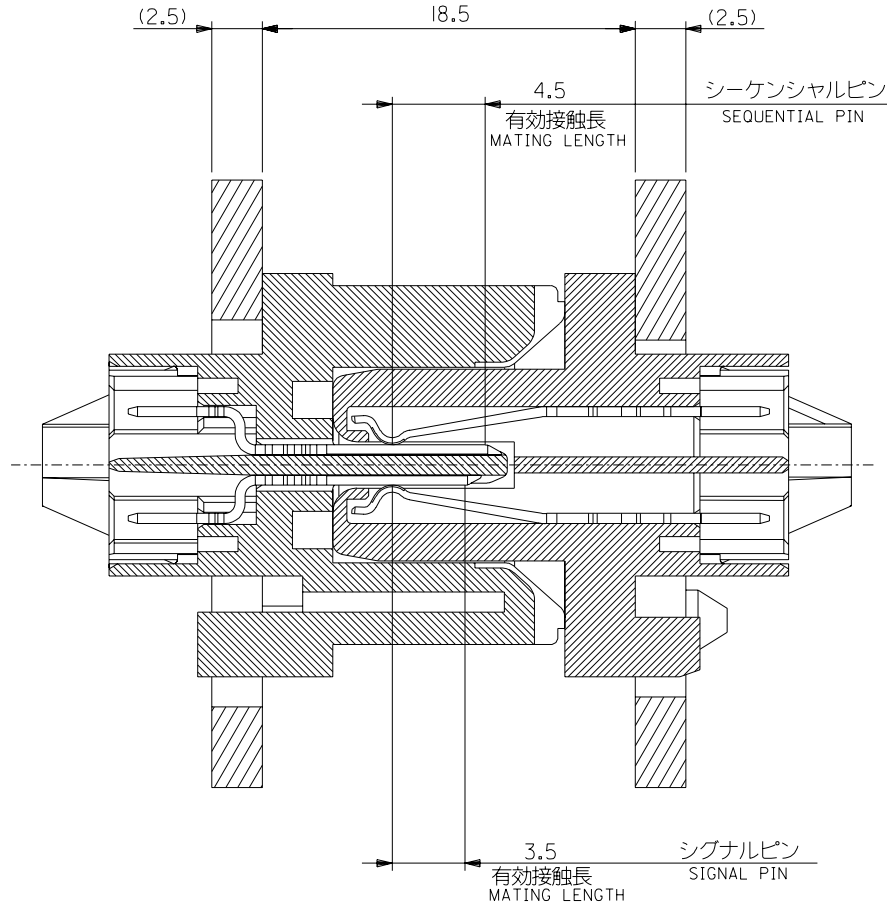
| | | | | | | | | | | |
|----|----|----|------|------|------|-------|-----|--------------|------------|------|
| 21 | 16 | 18 | 33.6 | 23.8 | 41.7 | 21.85 | 10 | 55533-1219 | 55533-**19 | 12 |
| H | G | F | E | D | C | B | (A) | MATERIAL NO. | MODEL NO. | CKT. |

DO NOT SCALE DRAWING

| | | | | |
|------------------------------|------------------------------|------------------------------|------------------------------|--|
| 164 NO. DRWN: CH'K: APPR: | 163 NO. DRWN: CH'K: APPR: | 162 NO. DRWN: CH'K: APPR: | 161 NO. DRWN: CH'K: APPR: | RELEASED '04/03/25 160 NO. J2004-3343 DRWN: T.UENO CH'K: M.SASAO APPR: M.SASAO |
| DESCRIPTION | | | | |
| MATERIAL 材料 | | | | |
| SEE NOTES | | | | |
| FINISH 仕上げ | | | | |
| SEE NOTES | | | | |
| WIRE RANGE 適用線径範囲 | | | | |
| — # — | | | | |
| INS. RANGE 被覆外径 | | | | |
| — # — | | | | |

| | | | | | |
|---|-------|-------|--|---|------------|
| GENERAL TOLERANCES: (UNLESS SPECIFIED) 一般公差 | | SCALE | DESIGN UNITS | DIMENSIONS: <input type="checkbox"/> mm <input type="checkbox"/> INCH <input checked="" type="checkbox"/> mm ONLY | SHT REV |
| 10 UNDER 未満 | ±0.2 | — | <input checked="" type="checkbox"/> mm <input type="checkbox"/> INCH | | |
| 10 OVER 30 UNDER 未満 | ±0.25 | | DRAWN BY & DATE T.UENO '04/03/25 | TITLE: 2mm PITCH FLOATING CONN. PLUG HS'G ASS'Y -LEAD FREE- | |
| 30 OVER 以上 | ±0.3 | | CHECKED BY & DATE M.SASAO '04/03/25 | | |
| ANGLE 角度 | ±3° | | APPROVED BY & DATE M.SASAO '04/03/25 | | |

| | | | | | | | |
|--|--|---------------------------|--|-----------------------------|--|---------------------|-----------|
| CAD FILENAME SD-55533-003.S01 | | MATERIAL NO. SEE CHART | | DRAWING NO. SD-55533-003 | | SHEET NO. 1 OF 2 | |
| MOLEX MOLEX INCORPORATED | | | | | | | |
| THIS DRAWING CONTAINS INFORMATION THAT IS PROPRIETARY TO MOLEX INCORPORATED AND SHOULD NOT BE USED WITHOUT WRITTEN PERMISSION. | | | | | | | |
| | | | | | | | SIZE B |



DO NOT SCALE DRAWING

| | | | | | | | | | | |
|---|-------------------------|----------------------|---|---|---|---|--|--|--|-----------|
| 64 NO. DRWN: CH'K: APPR: 63 NO. DRWN: CH'K: APPR: 62 NO. DRWN: CH'K: APPR: 61 NO. DRWN: CH'K: APPR: 60 NO. J2004-3343 DRWN: T.UENO CH'K: M.SASAO APPR: M.SASAO | RELEASED '04/03/25 0 | MATERIAL 材料 | # | GENERAL TOLERANCES: (UNLESS SPECIFIED) 一般公差 10 UNDER 未満 ±0.2 10 OVER 30 UNDER 未満 ±0.25 30 OVER 以上 ±0.3 ANGLE 角度 ±3° | SCALE | DESIGN UNITS | DIMENSIONS: <input type="checkbox"/> mm <input type="checkbox"/> INCH <input checked="" type="checkbox"/> mm ONLY <input type="checkbox"/> mm <input type="checkbox"/> INCH <input checked="" type="checkbox"/> mm ONLY 7888 2RD ANGLE PROJECTION | SHT | REV | |
| | | FINISH 仕上げ | # | | DRAWN BY & DATE T.UENO '04/03/25 | TITLE: 2mm PITCH FLOATING CONN. PLUG HS'G ASS'Y -LEAD FREE- | | MOLEX INCORPORATED CAD FILENAME SD-55533-003.S02 MATERIAL NO. SEE SHEET 1 OF 2 DRAWING NO. SD-55533-003 SHEET NO. 2 OF 2 | 7888 DRAWING CONTAINS INFORMATION THAT IS PROPRIETARY TO MOLEX INCORPORATED AND SHOULD NOT BE USED WITHOUT WRITTEN PERMISSION. | SIZE B |
| | | WIRE RANGE 適用電線範囲 | # | | CHECKED BY & DATE M.SASAO '04/03/25 | | | | | |
| | | INS. RANGE 被覆外径 | # | | APPROVED BY & DATE M.SASAO '04/03/25 | | | | | |