

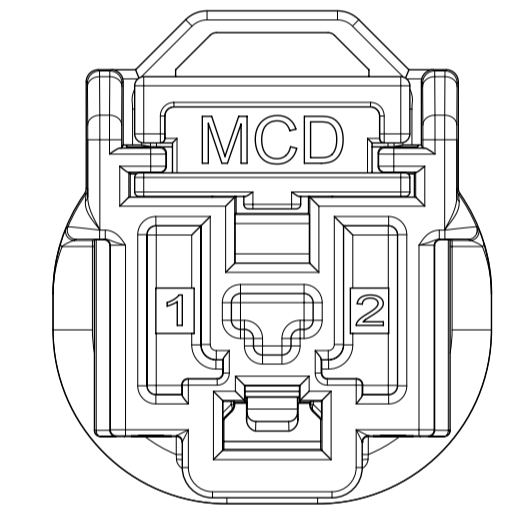
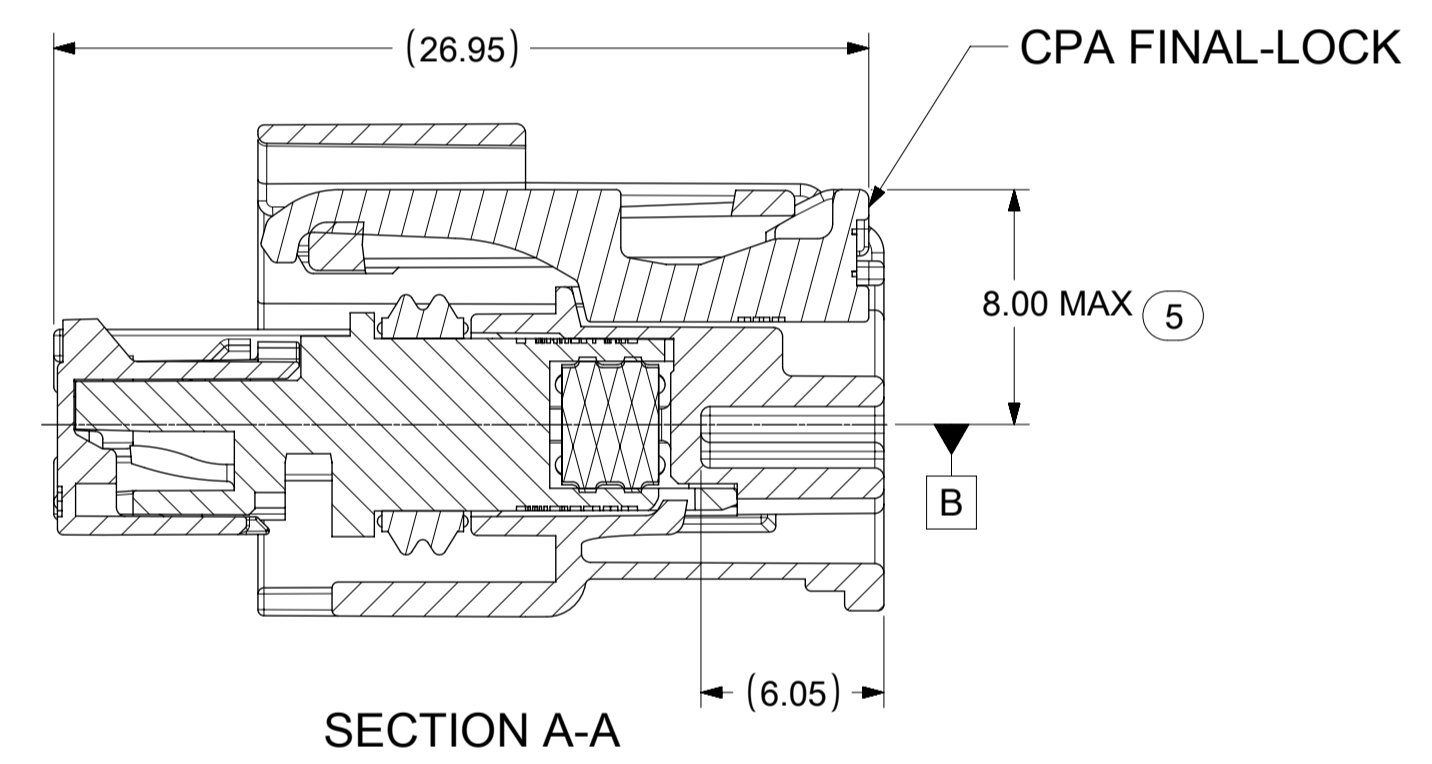
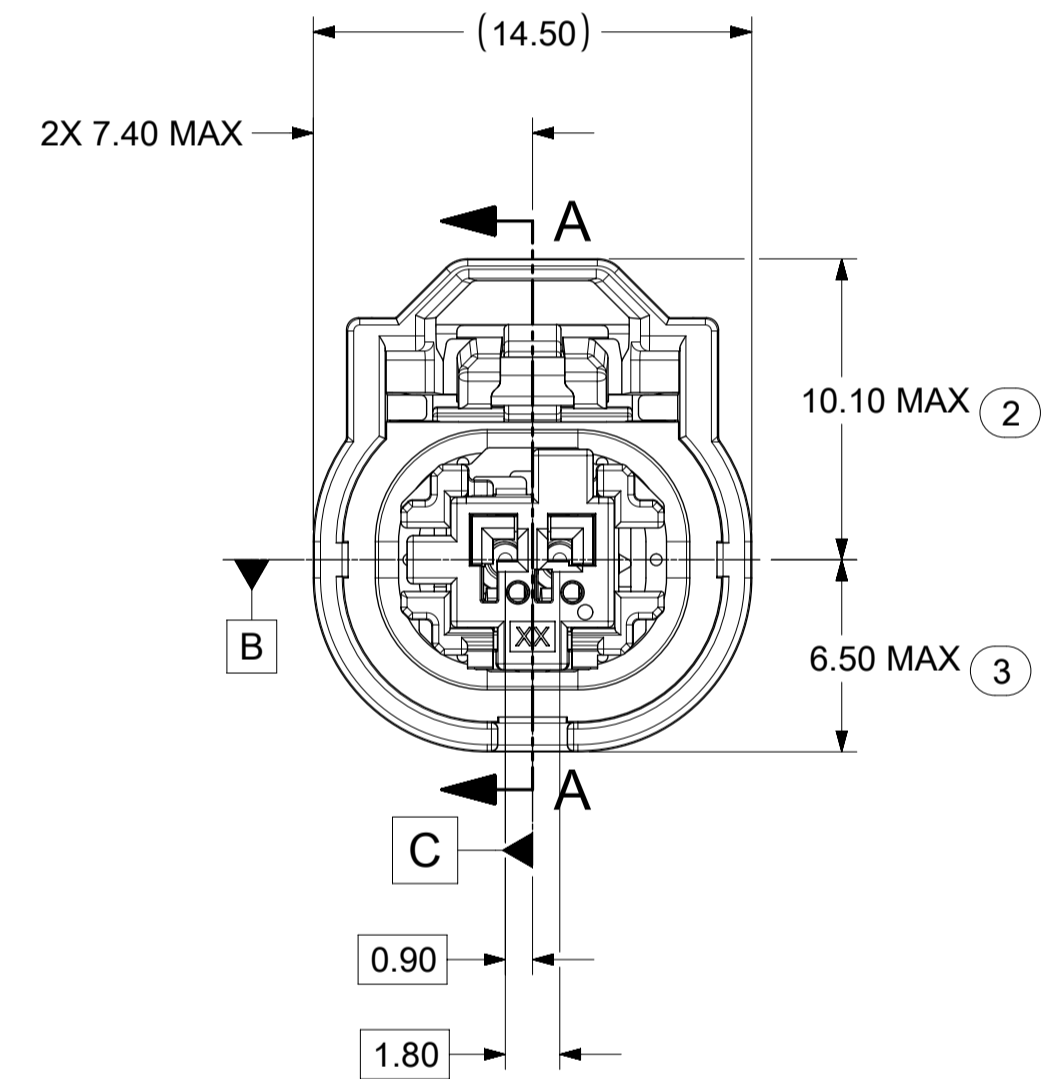
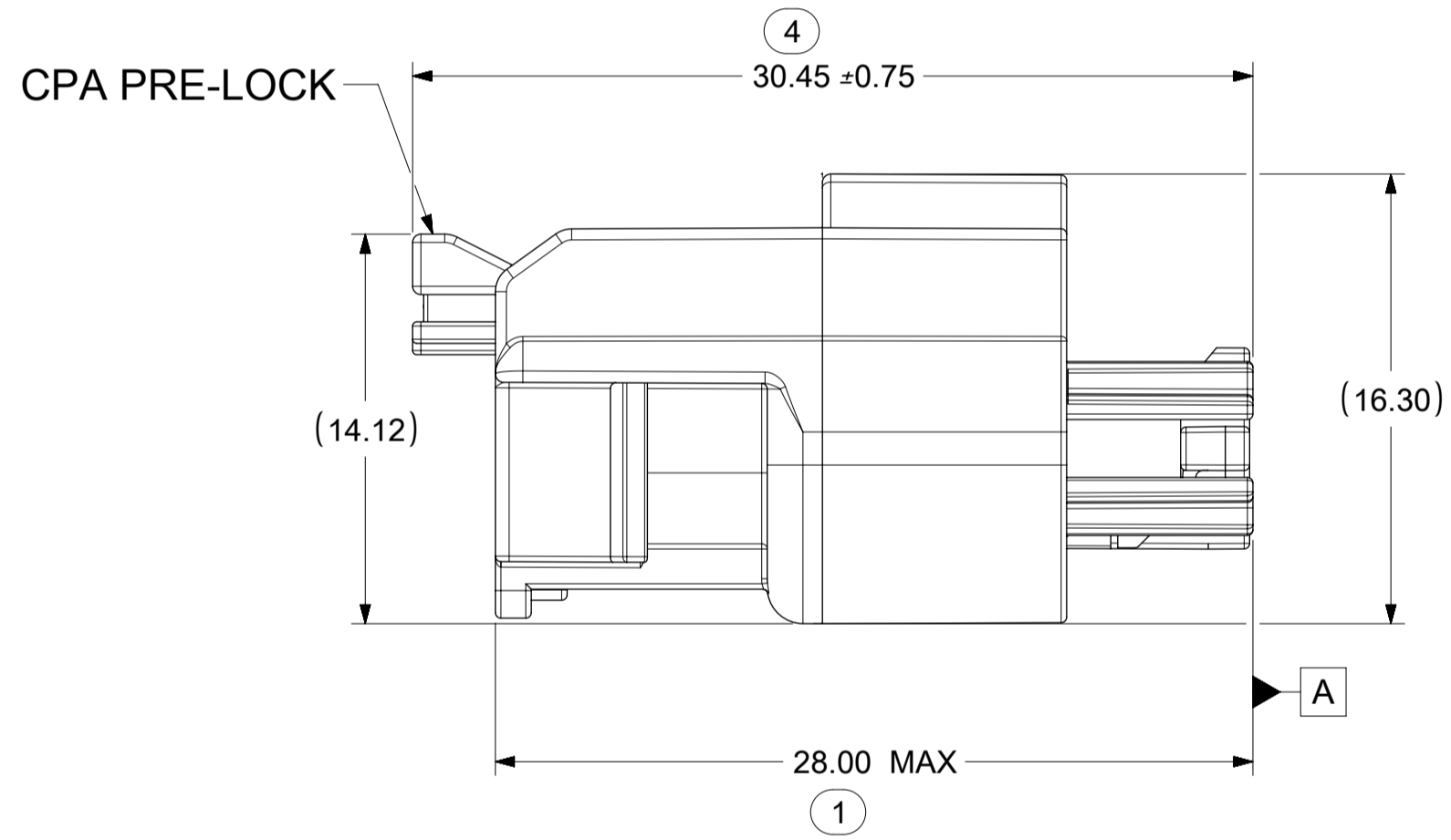
NOTES: VALID UNLESS OTHERWISE SPECIFIED

1. GENERAL:

- a. PACKAGING SPECIFICATION PER MOLEX DRAWING: PK-31301-898
- b. PARTS MUST BE IN COMPLIANCE TO THE CURRENT VERSION OF THE MOLEX CHEMICAL SUBSTANCES FOR PRODUCTS AND PACKAGING SPECIFICATION
- c. DATA MUST BE SUBMITTED UNDER THE MOLEX PART NUMBER TO IMDS (COMPANY ID#13255)

2. DESIGN - GEOMETRY:

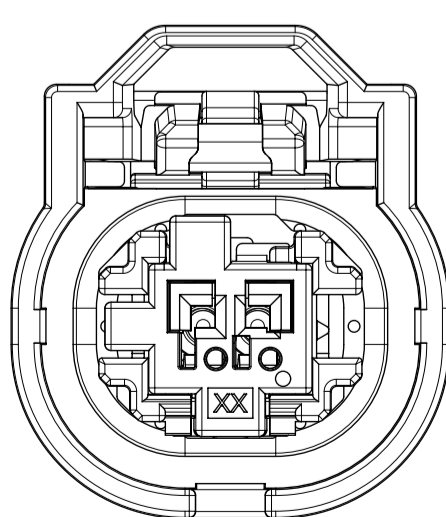
- a. ALL GRAPHIC DATA IS BASIC (NO TOLERANCE) AND MUST BE TAKEN FROM THE DATA FILE AT ITS LATEST REVISION.
- b. GEOMETRIC DIMENSIONS AND TOLERANCES PER ASME Y14.5M-2009
- c. EDGES AND UNDIMENSIONED DETAILS PER ISO13715
- d. CORNERS SHOWN AS SHARP TO BE R 0.2 MAX.



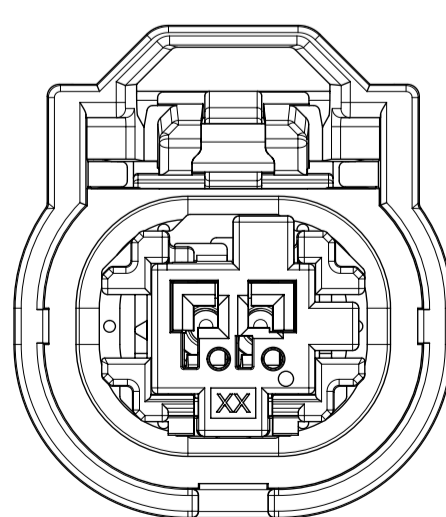
KEY A

MATERIAL NUMBER	KEY	CPA INCLUDED	WEIGHT, REF
34967-2011	A	YES	2.78g
34967-2012	B	YES	
34967-2013	C	YES	
34967-2014	D	YES	2.55g
(D) 34967-2015	A	NO	
(D) 34967-2016	B	NO	
(D) 34967-2017	C	NO	
(D) 34967-2018	D	NO	

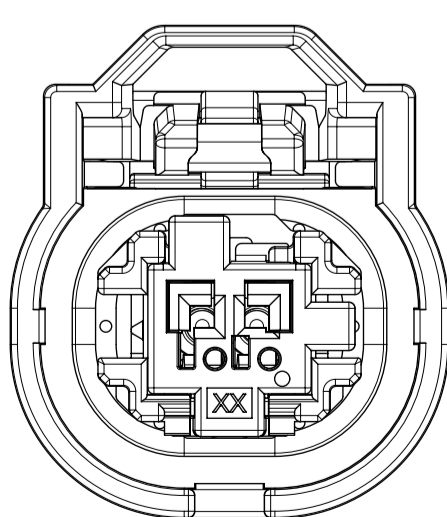
REV.	DESCRIPTION
D	ADDED -2015,-2016,-2017 & -2018, REDIMENSIONED
C	ADDED -2012,-2013, & -2014
B	ADDED GROMMET SEAL
A	INITIAL RELEASE



KEY B



KEY C



KEY D

THIS DRAWING CONTAINS INFORMATION THAT IS PROPRIETARY TO MOLEX ELECTRONIC TECHNOLOGIES, LLC AND SHOULD NOT BE USED WITHOUT WRITTEN PERMISSION

DIMENSION UNITS	SCALE	CURRENT REV DESC: SEE REVISION TABLE					
mm	4:1						
GENERAL TOLERANCES (UNLESS SPECIFIED)				MINI50 SEALED 1X2 ASM KEY A,B,C&D - CAP			
ANGULAR TOL	± 3.0°	EC NO: 609840		PRODUCT CUSTOMER DRAWING			
4 PLACES	±	DRWN: NVELUSAMY	2018/12/20	DOCUMENT NUMBER			
3 PLACES	±	CHK'D: JJPWLICKI	2019/01/03	349672011			
2 PLACES	± 0.13	APPR: DMUELLER	2019/01/24	DOC TYPE   DOC PART   REVISION			
1 PLACE	± 0.25	INITIAL REVISION:		PSD   000   D			
0 PLACES	±	DRWN: ABABU01		MATERIAL NUMBER			
DRAFT WHERE APPLICABLE MUST REMAIN WITHIN DIMENSIONS		APPR: DMUELLER		2017/10/03		CUSTOMER	
THIRD ANGLE PROJECTION		DRAWING		2017/11/10		SHEET NUMBER	
A1-SIZE		SERIES		SEE CHART		GENERAL MARKET	
		34967		1 OF 1			