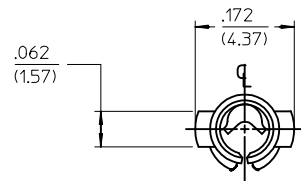
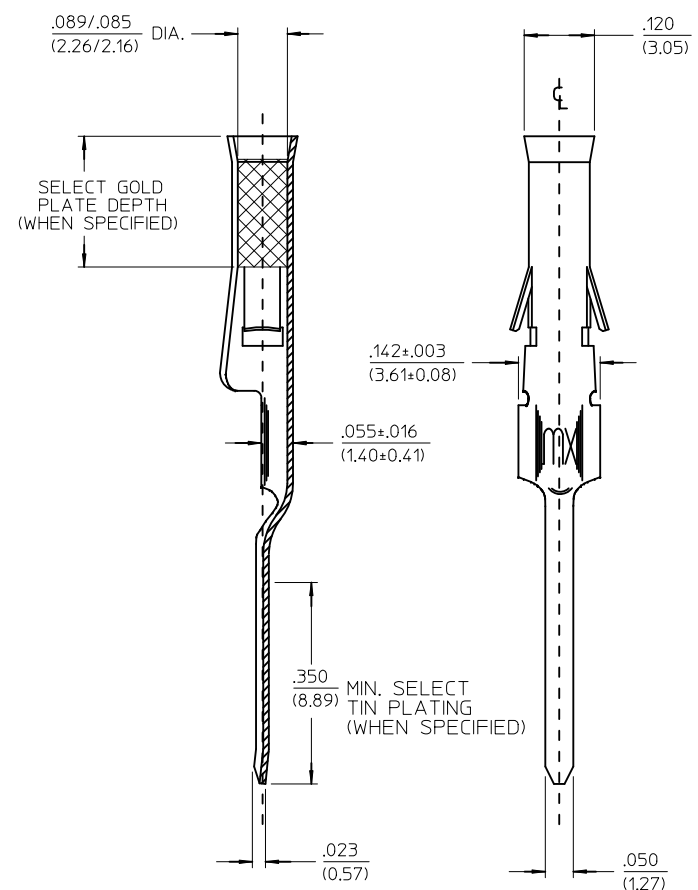
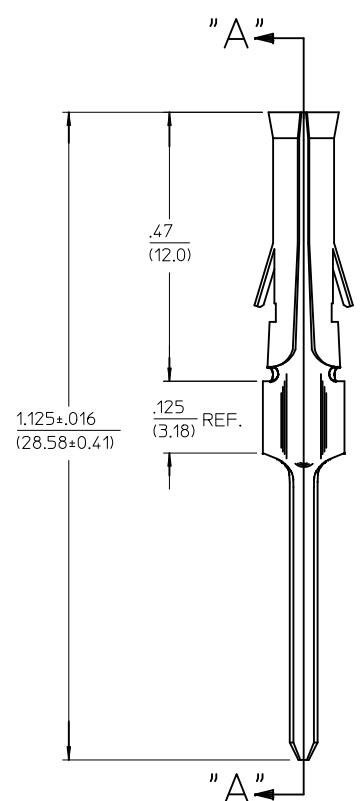


PART NO.	ENG. NO.	SUFFIX WAS
02-09-1134	1377-A(P909)L	-ATL
02-09-5132	1377-A(P228)L	-GL
50-34-8511	1377-A(P154)L	



LEGEND

1377-A(****)*
 * FORM L=LOOSE
 P=PREPLATE BLANK=POSTPLATE
 FINISH CODE



- NOTES:**
1. MATERIAL: BRASS
 2. FINISHES:
 - * 909 HOT TIN DIP .000100/(0.00254) MIN.
 - * 154 OVERALL TIN .000100/(0.00254) MIN. OVER .000050/(0.00127) MIN. NICKEL OVERALL.
 - * 228 SELECT GOLD PLATE .000030/(0.00075) MIN. IN CONTACT AREA, SELECT TIN PLATE .000100/(0.00250) MIN. IN TAIL AREA OVER .000050/(0.00125) NICKEL OVERALL.
 - * THE PRIMARY SHIPPING CARTON WILL BE LABELED, "COMPLIANT TO RoHS DIRECTIVE 2002/95/EC AND ELV ANNEX II OF DIRECTIVE 2000/53/EC", AND CARTONS WITHOUT THIS LABEL MAY CONTAIN PRODUCT WITH TIN-LEAD.
 3. PRODUCT SPECIFICATION: PS-02-09
 4. PACKAGING INFORMATION: NOT AVAILABLE.
 5. TERMINALS FOR USE WITH 0.093/(2.36) SERIES HOUSINGS.
 6. RECOMMENDED P.C. BOARD HOLE SIZE IS .062 .002/(1.57 0.05) DIA.
 7. INSERTION FORCE: 3.5 LBS. MAX. WHEN TERMINAL IS INSERTED INTO AN .093 SERIES HOUSING.

ADD P/N 1377 -A(P154) EC NO: UCP2006-2524 DRWN:AELHAG 2006/05/15 CHKD:LSCHMIDT 2006/05/22 APPR:FSMITH 2006/07/14 V1	QUALITY SYMBOLS	GENERAL TOLERANCES (UNLESS SPECIFIED)	SCALE 1:1	DESIGN UNITS INCH	THIRD ANGLE PROJECTION	REVISE ON CAD ONLY															
	▽ - 0 ∇ - 0	<table border="1"> <thead> <tr> <th></th> <th>mm</th> <th>INCH</th> </tr> </thead> <tbody> <tr> <td>4 PLACES ±</td> <td>---</td> <td>±---</td> </tr> <tr> <td>3 PLACES ±</td> <td>---</td> <td>±.010</td> </tr> <tr> <td>2 PLACES ±</td> <td>0.25</td> <td>±.014</td> </tr> <tr> <td>1 PLACE ±</td> <td>0.35</td> <td>±---</td> </tr> </tbody> </table>		mm	INCH	4 PLACES ±	---	±---	3 PLACES ±	---	±.010	2 PLACES ±	0.25	±.014	1 PLACE ±	0.35	±---	DIMENSION STYLE IN/MM	TITLE	P.C. TAIL TERMINAL FEMALE .093/(2.36)DIA	
			mm	INCH																	
	4 PLACES ±	---	±---																		
3 PLACES ±	---	±.010																			
2 PLACES ±	0.25	±.014																			
1 PLACE ±	0.35	±---																			
	ANGULAR ±1/2°	DRAWN BY GC	DATE 1991/02/18	MOLEX INCORPORATED																	
	DRAFT WHERE APPLICABLE	CHECKED BY RW	DATE 1991/02/18	MATERIAL NO. SEE CHART	DOCUMENT NO. SD-1377-*	SHEET NO. 1 OF 1															
	MUST REMAIN WITHIN DIMENSIONS	APPROVED BY GW	DATE 1991/02/18	THIS DRAWING CONTAINS INFORMATION THAT IS PROPRIETARY TO MOLEX INCORPORATED AND SHOULD NOT BE USED WITHOUT WRITTEN PERMISSION																	