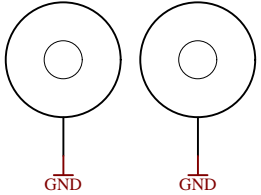
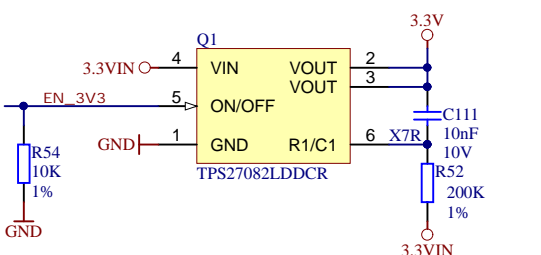
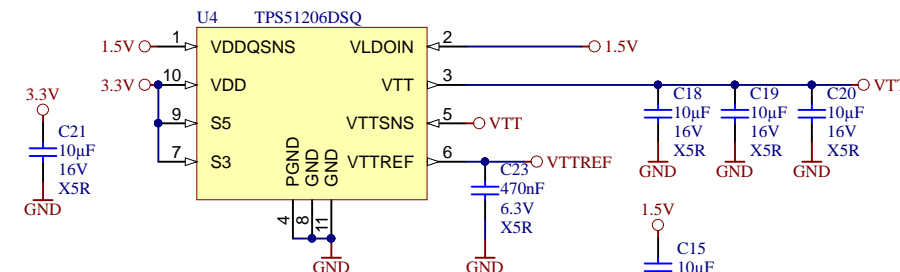
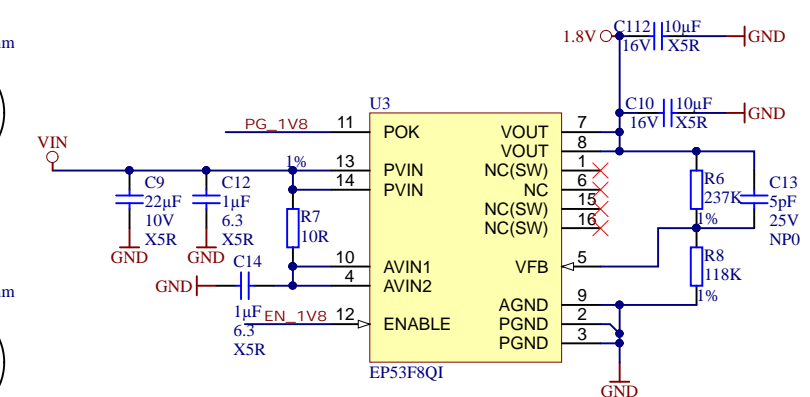
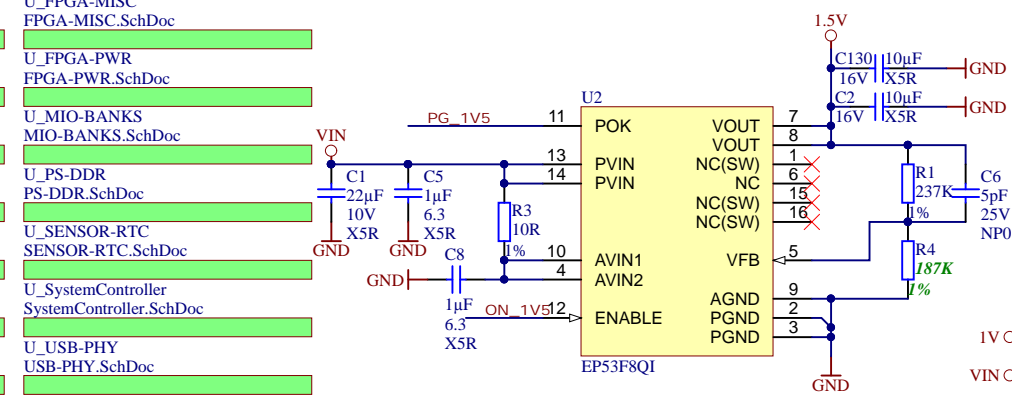
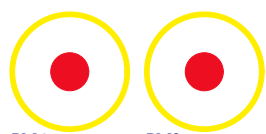
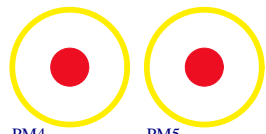
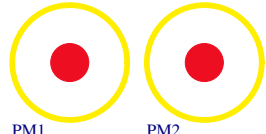
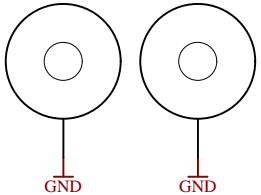


U_B2B-Connectors B2B-Connectors.SchDoc	U_FPGA-MISC FPGA-MISC.SchDoc
U_B13 B13.SchDoc	U_FPGA-PWR FPGA-PWR.SchDoc
U_B33-B34 B33-B34.SchDoc	U_MIO-BANKS MIO-BANKS.SchDoc
U_B35 B35.SchDoc	U_PS-DDR PS-DDR.SchDoc
U_DDR3-RAM DDR3-RAM.SchDoc	U_SENSOR-RTC SENSOR-RTC.SchDoc
U_eMMC eMMC.SchDoc	U_SystemController SystemController.SchDoc
U_ETH-PHY ETH-PHY.SchDoc	U_USB-PHY USB-PHY.SchDoc

Mount.Hole 3.2mm Mount.Hole 3.2mm

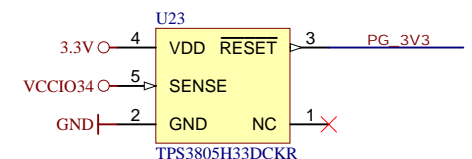
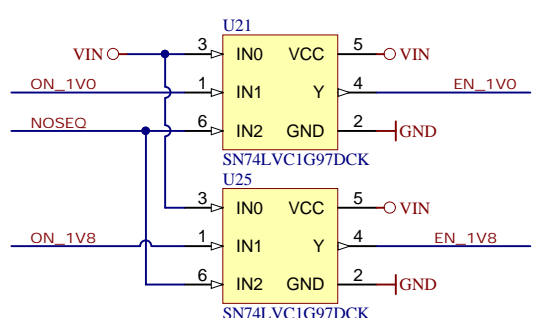
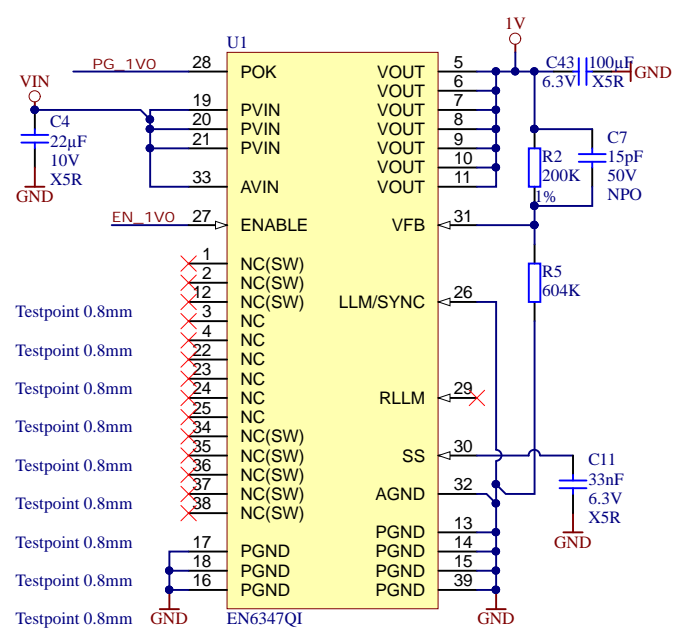


Mount.Hole 3.2mm Mount.Hole 3.2mm

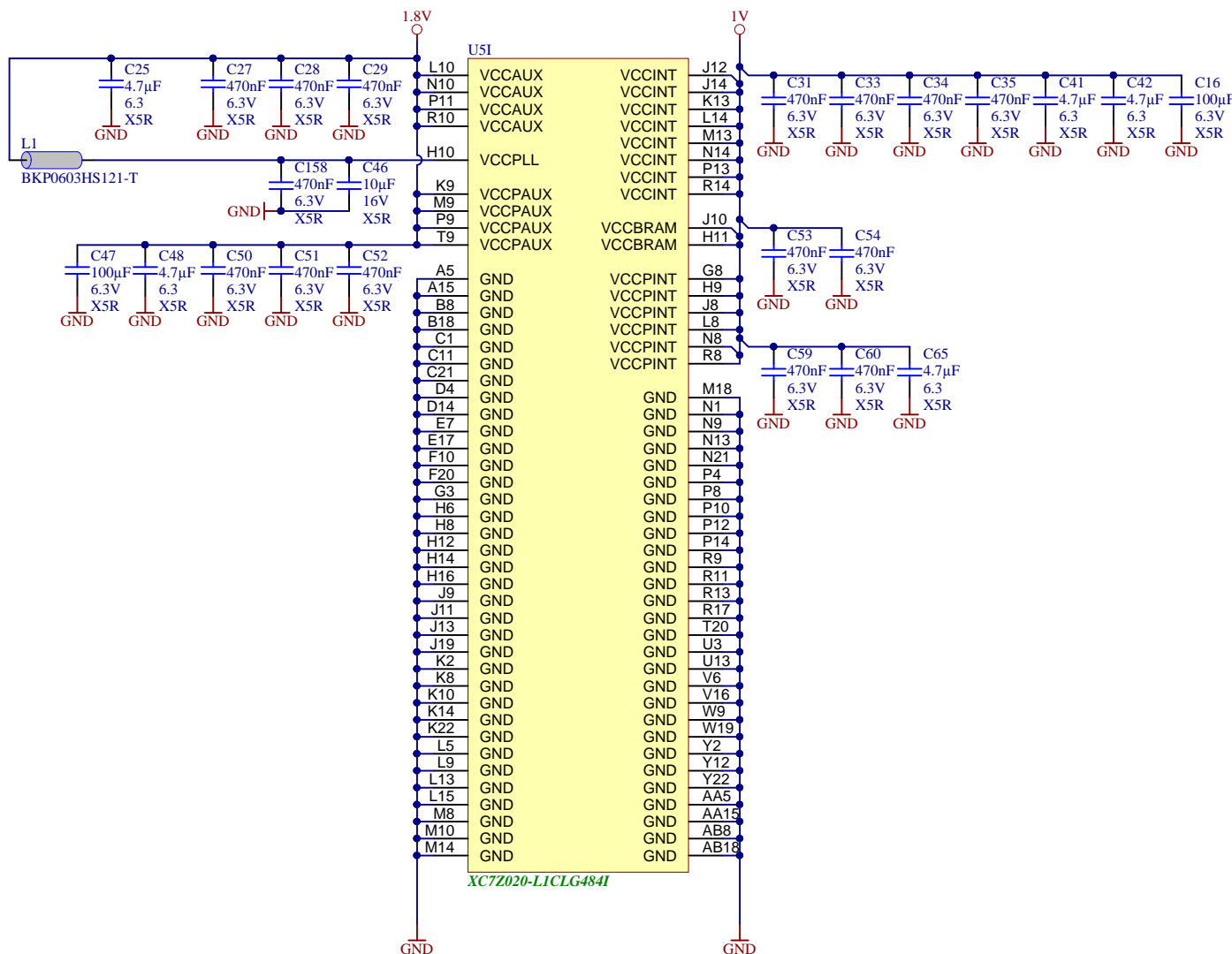


Serial
Serial
Serialnumber 6,3 x 6,3mm

- 1V ○ TP1 Testpoint 0.8mm
- VIN ○ TP2 Testpoint 0.8mm
- 1.5V ○ TP3 Testpoint 0.8mm
- 1.8V ○ TP4 Testpoint 0.8mm
- VTT ○ TP5 Testpoint 0.8mm
- VTTREF ○ TP6 Testpoint 0.8mm
- 3.3V IN ○ TP7 Testpoint 0.8mm
- 3.3V ○ TP8 Testpoint 0.8mm
- VCCIO13 ○ TP9 Testpoint 0.8mm
- VCCIO33 ○ TP10 Testpoint 0.8mm
- VCCIO34 ○ TP11 Testpoint 0.8mm
- VCCIO35 ○ TP12 Testpoint 0.8mm
- AVCC ○ TP13 Testpoint 0.8mm
- AVREF ○ TP14 Testpoint 0.8mm
- AGND ○ TP15 Testpoint 0.8mm
- GND ○ TP16 Testpoint 0.8mm
- GND ○ TP17 Testpoint 0.8mm
- GND ○ TP18 Testpoint 0.8mm
- GND ○ TP19 Testpoint 0.8mm
- GND ○ TP20 Testpoint 0.8mm

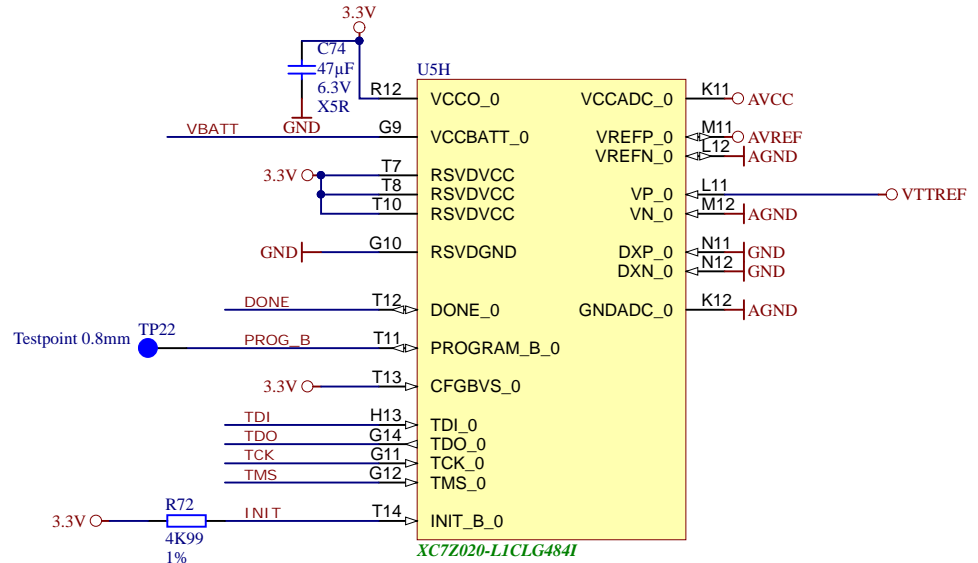
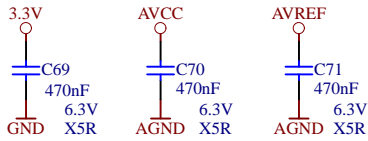
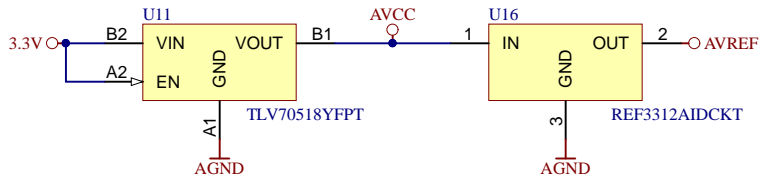



Title: GigaZee - Power		
A4	Number: TE0720 TE0720-L11F	Rev. 03
Date: 2015-10-12	Copyright: 2013 Trenz Electronic GmbH	Page1 of 15
Filename: TE0720.SchDoc		

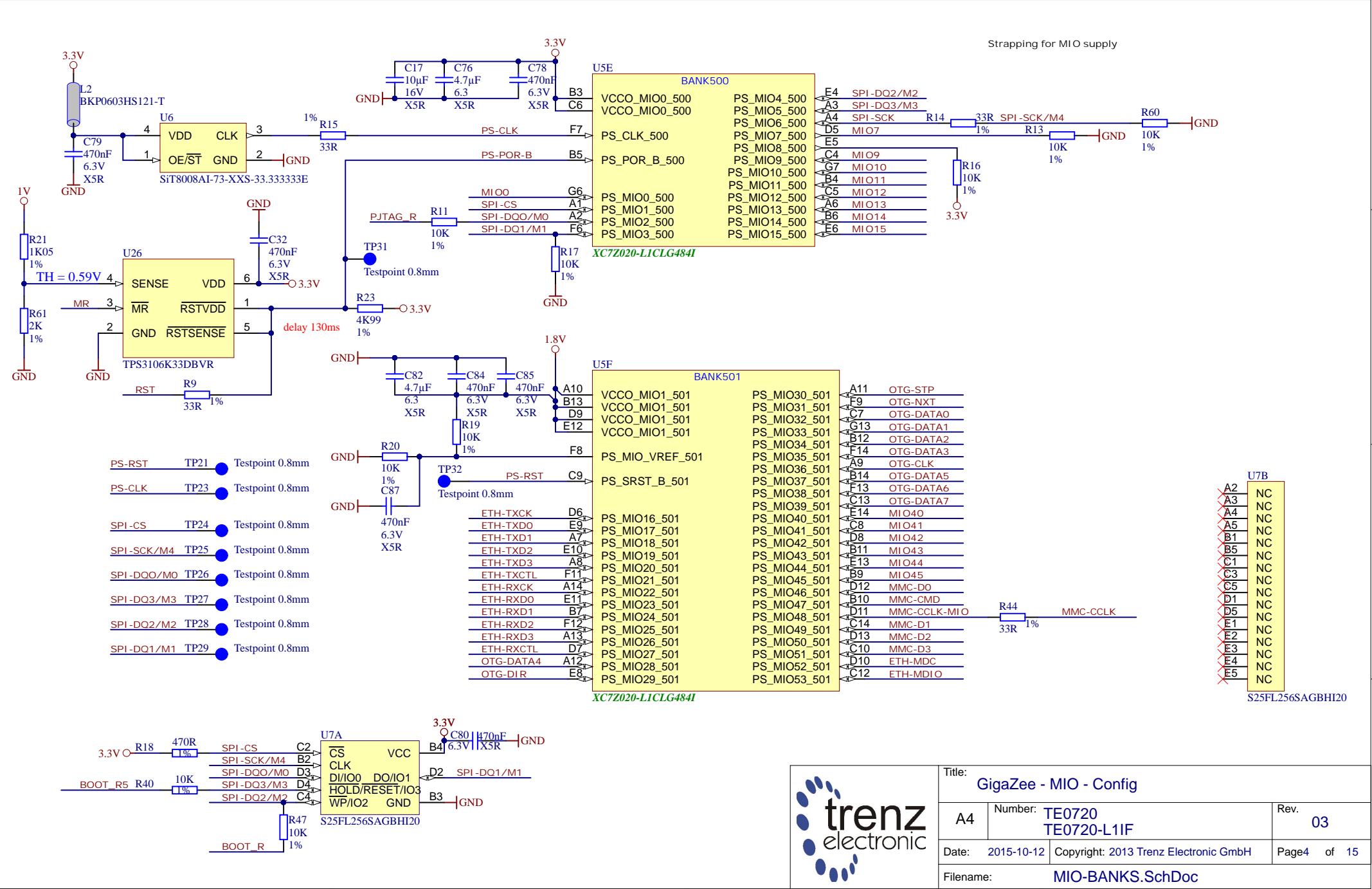


XC7Z020-L1CLG484I

	Title: GigaZee - FPGA Power		
	A4	Number: TE0720 TE0720-L1IF	Rev. 03
	Date: 2015-10-12	Copyright: 2013 Trenz Electronic GmbH	Page2 of 15
	Filename: FPGA-PWR.SchDoc		



		Title: GigaZee - B0	
		A4	Number: TE0720 TE0720-L11F
Date: 2015-10-12		Copyright: 2013 Trenz Electronic GmbH	
Filename: FPGA-MISC.SchDoc		Page3 of 15	



Strapping for MIO supply

USE BANK500

VCCO_MIO0_500	PS_MIO4_500	E4	SPI-DQ2/M2
VCCO_MIO0_500	PS_MIO5_500	A3	SPI-DQ3/M3
PS_CLK_500	PS_MIO6_500	A4	SPI-SCK/M4
PS_POR_B_500	PS_MIO7_500	D5	MIO7
	PS_MIO8_500	E5	
	PS_MIO9_500	C4	MIO9
	PS_MIO10_500	G7	MIO10
	PS_MIO11_500	B4	MIO11
	PS_MIO12_500	C5	MIO12
	PS_MIO13_500	A6	MIO13
	PS_MIO14_500	B6	MIO14
	PS_MIO15_500	E6	MIO15

USF BANK501

VCCO_MIO1_501	PS_MIO30_501	A11	OTG-STP
VCCO_MIO1_501	PS_MIO31_501	F9	OTG-NXT
VCCO_MIO1_501	PS_MIO32_501	C7	OTG-DATA0
VCCO_MIO1_501	PS_MIO33_501	G13	OTG-DATA1
	PS_MIO34_501	B12	OTG-DATA2
	PS_MIO35_501	F14	OTG-DATA3
	PS_MIO36_501	A9	OTG-CLK
	PS_MIO37_501	B14	OTG-DATA5
	PS_MIO38_501	F13	OTG-DATA6
	PS_MIO39_501	C13	OTG-DATA7
	PS_MIO40_501	E14	MIO40
	PS_MIO41_501	C8	MIO41
	PS_MIO42_501	D8	MIO42
	PS_MIO43_501	B11	MIO43
	PS_MIO44_501	E13	MIO44
	PS_MIO45_501	B9	MIO45
	PS_MIO46_501	D12	MMC-CMD
	PS_MIO47_501	B10	MMC-CMD
	PS_MIO48_501	D11	MMC-CCLK-MIO
	PS_MIO49_501	C14	MMC-D1
	PS_MIO50_501	D13	MMC-D2
	PS_MIO51_501	C10	MMC-D3
	PS_MIO52_501	D10	ETH-MDC
	PS_MIO53_501	C12	ETH-MDIO

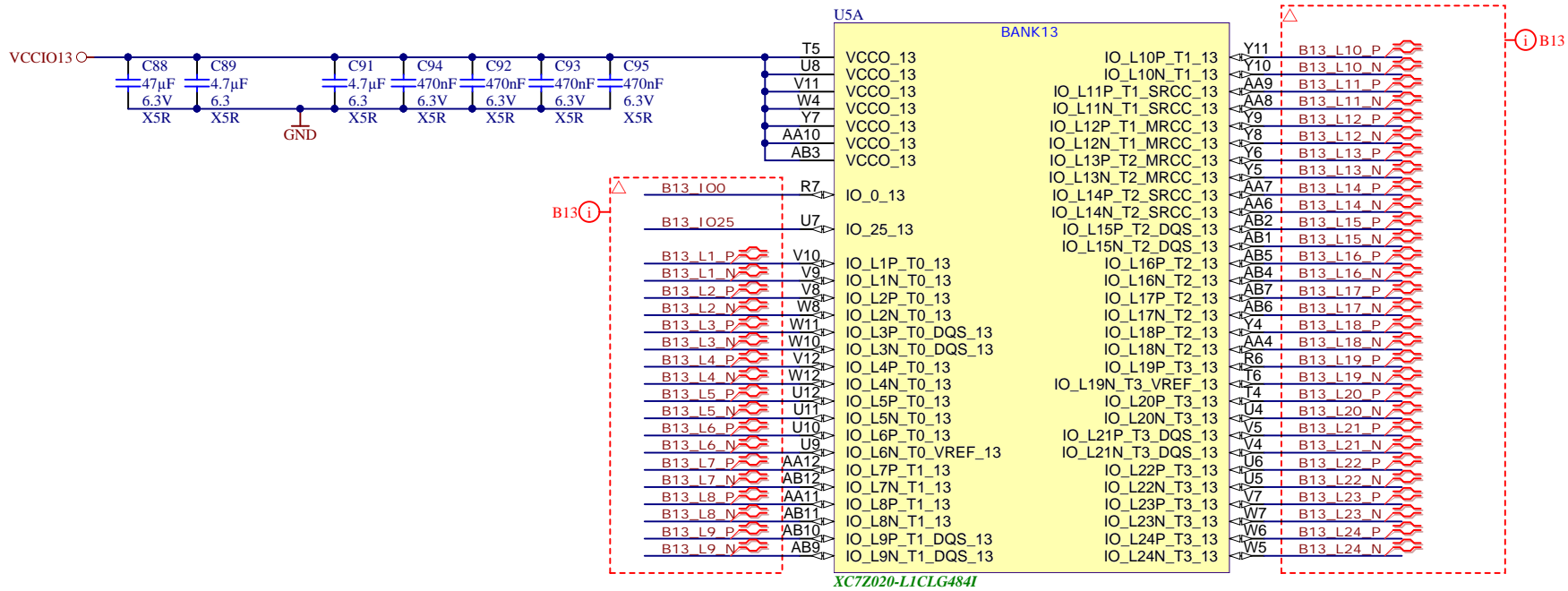
U7B

A2	NC
A3	NC
A4	NC
A5	NC
B1	NC
B5	NC
C1	NC
C3	NC
C5	NC
D1	NC
D5	NC
E1	NC
E2	NC
E3	NC
E4	NC
E5	NC

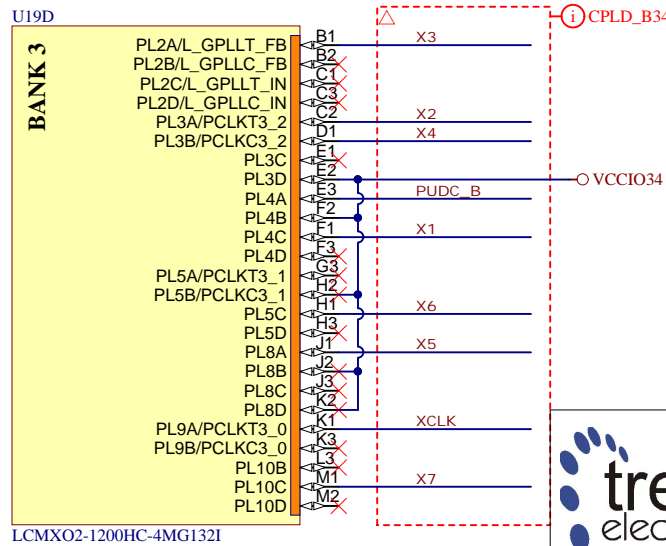
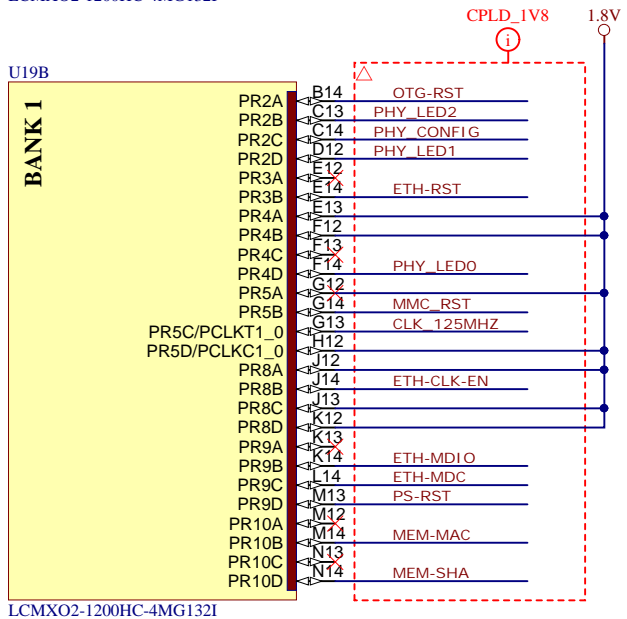
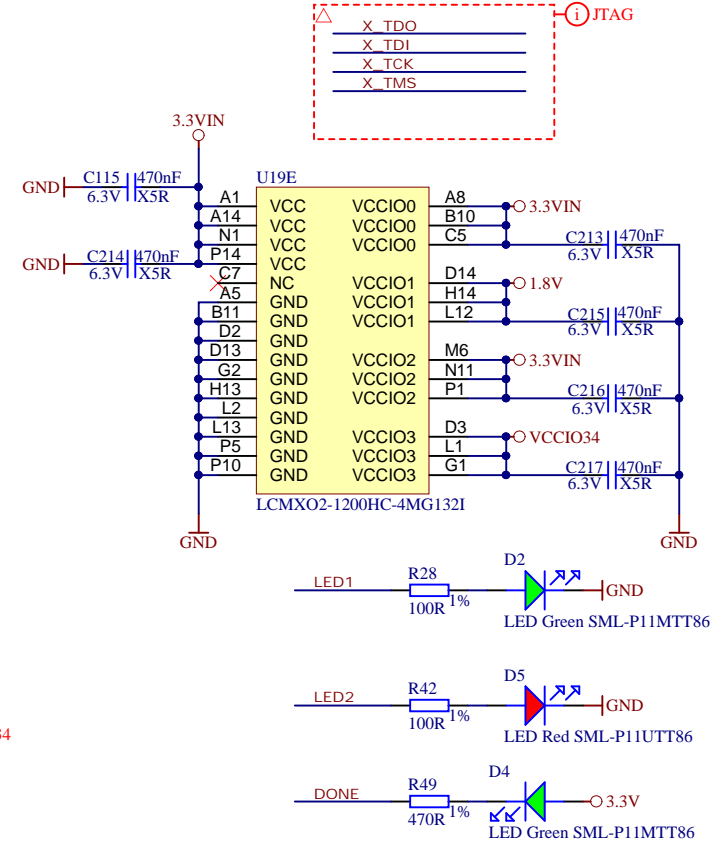
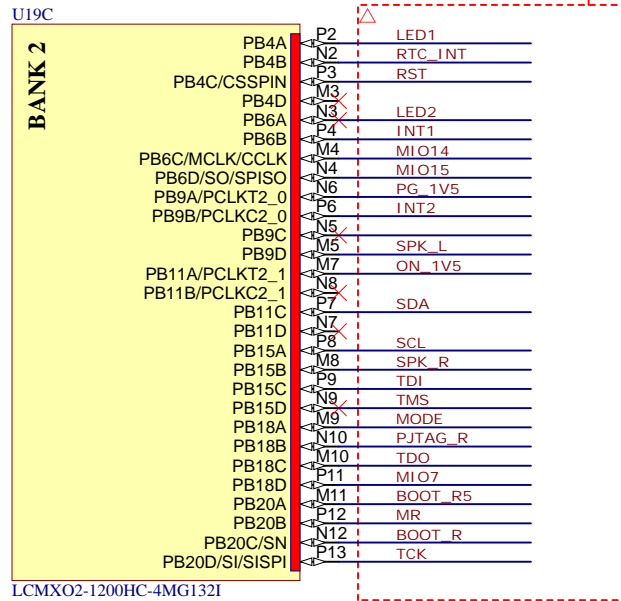
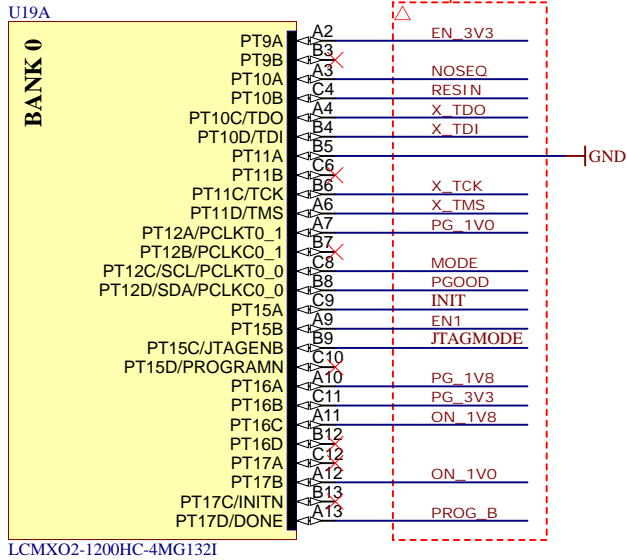
S25FL256SAGBH120



Title: GigaZee - MIO - Config		
A4	Number: TE0720 TE0720-L11F	Rev. 03
Date: 2015-10-12	Copyright: 2013 Trenz Electronic GmbH	Page4 of 15
Filename: MIO-BANKS.SchDoc		



Title: GigaZee - B13		
A4	Number: TE0720 TE0720-L1IF	Rev. 03
Date: 2015-10-12	Copyright: 2013 Trenz Electronic GmbH	Page5 of 15
Filename: B13.SchDoc		



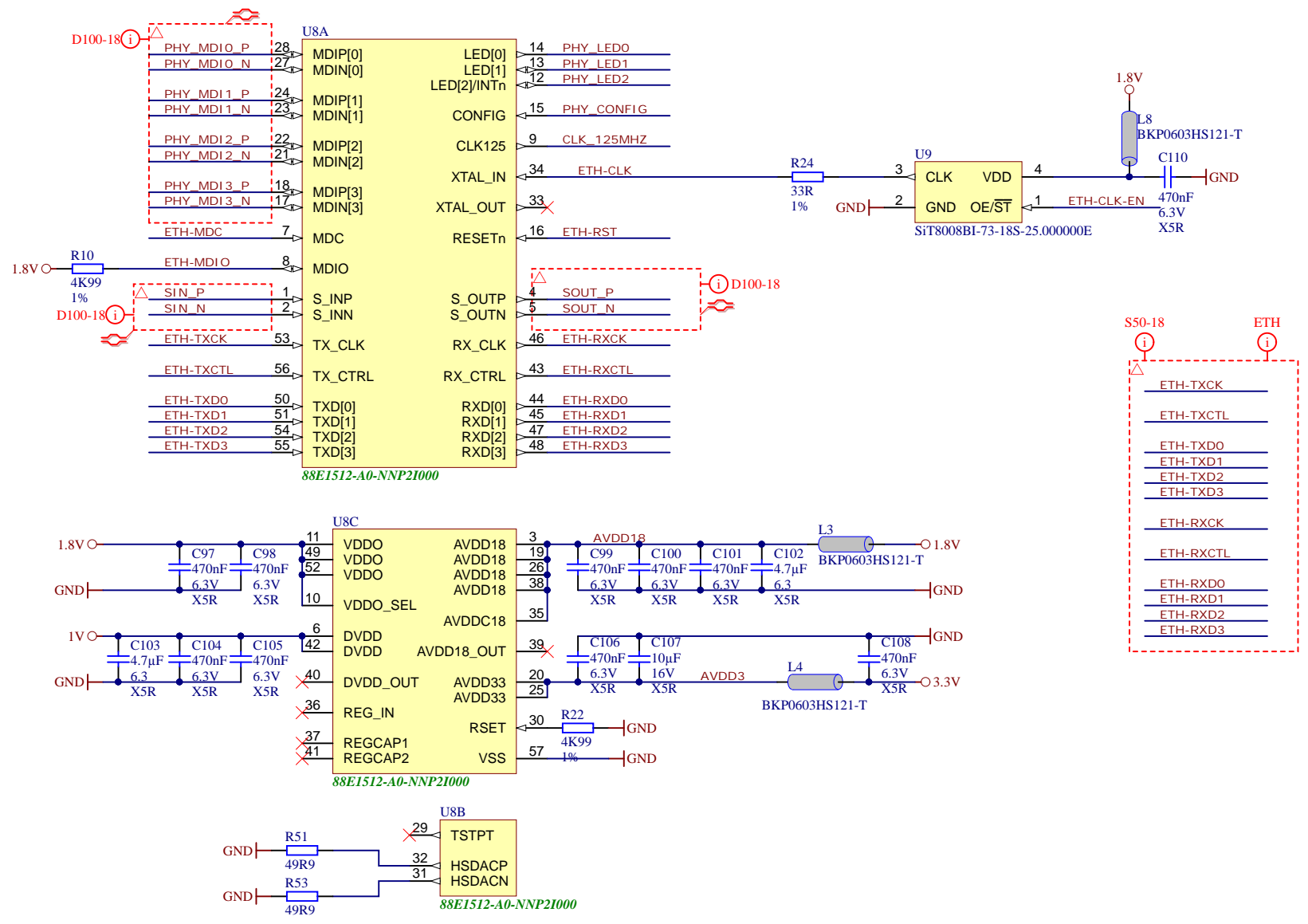
Title: GigaZee - System Controller		
A4	Number: TE0720 TE0720-L11F	Rev. 03
Date: 2015-10-12	Copyright: 2013 Trenz Electronic GmbH	Page6 of 15
Filename: SystemController.SchDoc		


A

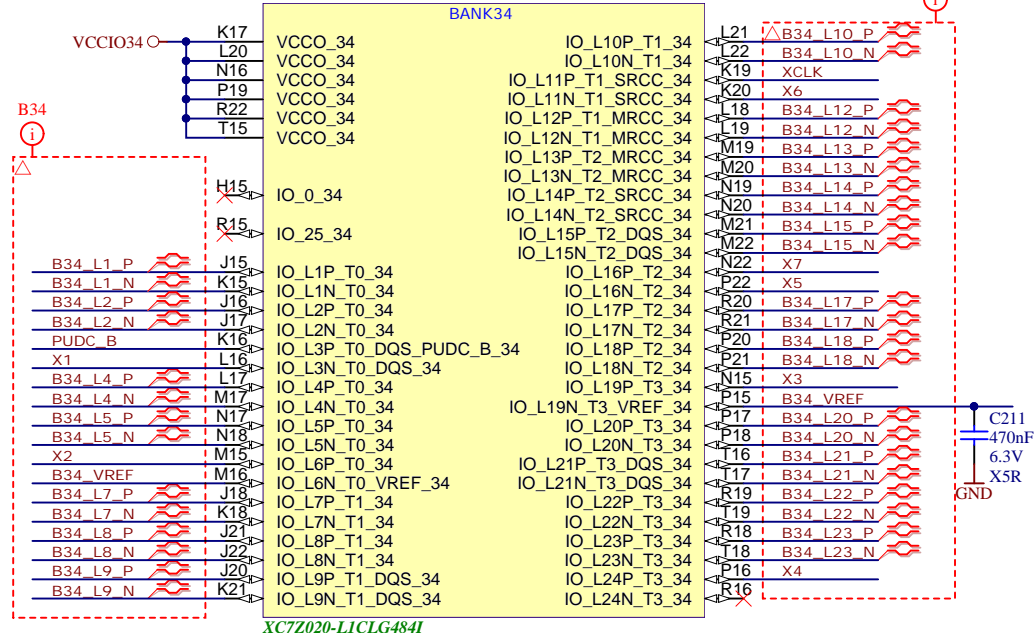
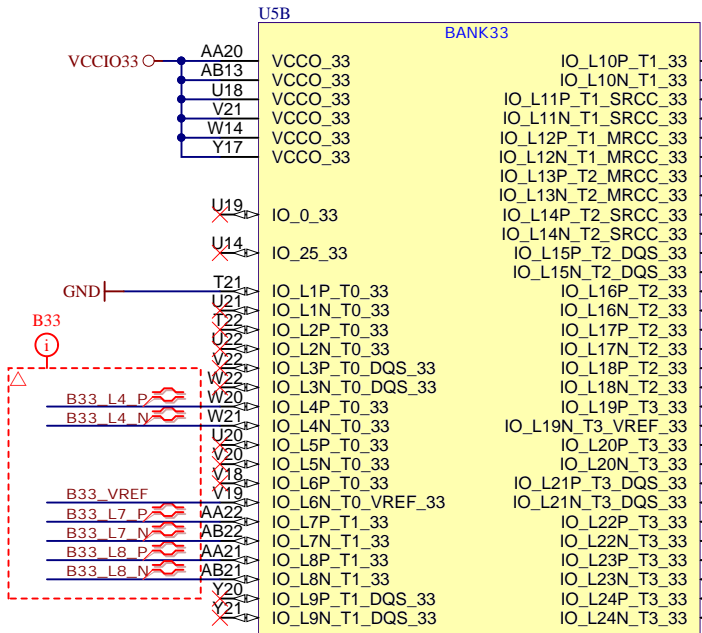
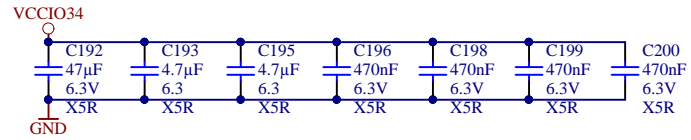
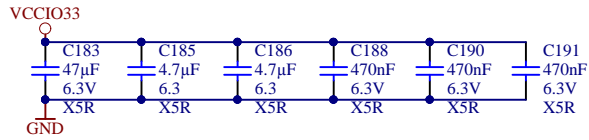
B

C

D



			Title: GigaZee - Ethernet	
			A4	Number: TE0720 TE0720-L11F
Date: 2015-10-12		Copyright: 2013 Trenz Electronic GmbH		Page 7 of 15
Filename: ETH-PHY.SchDoc				

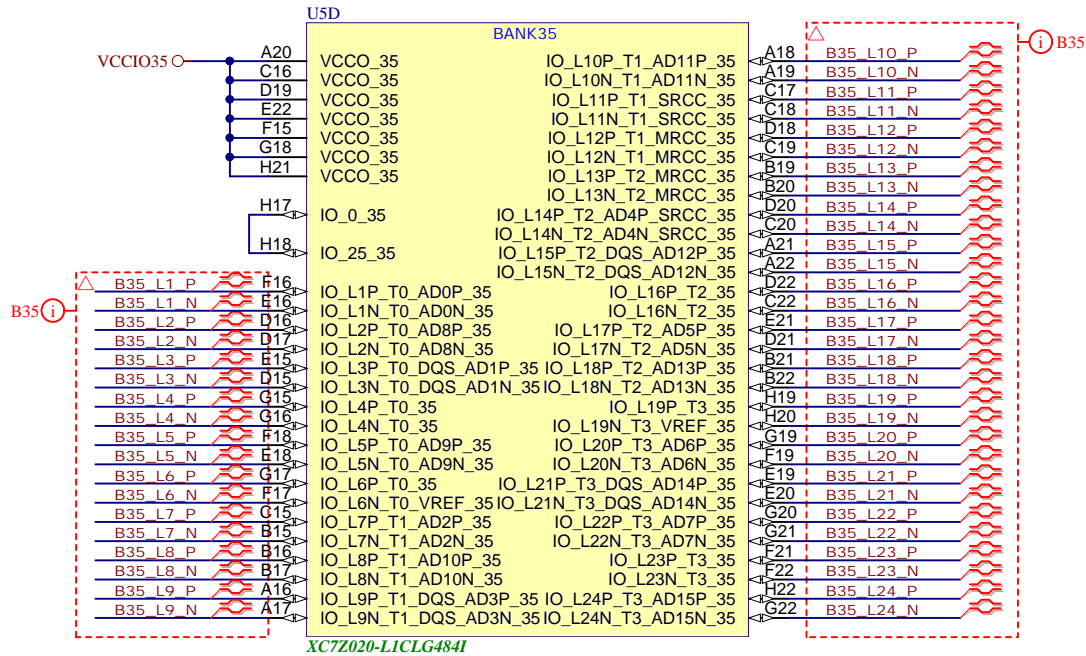
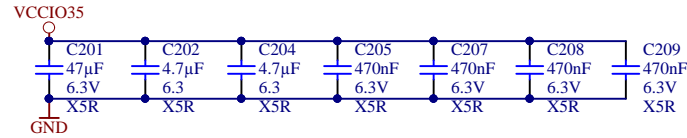


XC7Z020-L1CLG484I

XC7Z020-L1CLG484I



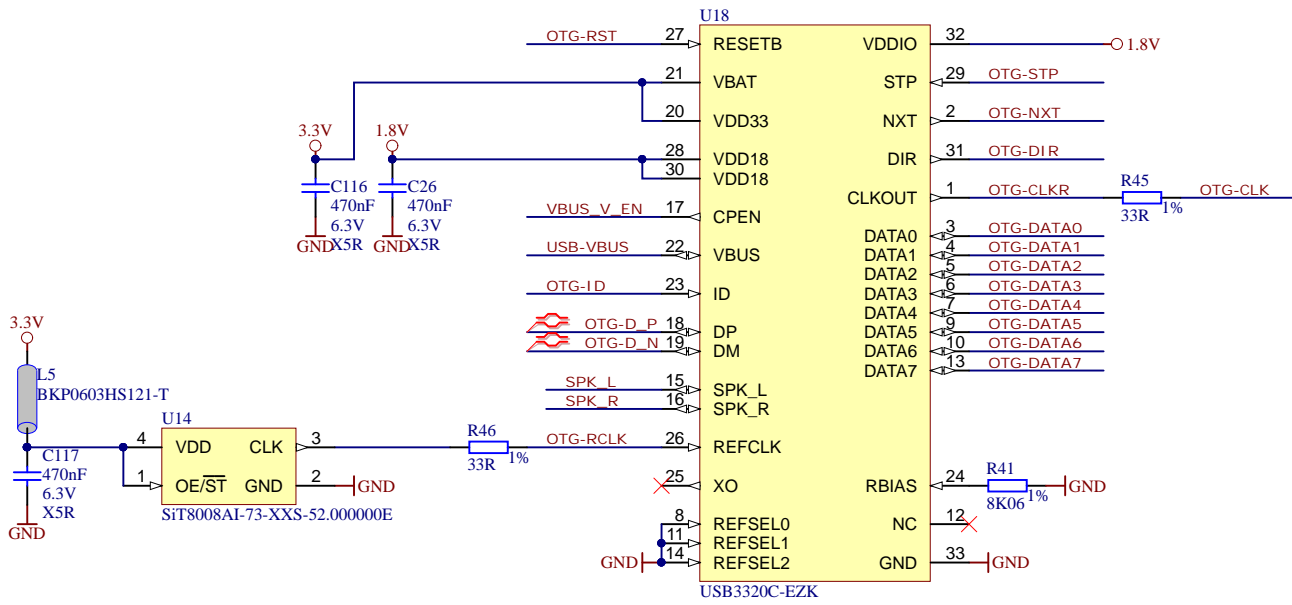
Title: GigaZee - B33 - B34		
A4	Number: TE0720 TE0720-L11F	Rev. 03
Date: 2015-10-12	Copyright: 2013 Trenz Electronic GmbH	Page8 of 15
Filename: B33-B34.SchDoc		



XC7Z020-L1CLG4841



Title: GigaZee - B35		
A4	Number: TE0720 TE0720-L11F	Rev. 03
Date: 2015-10-12	Copyright: 2013 Trenz Electronic GmbH	Page9 of 15
Filename: B35.SchDoc		

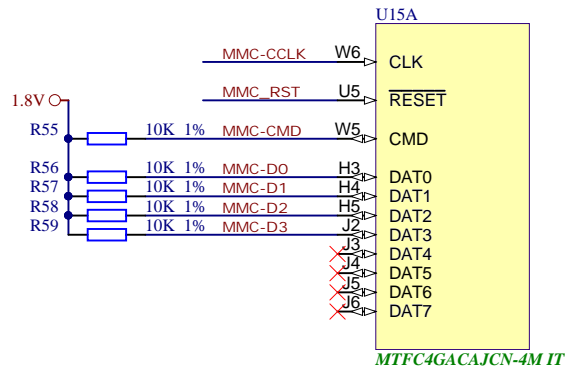


	Title: GigaZee - USB		
	A4	Number: TE0720 TE0720-L11F	Rev. 03
	Date: 2015-10-12	Copyright: 2013 Trenz Electronic GmbH	Page 10 of 15
	Filename: USB-PHY.SchDoc		

U15D

A4	NC	NC	R2
A6	NC	NC	R3
A9	NC	NC	R12
A11	NC	NC	R13
B2	NC	NC	R14
B13	NC	NC	T1
D1	NC	NC	T2
D14	NC	NC	T3
H1	NC	NC	T12
H2	NC	NC	T13
H8	NC	NC	T14
H9	NC	NC	U1
H10	NC	NC	U2
H11	NC	NC	U3
H12	NC	NC	U12
H13	NC	NC	U13
H14	NC	NC	U14
J1	NC	NC	V1
J7	NC	NC	V2
J8	NC	NC	V3
J9	NC	NC	V12
J10	NC	NC	V13
J11	NC	NC	V14
J12	NC	NC	W1
J13	NC	NC	W2
J14	NC	NC	W3
K1	NC	NC	W7
K3	NC	NC	W8
K7	NC	NC	W9
K8	NC	NC	W10
K9	NC	NC	W11
K10	NC	NC	W12
K11	NC	NC	W13
K12	NC	NC	W14
K13	NC	NC	Y1
K14	NC	NC	Y3
L1	NC	NC	Y6
L2	NC	NC	Y7
L3	NC	NC	Y8
L4	NC	NC	Y9
L12	NC	NC	Y10
L13	NC	NC	Y11
L14	NC	NC	Y12
M1	NC	NC	Y13
M2	NC	NC	Y14
M3	NC	NC	AA1
M12	NC	NC	AA2
M13	NC	NC	AA8
M14	NC	NC	AA9
N1	NC	NC	AA11
N2	NC	NC	AA12
N3	NC	NC	AA13
N12	NC	NC	AA14
N13	NC	NC	AE1
N14	NC	NC	AE14
P1	NC	NC	AG2
P2	NC	NC	AG13
P12	NC	NC	AH4
P13	NC	NC	AH6
P14	NC	NC	AH9
R1	NC	NC	AH11

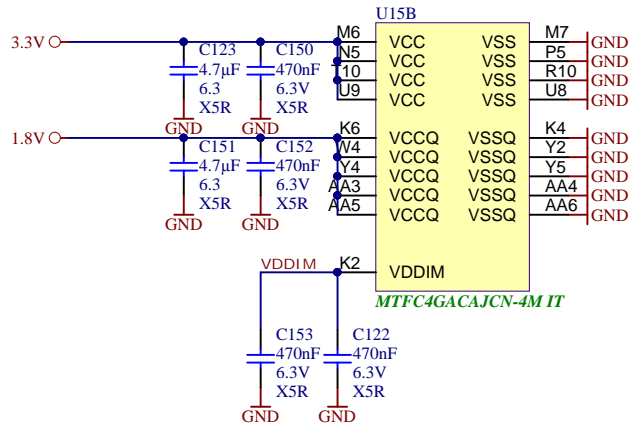
MTFC4GACAJCN-4M IT



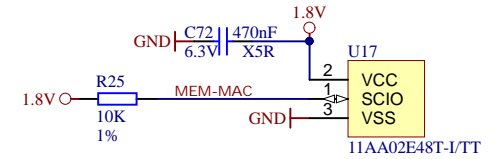
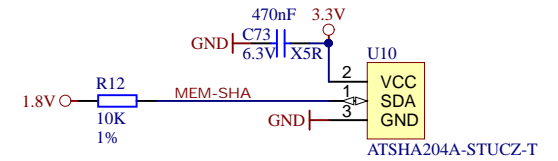
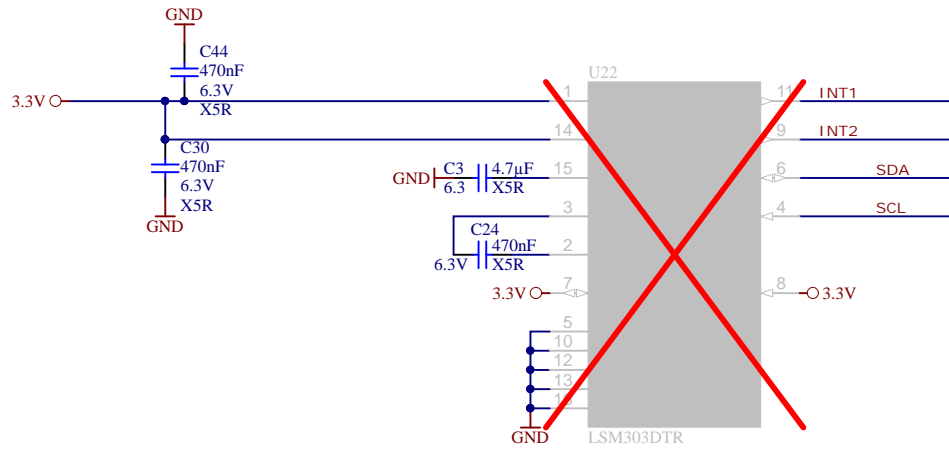
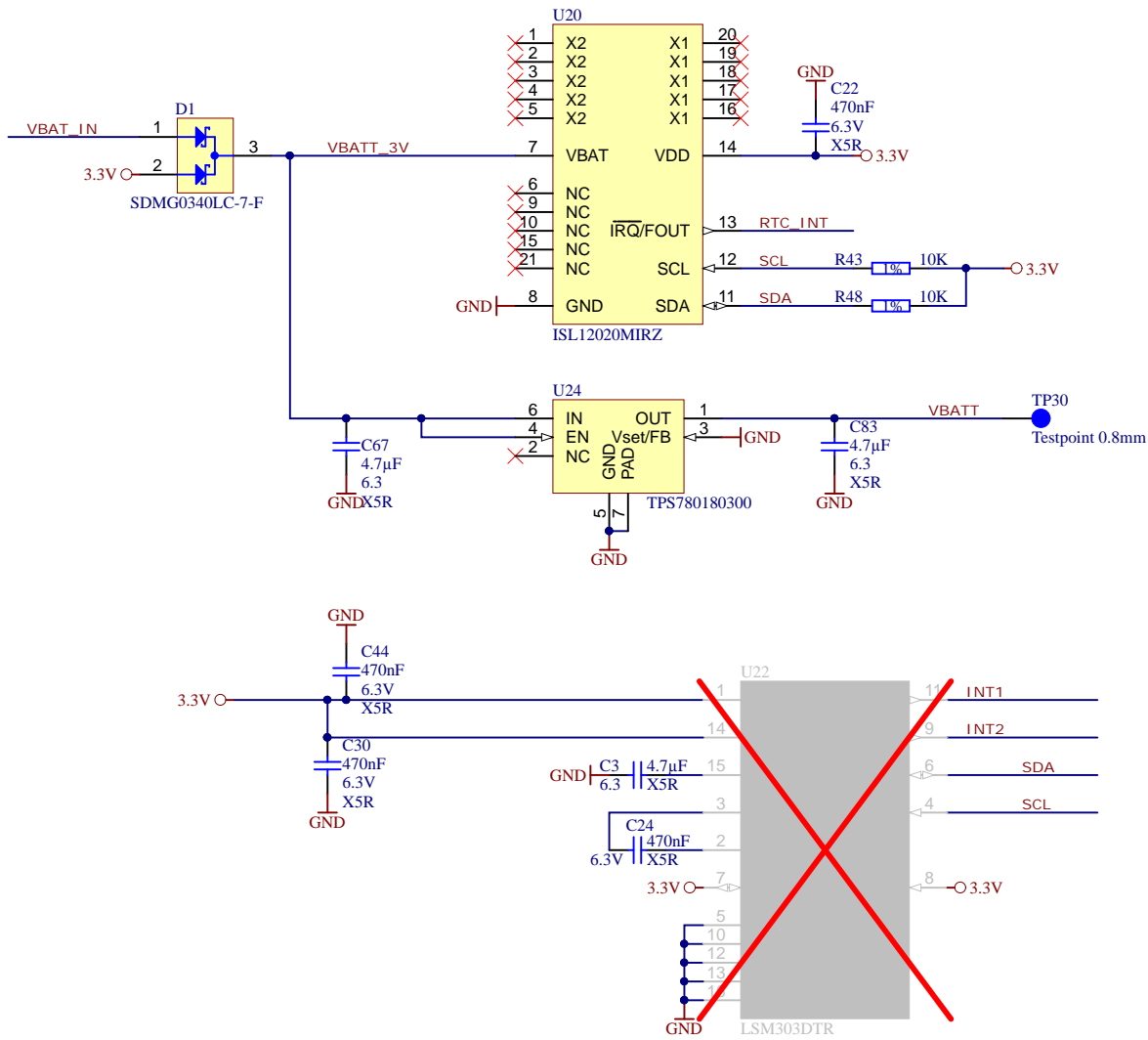
U15C


H6	RFU
H7	RFU
K5	RFU
M5	RFU
M8	RFU
M9	RFU
M10	RFU
N10	RFU
P3	RFU
P10	RFU
R5	RFU
T5	RFU
U6	RFU
U7	RFU
U10	RFU
AA7	RFU
AA10	RFU

MTFC4GACAJCN-4M IT



Title: GigaZee - eNAND		
A4	Number: TE0720 TE0720-L11F	Rev. 03
Date: 2015-10-12	Copyright: 2013 Trenz Electronic GmbH	Page 11 of 15
Filename: eMMC.SchDoc		



		Title: GigaZee - RTC, MEMS, SHA, MAC	
		A4	Number: TE0720 TE0720-L11F
Date: 2015-10-12	Copyright: 2013 Trenz Electronic GmbH	Page 12 of 15	
Filename: SENSOR-RTC.SchDoc			

A

A

B

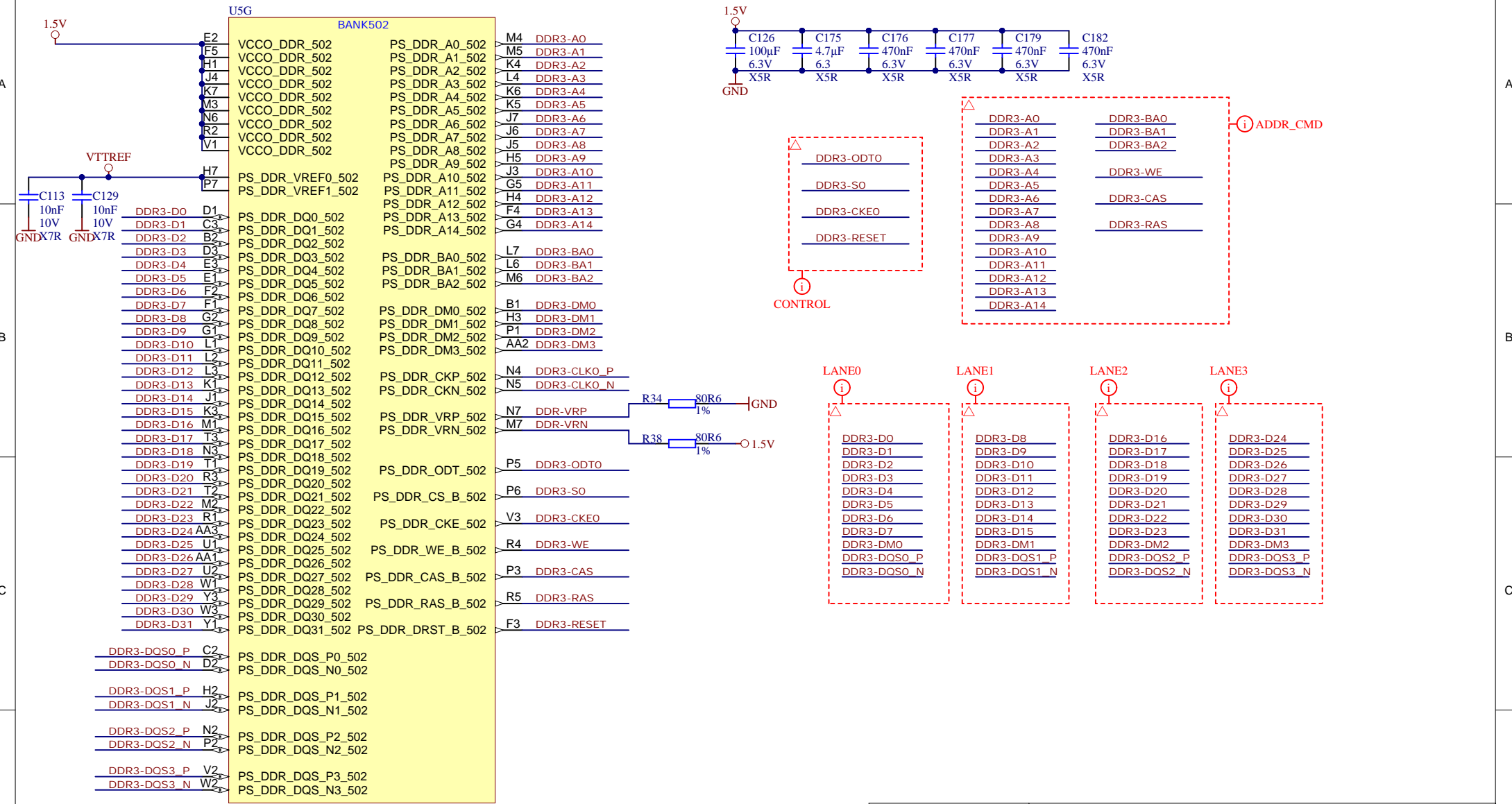
B

C

C

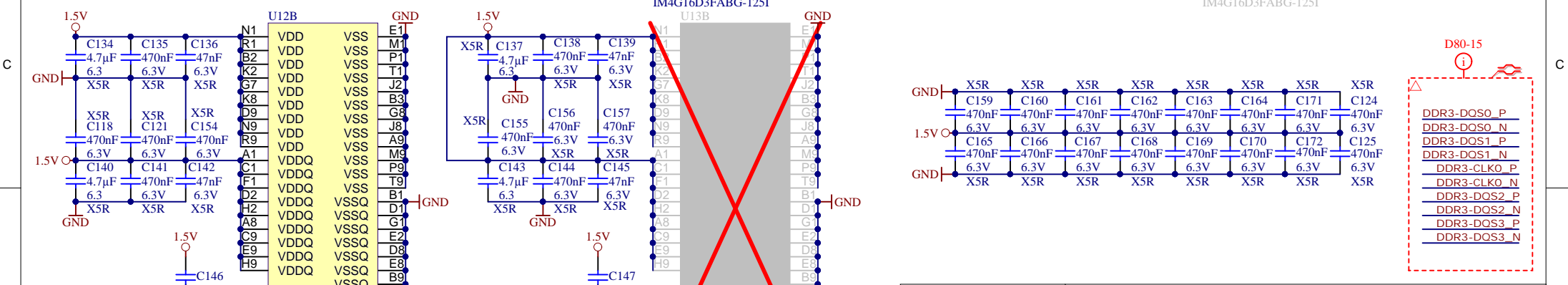
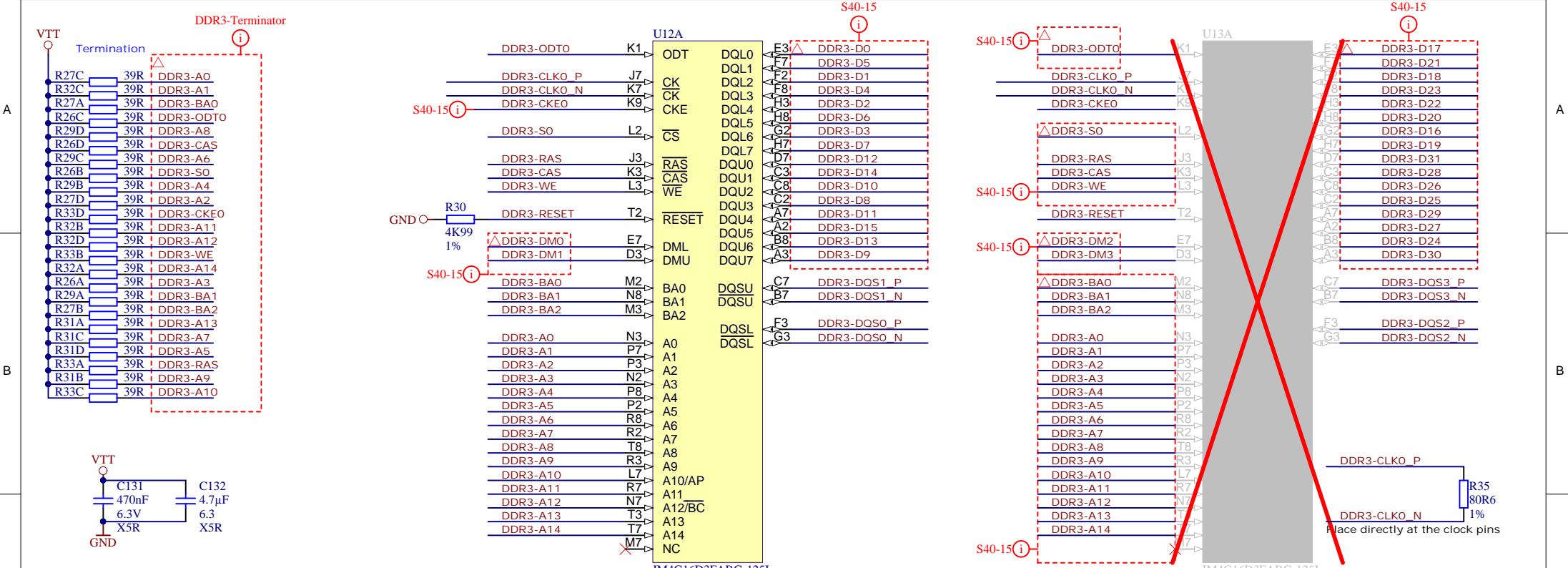
D

D



XC7Z020-L1CLG484I

	Title: GigaZee - B502		
	A4	Number: TE0720 TE0720-L11F	Rev. 03
	Date: 2015-10-12	Copyright: 2013 Trenz Electronic GmbH	Page13 of 15
	Filename: PS-DDR.SchDoc		



Title: GigaZee - DDR3		
A4	Number: TE0720 TE0720-L11F	Rev. 03
Date: 2015-10-12	Copyright: 2013 Trenz Electronic GmbH	Page 14 of 15
Filename: DDR3-RAM.SchDoc		

1

2

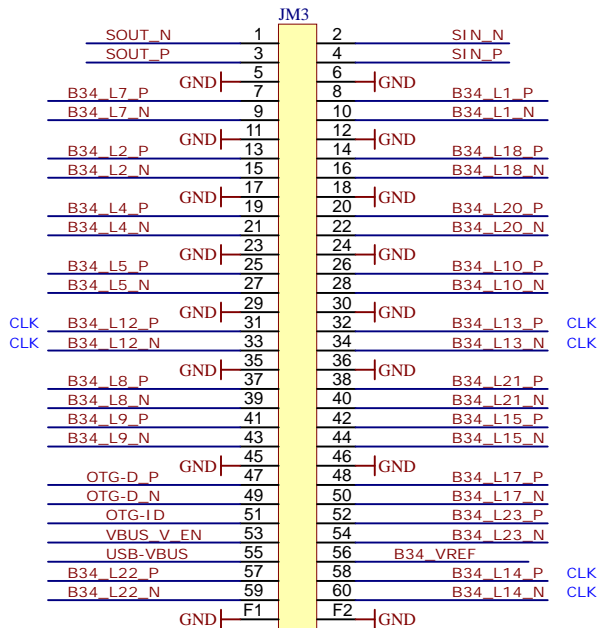
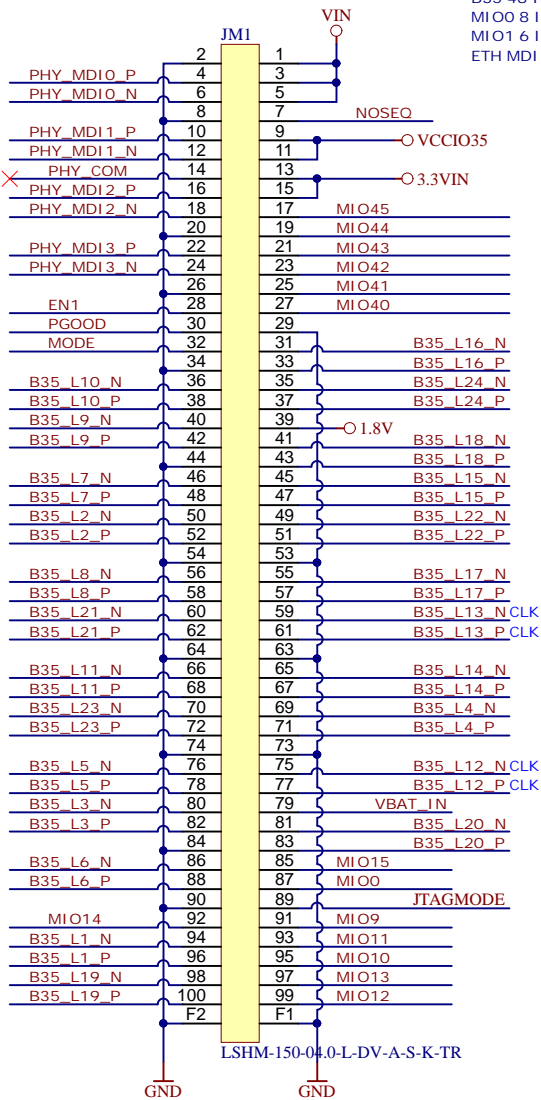
3

4

B35 48 IO, 24 LVDS Pairs
 MIO0 8 IO, 3.3V
 MIO1 6 IO 1.8V
 ETH MDI Copper

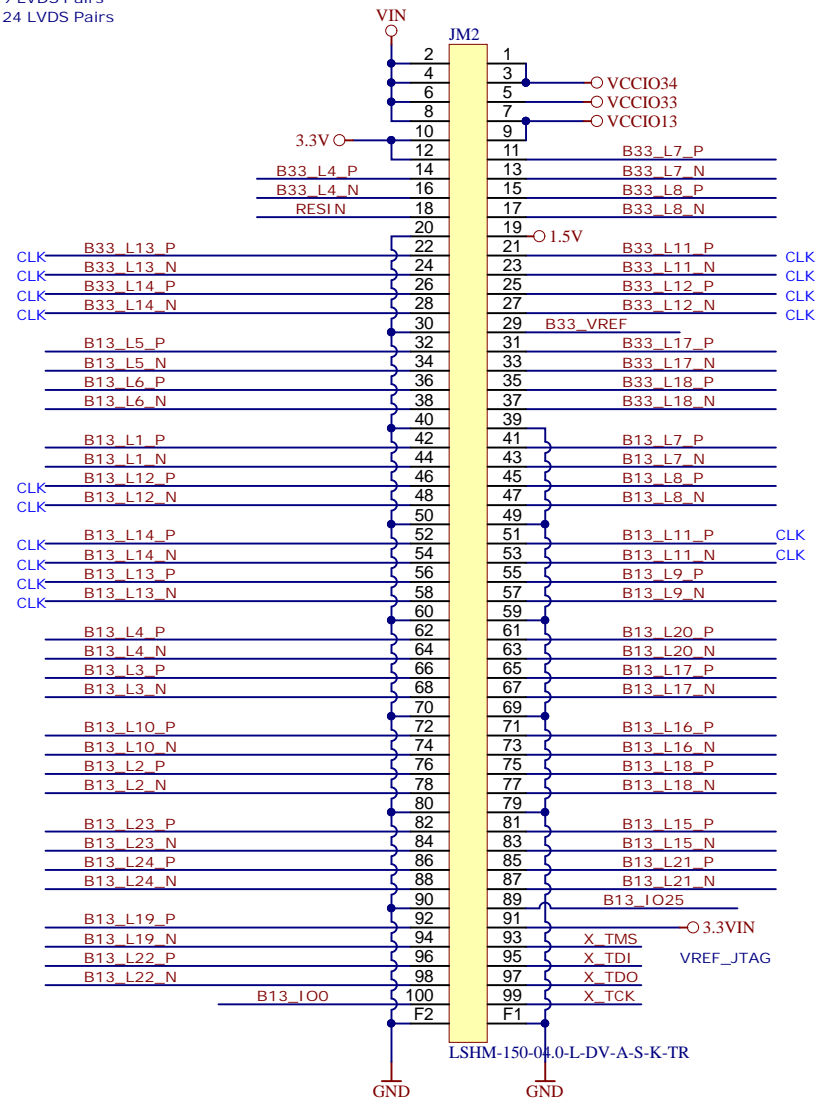
B34 36 IO, 18 LVDS Pairs
 USB OTG
 ETH SGMII

B33 18 IO, 9 LVDS Pairs
 B13 48 IO, 24 LVDS Pairs
 B13 2 IO



LSHM-130-04.0-L-DV-A-S-K-TR

Top of Board



LSHM-150-04.0-L-DV-A-S-K-TR



Title: GigaZee - B2B Connector		
A4	Number: TE0720 TE0720-L1IF	Rev. 03
Date: 2015-10-12	Copyright: 2013 Trenz Electronic GmbH	Page 15 of 15
Filename: B2B-Connectors.SchDoc		

1

2

3

4