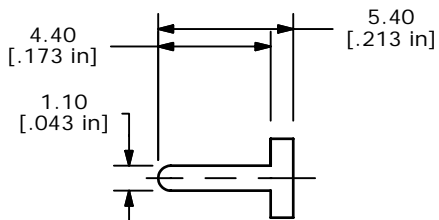
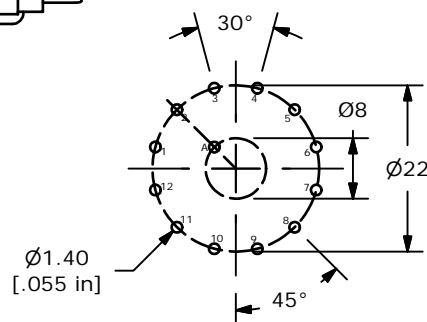
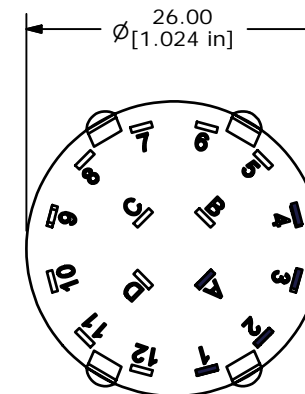
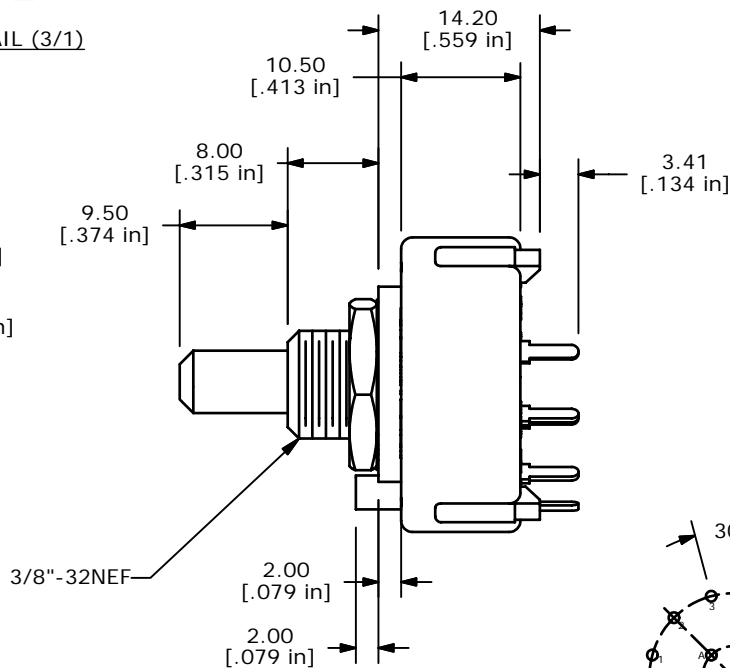
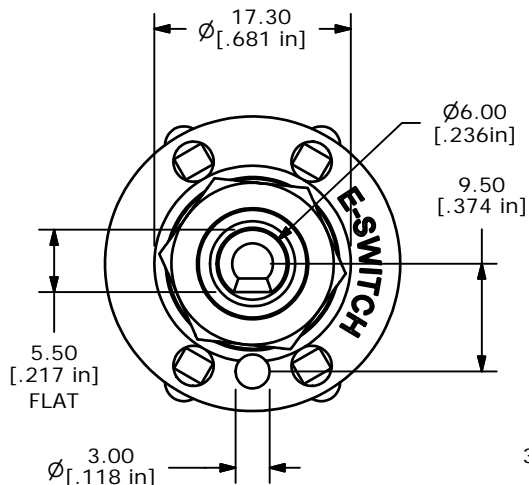
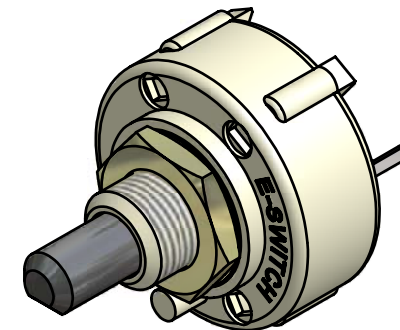


CONTACT CONFIGURATION
TIMING (BBM) NON-SHORTING



TERMINAL DETAIL (3/1)



▲ P.C. MOUNTING
VIEWED FROM
DIRECTION A

- NOTE:
1. ALL DIMENSIONS IN MM [INCH].
 2. GENERAL TOLERANCE: X.X=±0.4
X.XX=±0.25
 3. TERM. NOS. FOR REFERENCE ONLY.
 4. CONTACT MATERIAL: SILVER
 - ▲ 5. CONTACT RATING: 0.3A @ 125VAC
 6. CONTACT RATING: (NON-SWITCHING) 5A
 7. OPERATING FORCE 800±300gm-cm
 8. OPERATING TEMP: -30°C TO 85°C
 9. CIRCUIT SP: 4 POSITION 30° INDEX.
 10. DIELECTRIC STRENGTH: 500VAC FOR 1 MIN.
 11. HARDWARE SUPPLIED ON SWITCH:
LOCKWASHER, HEXNUT, STOP RING
 12. ▲ DENOTES CRITICAL PARAMETER.
 13. 2002/95/EC (ROHS) COMPLIANT



TITLE KC14A9.501NPS

A	17486	RELEASED FOR PRODUCTION	7/26/07	BF
REV	PCR NO	DESCRIPTION	DATE	BY

SCALE	DATE	DR	DWG	REV
2:1	7/26/2007	BF	G510363	A

THE INFORMATION CONTAINED IN THIS DOCUMENT IS PROPRIETARY
TO E-SWITCH AND IS NOT TO BE COPIED OR TRANSFERRED