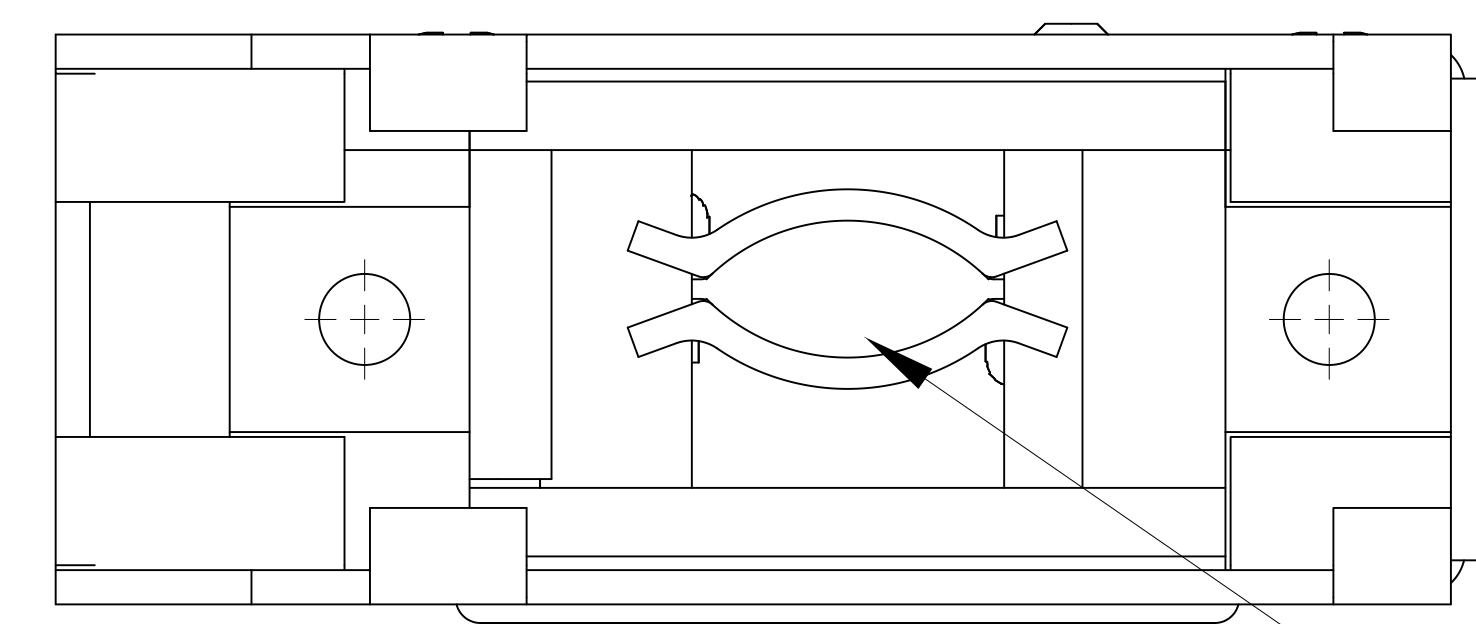
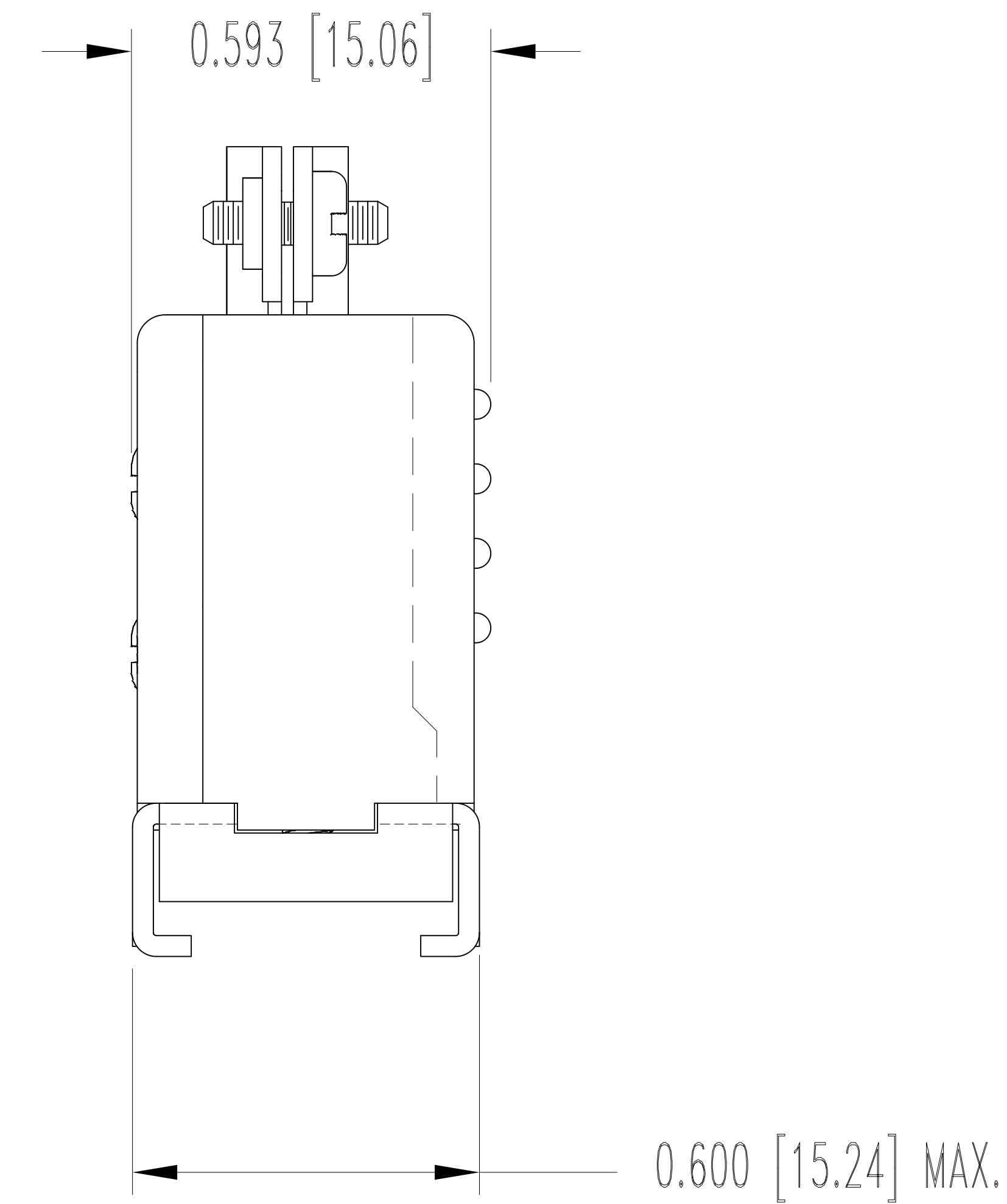
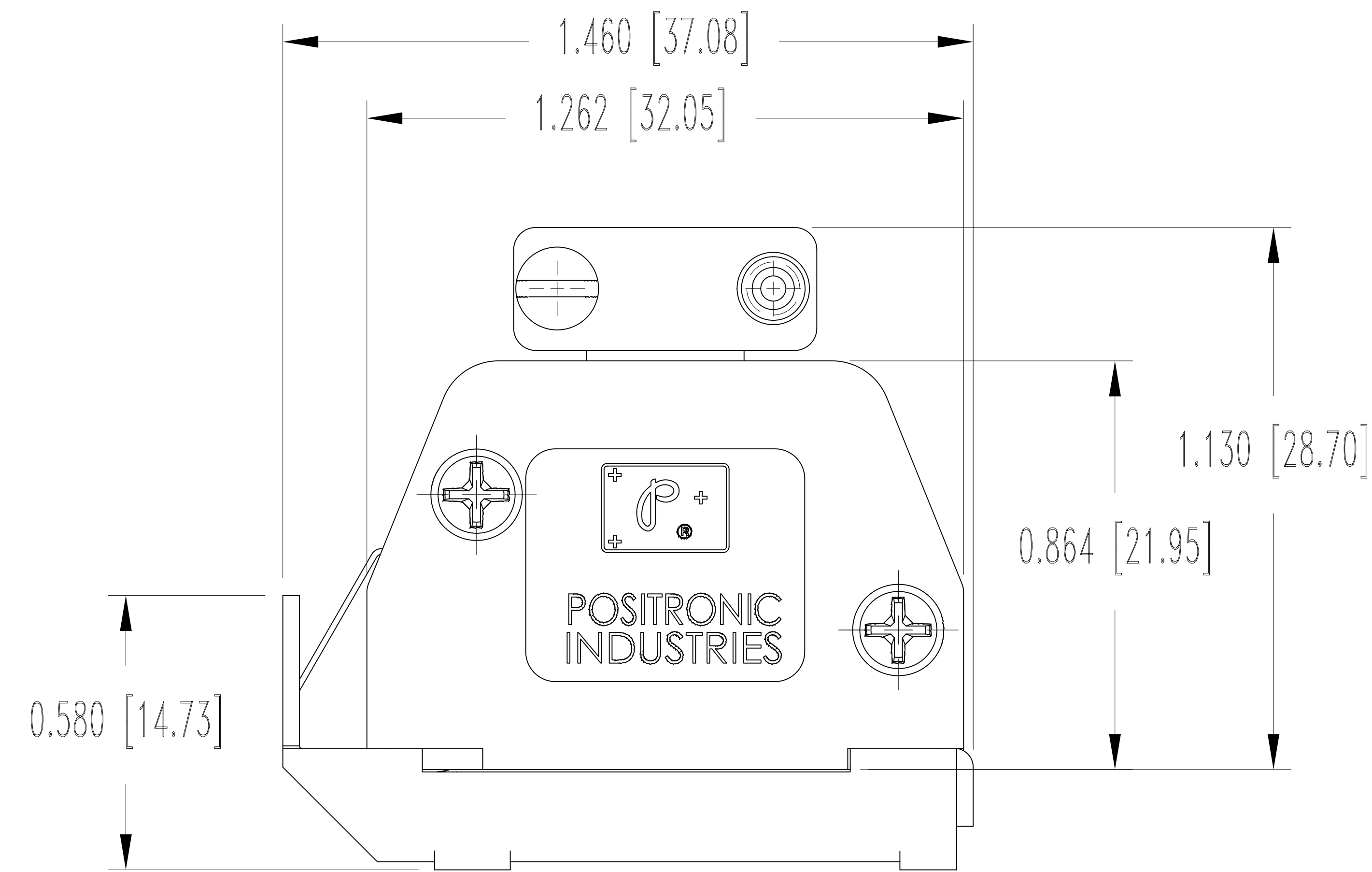
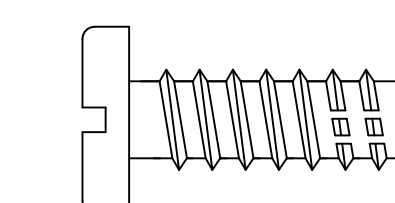


DATE	REV	REVISION RECORD	APP	DR	CK
08-07 19	B	ECO 68763	RK	SA	AB

THIS DRAWING CONTAINS INFORMATION PROPRIETARY TO POSITRONIC AND IT'S SUBSIDIARIES. POSITRONIC BELIEVES THE DATA ON THIS DRAWING TO BE RELIABLE, SINCE THE TECHNICAL INFORMATION IS GIVEN FREE OF CHARGE, THE USER EMPLOYS SUCH INFORMATION AT HIS OWN DISCRETION AND RISK. POSITRONIC ASSUMES NO RESPONSIBILITY FOR RESULTS OBTAINED OR DAMAGES INCURRED FROM USE OF SUCH INFORMATION IN WHOLE OR IN PART.



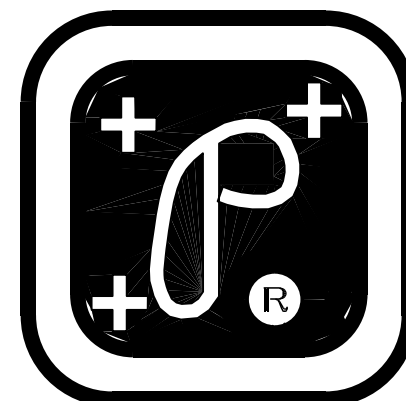
CABLE OPENING  
 $\varnothing 0.145[\varnothing 3.43]$  MIN.  
 $\varnothing 0.280[\varnothing 7.11]$  MAX.



CONNECTOR MOUNTING  
 SCREW 2X

NOTES:

- MATERIALS AND FINISHES:  
 HOOD AND HOOD COVER: GLASS FILLED POLYESTER, 94V-0, COLOR: BLACK.  
 LOCK ARM AND CABLE CLAMPS: STEEL WITH NICKEL PLATE.  
 SPRING LOCK ARM: BERYLLIUM COPPER, NICKEL PLATE.  
 COVER SCREW: STEEL, ZINC PLATE WITH CHROMATE SEAL.  
 CABLE CLAMP SCREW: BRASS, ZINC PLATE WITH CHROMATE SEAL.
- DETAILED PRODUCT, MECHANICAL AND ELECTRICAL INFORMATION IS AVAILABLE IN THE LATEST D-SUB ACCESSORY PRODUCT PUBLICATION AT [CONNECTPOSITRONIC.COM](http://CONNECTPOSITRONIC.COM).
- DIMENSIONS ARE IN INCHES [MILLIMETERS].

	<b>POSITRONIC INDUSTRIES INC.</b> SPRINGFIELD, MISSOURI 65801		SCALE	DRAWN BY
	D HOOD		N.T.S.	M. ENEA
DECIMAL TOL. $\pm 0.015 [0.38]$	TITLE		APPROVED BY	
D9000JVLO		R WILLIAMS		
ANGULAR TOL. $\pm 5^\circ$	DATE	DRAWING NUMBER	REV.	
5-8-01		SK3744	B	