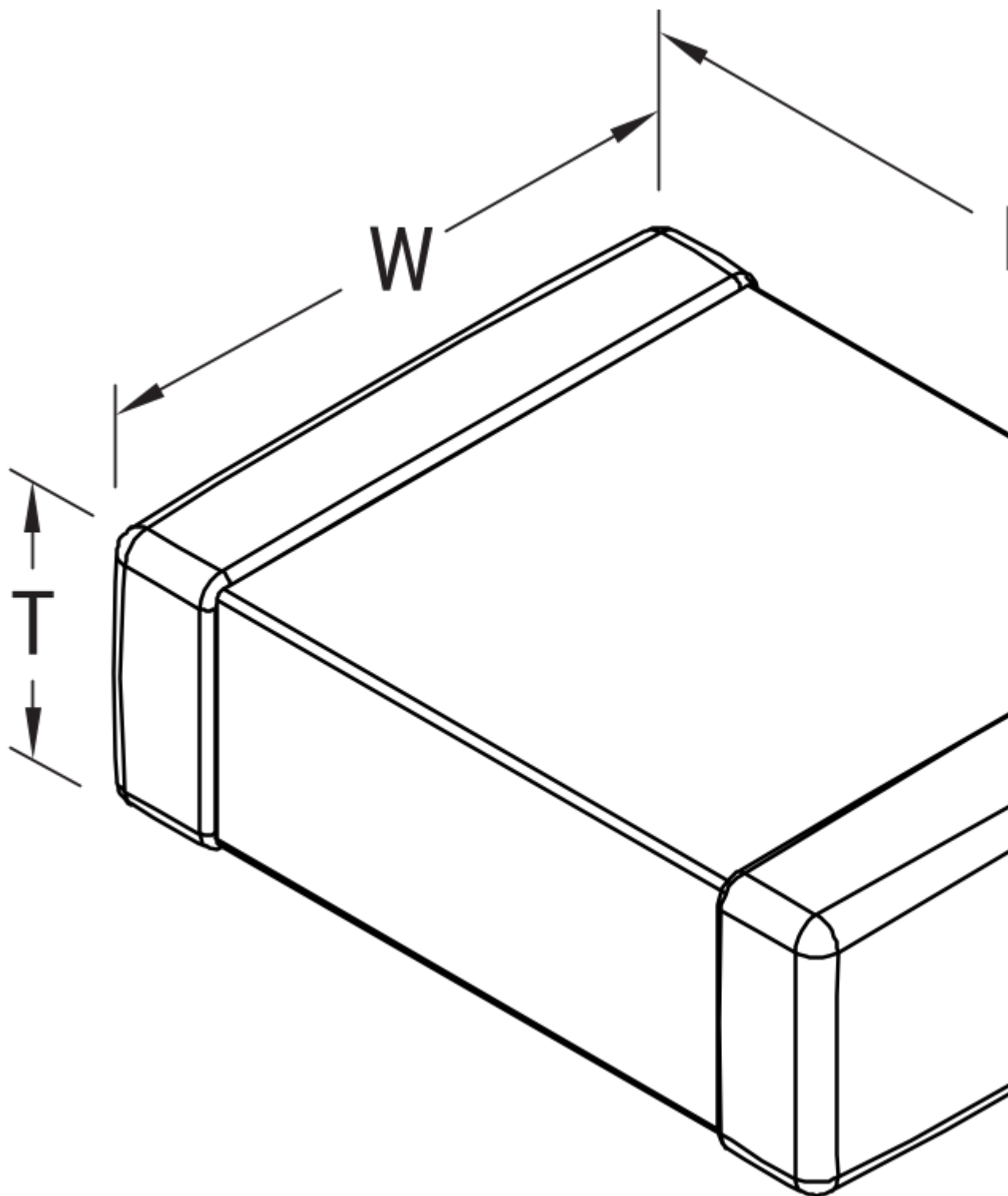


CBR04C559B3GAC

CBR-SMD RF C0G, Ceramic, 5.5 pF, +/-0.1 pF, 25 VDC, C0G, SMD, Fixed, RF, Ultra High Q, Low ESR, Class I, 0402



Click [here](#) for the 3D model.

Dimensions

Chip Size 0402

L 1mm +/-0.05mm

W 0.5mm +/-0.05mm

T 0.5mm +/-0.05mm

Dimensions

B 0.25mm +0.05/-0.1mm

Packaging Specifications

Packaging T&R, 180mm, Plastic Tape

Packaging Quantity 10000

General Information

Series CBR-SMD RF C0G
Style SMD Chip
Description SMD, Fixed, RF, Ultra High Q, Low ESR, Class I
Features Ultra High Q, Low ESR, Class I
RoHS Yes
Termination Tin
Marking No
AEC-Q200 No
Component Weight 1.4 mg
Notes Solder Reflow Only.
Shelf Life 78 Weeks
MSL 1

Specifications

Capacitance 5.5 pF
Capacitance Tolerance +/-0.1 pF
Voltage DC 25 VDC
Dielectric Withstanding Voltage 62.5 VDC
Temperature Range -55/+125°C
Temperature Coefficient C0G
Dissipation Factor 0.196%
Aging Rate 0% Loss/Decade Hour
Insulation Resistance 10 GOhms
Quality Factor 510

Statements of suitability for certain applications are based on our knowledge of typical operating conditions for such applications, but are not intended to constitute - and we specifically disclaim - any warranty concerning suitability for a specific customer application or use. This Information is intended for use only by customers who have the requisite experience and capability to determine the correct products for their application. Any technical advice inferred from this Information or otherwise provided by us with reference to the use of our products is given gratis, and we assume no obligation or liability for the advice given or results obtained.

Generated 5/18/2023 - 9ca5a7ef-95ae-43c8-8836-fc49811eb825

© 2006 - 2023 KEMET

Generated 5/18/2023 - 9ca5a7ef-95ae-43c8-8836-fc49811eb825

© 2006 - 2023 KEMET