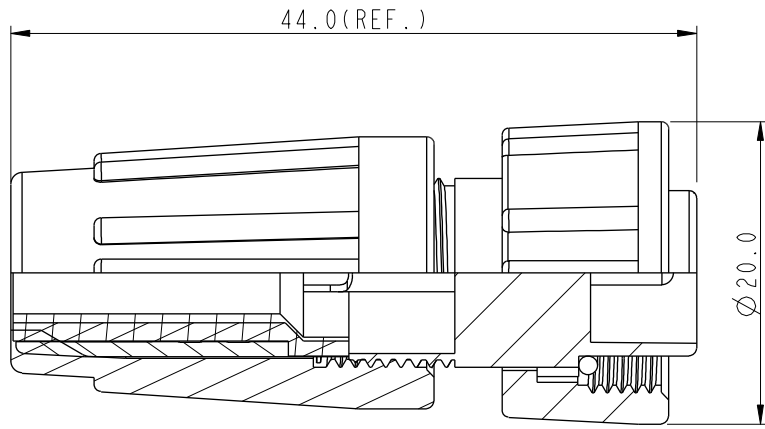
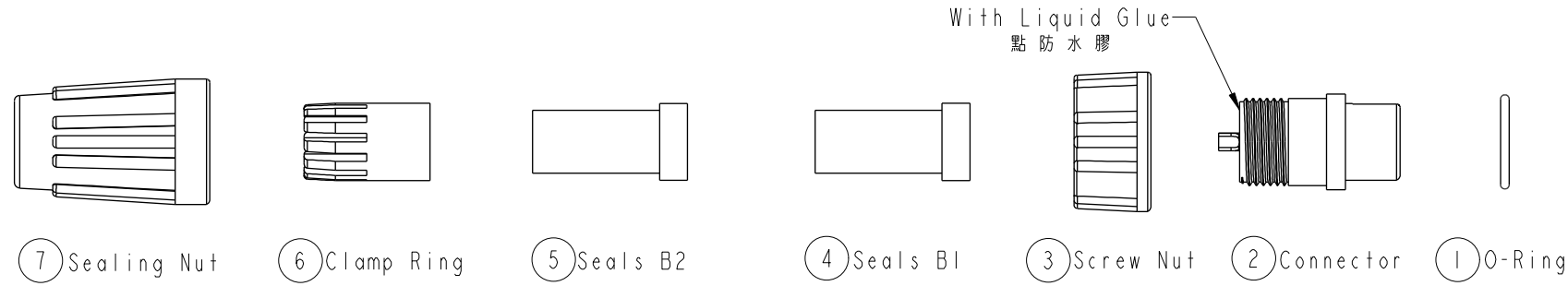


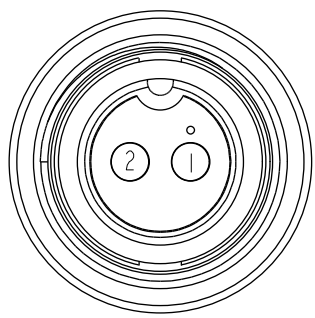
THIS DOCUMENT IS SUBJECT TO CHANGE WITHOUT NOTICE. IT IS CONFIDENTIAL AND A PROPERTY OF Amphenol LTW. DISCLOSURE TO THIRD PARTY HAS TO BE AUTHORIZED BY Amphenol LTW.

REV.	ECN NO.	DATE	SIGN	DESCRIPTION



**ALTW**  
 DCC. DEPT.  
 CONFIDENTIAL  
 2012-03-20  
**ISSUED**

**ALTW**  
 CONFIDENTIAL  
 2012-03-14  
 R&D DEPT.



Pin Assignments  
Front View 前視圖

Note:

- \* Seals B1 for Cable OD:  $\varnothing 4.5\text{mm} \sim \varnothing 6.5\text{mm}$   
(防水墊圈B1線徑:  $\varnothing 4.5\text{mm} \sim \varnothing 6.5\text{mm}$ )
- \* Seals B2 for Cable OD:  $\varnothing 3.5\text{mm} \sim \varnothing 5.3\text{mm}$   
(防水墊圈B2線徑:  $\varnothing 3.5\text{mm} \sim \varnothing 5.3\text{mm}$ )
- \* One Set Unassembled in One PE Bag  
(每一組未組裝, 放置於一個PE袋, 並封口)
- \*  $\text{CC}$  Important Dimension.
- \* Waterproof Rate : IP66
- \* Ring: Black, EPDM
- \* Housing: Black, Nylon+GF
- \* Pin: Copper Alloy, Gold Plated
- \* Screw Nut: Black, Nylon+GF
- \* Seals: Black, EPDM
- \* Clamping Ring: Black, Nylon
- \* Sealing Nut: Black, Nylon
- \* PE Bag: 90mm\*85mm
- \* Liquid Glue: Clear

UNIT: mm		
TOLERANCE	±0.25	±0.1
.X	±0.1	±0.05
.XX	±0.05	±1°
.XXX	±1°	
ANGLES		

TITLE Standard, Assy Screw 2Pin F Conn M Pin			
SCALE 1:1	SIZE A4	SHEET 1 OF 1	
REV. A	WC-REV. A.4	$\text{CC}$ : Inspection item	

**Amphenol LTW**  
 安費諾亮泰企業股份有限公司

ITEM NO. BB-02BFMA-SL6001	DRAWN BY SamChang	DATE 2012-03-14
DWG NO. BB-02BFMA-SL6001	CHECKED BY Jeffrey	DATE 2012-03-20
CUSTOMER ALTW	APPROVED BY Kevin	DATE 2012-03-20