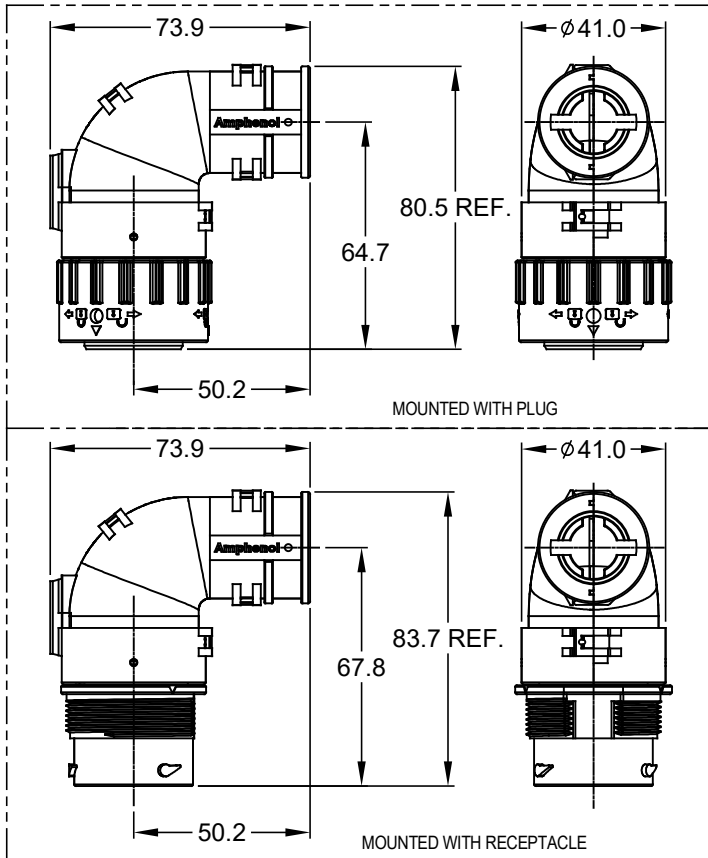
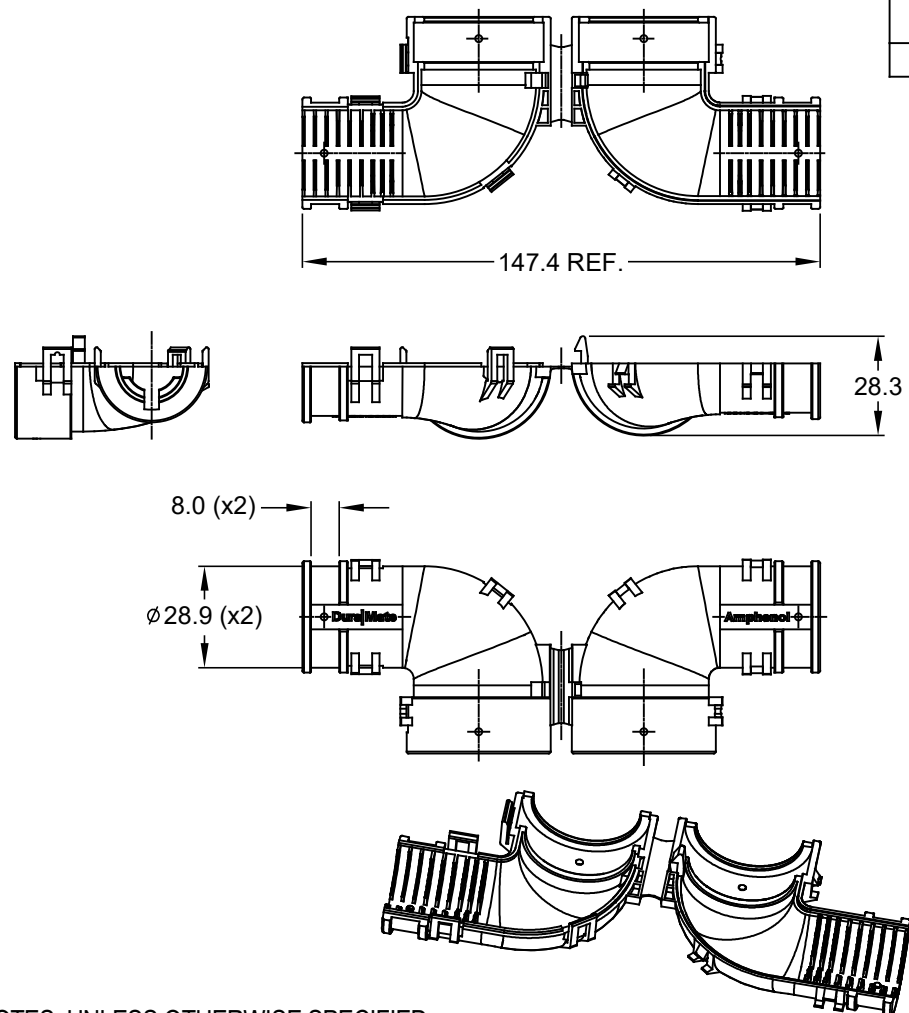


REVISIONS					
REV	ECO	DESCRIPTION	DATE	BY	APPR
01		FIRST ISSUE	Jan 22-2018	WILBER	TOMMY



NOTES: UNLESS OTHERWISE SPECIFIED

1. MATERIAL: THERMOPLASTIC,COLORS: BLACK
- 2.USE WITH AHDP04/06-18-*P/S-WTA
- 3.CABLE EXIT DESIGNED FOR CORRUGATED TUBE NW 13,17 AND 19.
4. RoHS COMPLIANT
5. ALL DIMENSIONS ARE FOR REFERENCE USE ONLY.

AHDPBS-015-1805		DESCRIPTION		ITEM
QUANTITY	PART NUMBER			
MATERIALS LIST				
<p>UNLESS OTHERWISE SPECIFIED</p> <p>1) All dimensions are in metric(mm).</p> <p>2) Tolerances are as follows:</p> <p>1 PL DEC ±0.50 Fractions ±1/64</p> <p>2 PL DEC ±0.15 Angles ±1°</p> <p>3 PL DEC ±0.08</p> <p>3) Note reference = </p>		<p>SIGNATURES DATE</p> <p>DRAWN: Wilber Liu Jan 22-2018</p> <p>CHECKED: Orion Li Jan 22-2018</p> <p>ENGINEER:</p> <p>APPROVAL: TOMMY Xie Jan 22-2018</p>		<p>Amphenol</p> <p>Sine Systems - www.amphenol-sine.com 44724 Morley Drive Clinton Township, MI 48036</p>
<p>MATERIAL SPECIFICATIONS:</p>		<p>CUSTOMER:</p>		<p>BACK SHELL,COVER ,90 ANGLE AHDP SERIES, SIZE 18</p>
<p>PROCESS SPECIFICATIONS:</p>		<p>THIS DRAWING IS SUPPLIED FOR INFORMATION ONLY. DESIGN FEATURES, SPECIFICATIONS AND PERFORMANCE DATA SHOWN HEREON ARE THE PROPERTY OF THE AMPHENOL CORPORATION. NO RIGHTS OF REPRODUCTION ARE IMPLIED. ALL DIMENSIONS ARE SUBJECT TO NORMAL MANUFACTURING VARIATIONS.</p>		<p>SIZE TYPE DWG NO. REVISION</p> <p>A C- AHDPBS-015-1805 01</p>
<p>NEXT ASSY:</p>		<p>SCALE: NONE</p>		<p>SHEET 1 OF 1</p>