



LAYOUT SHOWN AS EXAMPLE

Keying Shown as example

CHARACTERISTICS

- Standard : Based on MIL-DTL-38999 Series III
- Shell Material : Aluminium
- Shell Plating : Nickel
- Insulator : Thermoplastic
- Contacts : Copper Alloy
- Seals & Grommet : Silicon Elastomer
- Contact Plating : Gold over copper Alloy 0.8µm minimum
- Durability : 500 Mating cycles
- Delivered without Souriau contacts
- Temperature Range : -65°C to +200°C
- Salt Spray : 48 hours
- Mass : 51.48 g ± 10%

| Connector dimension | |
|---------------------|----------------|
| Dim | Nominal |
| A | 52.4±0.3 |
| B | 36.5+0.1/-0.15 |
| R | 32.5Max |
| S | 49.2±0.4 |
| W | 3+0.9/-0.1 |
| VV THREAD | M31x1-6g |

SOURIAU shall not be liable for any non-conformity or damage due to a use of the Products which does not comply with the Specifications issued by either of the Parties or by a third party (professional recommendation, technical notice.)

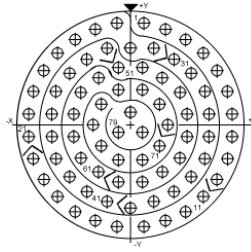
| | |
|---------|-----------------------------|
| Country | Jurisdiction & Control List |
| FR | Not Listed |

PN: 8D721F35SNL

| | | | |
|----------------|---------------------------------------|--------------------------------|---|
| A | 08-11-2016 | First Release | |
| ISS | DATE | Latest modification - by | MOD N° |
| Designed By: | | Date: | CUSTOMER DRAWING |
| TITLE | Aluminium Receptacle 8D series | | |
| SCALE | NA | General linear Tolerances: ±-- | NPRDS / PROJECT 859 |
| SOURIAU | WWW.SOURIAU.COM | | This document is the property of SOURIAU it must not be reproduced or communicated without permission |
| FORMAT | A3 | | SOURIAU DRG N° 8D721F35SNL-C |
| | | | SHEET 1/2 |

| | | | | | | | | | | |
|----------------|------------------------|---|---|----|------------------------------------|----|---|---|---|------------------------|
| BASIC SERIES: | 8D | 7 | - | 21 | F | 35 | S | N | L | Delivered W/O Contacts |
| SHELL TYPE : | Jam nut Receptacle | | | | ORIENTATION : N | | | | | |
| CONTACT TYPE : | Standard Crimp Contact | | | | CONTACT TYPE : SOCKET(500 Matings) | | | | | |
| SHELL SIZE : | 21 | | | | CONTACT LAYOUT : 21-35 | | | | | |
| PLATING : | F = Nickel | | | | | | | | | |

Contact Layout



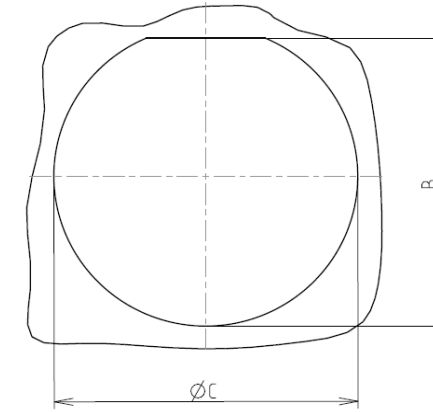
| Contacts (Insert arrangement 21-35) | | | | | |
|--|--------------|--------------|---------------------|-------------|-------------|
| Contact position ID | Location | | Contact position ID | Location | |
| | X-axis (mm) | Y-axis (mm) | | X-axis (mm) | Y-axis (mm) |
| 1 | +053 (1.35) | +426 (10.82) | 41 | -098 (2.49) | -322 (8.18) |
| 2 | +146 (3.71) | +404 (10.26) | 42 | -184 (4.67) | -280 (7.11) |
| 3 | +232 (5.89) | +362 (9.19) | 43 | -258 (6.55) | -220 (5.59) |
| 4 | -306 (7.77) | +302 (7.67) | 44 | -311 (7.90) | -141 (3.58) |
| 5 | +365 (9.27) | +227 (5.77) | 45 | -332 (8.43) | -048 (1.22) |
| 6 | +406 (10.31) | +141 (3.58) | 46 | -332 (8.43) | +048 (1.22) |
| 7 | +427 (10.85) | +048 (1.22) | 47 | -311 (7.90) | +141 (3.58) |
| 8 | +427 (10.85) | -048 (1.22) | 48 | -258 (6.55) | +220 (5.59) |
| 9 | +406 (10.31) | -141 (3.58) | 49 | -184 (4.67) | +280 (7.11) |
| 10 | +365 (9.27) | -227 (5.77) | 50 | -098 (2.49) | +322 (8.18) |
| 11 | +306 (7.77) | -302 (7.67) | 51 | -048 (1.22) | +241 (6.12) |
| 12 | +232 (5.89) | -362 (9.19) | 52 | +048 (1.22) | +241 (6.12) |
| 13 | +146 (3.71) | -404 (10.26) | 53 | +134 (3.40) | +199 (5.05) |
| 14 | +053 (1.35) | -426 (10.82) | 54 | +208 (5.28) | +139 (3.53) |
| 15 | -053 (1.35) | -426 (10.82) | 55 | +237 (6.02) | +048 (1.22) |
| 16 | -146 (3.71) | -404 (10.26) | 56 | +237 (6.02) | -048 (1.22) |
| 17 | -232 (5.89) | -362 (9.19) | 57 | +208 (5.28) | -139 (3.53) |

| Contacts (Insert arrangement 21-35) | | | | | |
|--|--------------|--------------|---------------------|-------------|-------------|
| Contact position ID | Location | | Contact position ID | Location | |
| | X-axis (mm) | Y-axis (mm) | | X-axis (mm) | Y-axis (mm) |
| 18 | -306 (7.77) | -302 (7.67) | 58 | +134 (3.40) | -199 (5.05) |
| 19 | -365 (9.27) | -227 (5.77) | 59 | +048 (1.22) | -241 (6.12) |
| 20 | -406 (10.31) | -141 (3.58) | 60 | -048 (1.22) | -241 (6.12) |
| 21 | -427 (10.85) | -048 (1.22) | 61 | -134 (3.40) | -199 (5.05) |
| 22 | -427 (10.85) | +048 (1.22) | 62 | -208 (5.28) | -139 (3.53) |
| 23 | -406 (10.31) | +141 (3.58) | 63 | -237 (6.02) | -048 (1.22) |
| 24 | -365 (9.27) | +227 (5.77) | 64 | -237 (6.02) | +048 (1.22) |
| 25 | -306 (7.77) | +302 (7.67) | 65 | -208 (5.28) | +139 (3.53) |
| 26 | -232 (5.89) | +362 (9.19) | 66 | -134 (3.40) | +199 (5.05) |
| 27 | -146 (3.71) | +404 (10.26) | 67 | -048 (1.22) | +146 (3.71) |
| 28 | -053 (1.35) | +426 (10.82) | 68 | +048 (1.22) | +146 (3.71) |
| 29 | +000 (0.00) | +323 (8.20) | 69 | +125 (3.18) | +090 (2.29) |
| 30 | +098 (2.49) | +322 (8.18) | 70 | +155 (3.94) | +000 (0.00) |
| 31 | +184 (4.67) | +280 (7.11) | 71 | +125 (3.18) | -090 (2.29) |
| 32 | +258 (6.55) | +220 (5.59) | 72 | +048 (1.22) | -146 (3.71) |
| 33 | +311 (7.90) | +141 (3.58) | 73 | -048 (1.22) | -146 (3.71) |
| 34 | +332 (8.43) | +048 (1.22) | 74 | -125 (3.18) | -090 (2.29) |
| 35 | +332 (8.43) | -048 (1.22) | 75 | -155 (3.94) | +000 (0.00) |
| 36 | +311 (7.90) | -141 (3.58) | 76 | -125 (3.18) | +090 (2.29) |
| 37 | +258 (6.55) | -220 (5.59) | 77 | +000 (0.00) | +053 (1.35) |
| 38 | +184 (4.67) | -280 (7.11) | 78 | +048 (1.22) | -029 (0.74) |
| 39 | +098 (2.49) | -322 (8.18) | 79 | -048 (1.22) | -029 (0.74) |
| 40 | +000 (0.00) | -347 (8.81) | --- | --- | --- |

| (Applicable to MIL-DTL-38999 only) | | | | | | |
|------------------------------------|-----------------|--------------------|---------------|----------------|------------------|------------|
| Shell size | Arrangement no. | Number of contacts | Size contacts | Service rating | Contact location | Supersedes |
| 21 | -35 | 79 | 22D | M | ALL | MS27531-35 |

Panel cutout

JAM NUT RECEPTACLE (TYPE 7)



Max. thickness panel for receptacle: Type 7: 3.2 mm

| Dim | Nominal |
|-----|---------------|
| B | 37.08+0/-0.25 |
| ØC | 38.35+0.25/-0 |

SOURIAU shall not be liable for any non-conformity or damage due to a use of the Products which does not comply with the Specifications issued by either of the Parties or by a third party (professional recommendation, technical notice.)

| Country | Jurisdiction & Control List |
|---------|-----------------------------|
| FR | Not Listed |

PN: 8D721F35SNL

| | | | |
|----------------|-------------------------------------|---|-------------------------------|
| A | 08-11-2016 | First Release | |
| ISS | DATE | Latest modification - by | MOD N° |
| Designed By: | | Date: | CUSTOMER DRAWING |
| TITLE | Aluminium Receptacle 8D series | | |
| SCALE | | General linear Tolerances: ±-- | NPRDS / PROJECT 859 |
| NA | | This document is the property of SOURIAU it must not be reproduced or communicated without permission | |
| SOURIAU | WWW.SOURIAU.COM | | |
| FORMAT | SOURIAU DRG N° 8D721F35SNL-C | | SHEET 2/2 |