

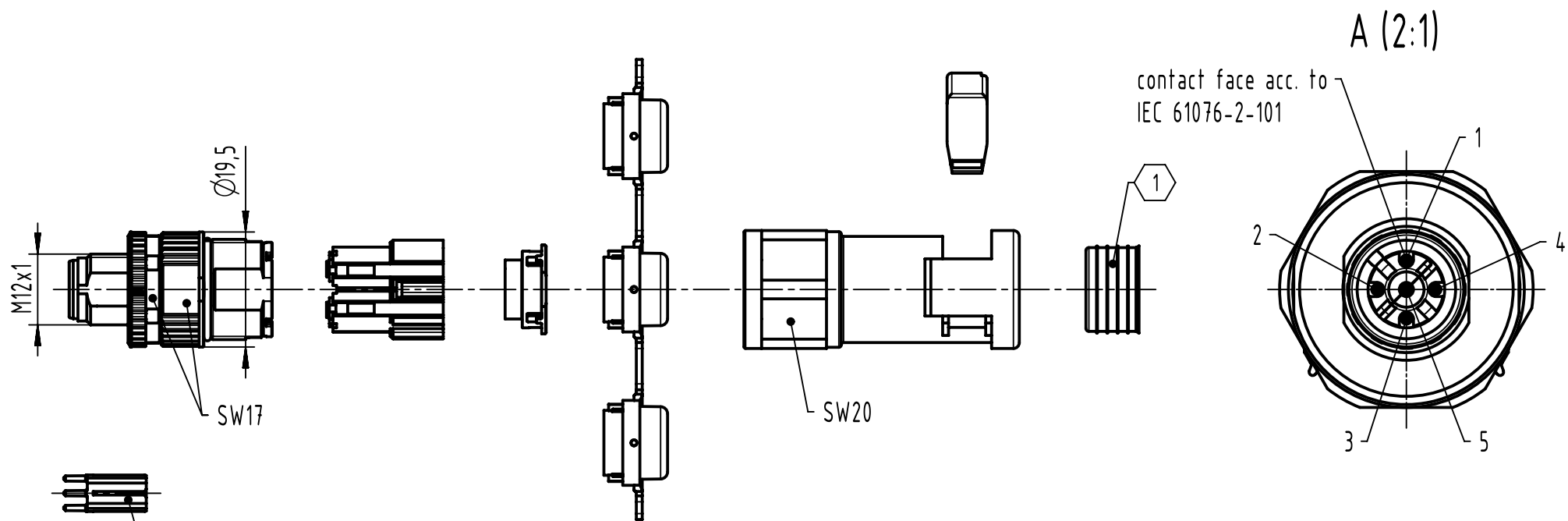
1 2 3 4 5 6

A

B

C

D

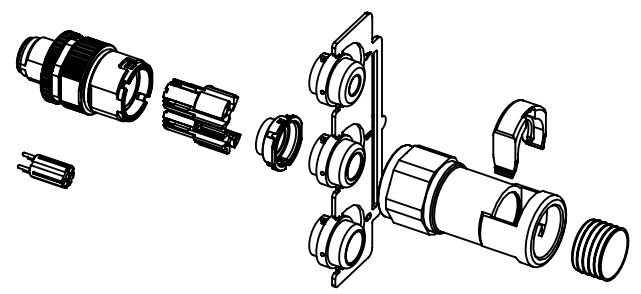


assembly aid enclosed

order contacts separately

| cable Ø     | wire gauge | part-no.    |
|-------------|------------|-------------|
| 4.5 - 8.8mm | AWG 26-22  | 09670005576 |
|             | AWG 24-20  | 09670008576 |
|             | AWG 22-18  | 09670003576 |

1 suitable for conduit with NW 10mm



|   |  |   |                         |                           |  |                        |
|---|--|---|-------------------------|---------------------------|--|------------------------|
|   | All Dimensions in mm<br>Original Size DIN A4 | Scale<br>1:1  | Free size tol.          |                           | Ref.<br>Sub.   |                        |
|   | All rights reserved<br>Department EL PD      | Created by<br>DYCKC   | Inspected by<br>EISFELD | Standardisation<br>302077 | Date<br>2020-10-22                                       | State<br>Final Release |
| HARTING Electronics GmbH<br>D-32339 Espelkamp |  | Title<br>HARTING M12-L male 5-pole A-coded with conduit M17x1 |                         |                           | Doc-Key / ECM-Nr.<br>100594106/UGD/004/F<br>500000179215 |                        |
|   |  | Type<br>TB  | Number<br>21038121511   |                           | Rev.<br>F  | Page<br>1/1            |