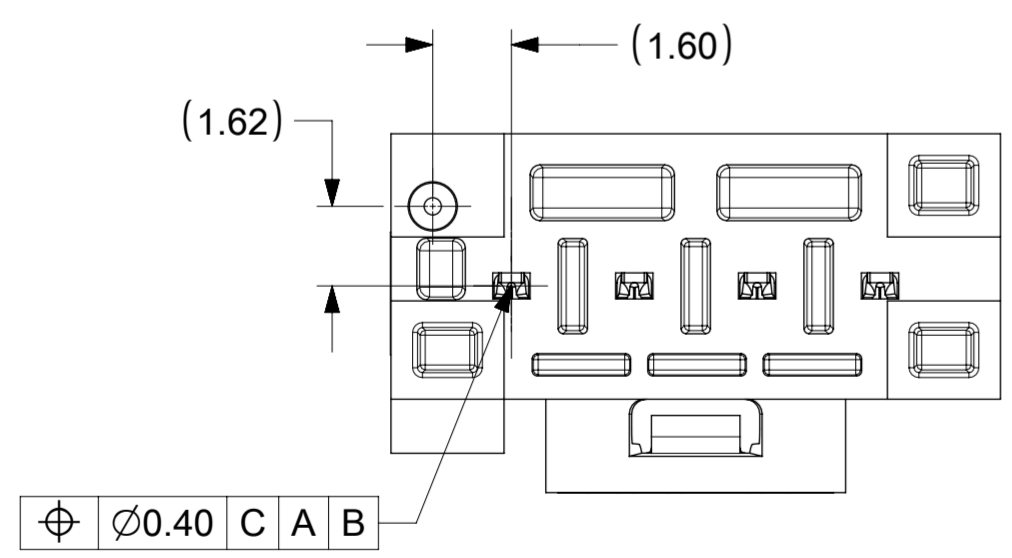
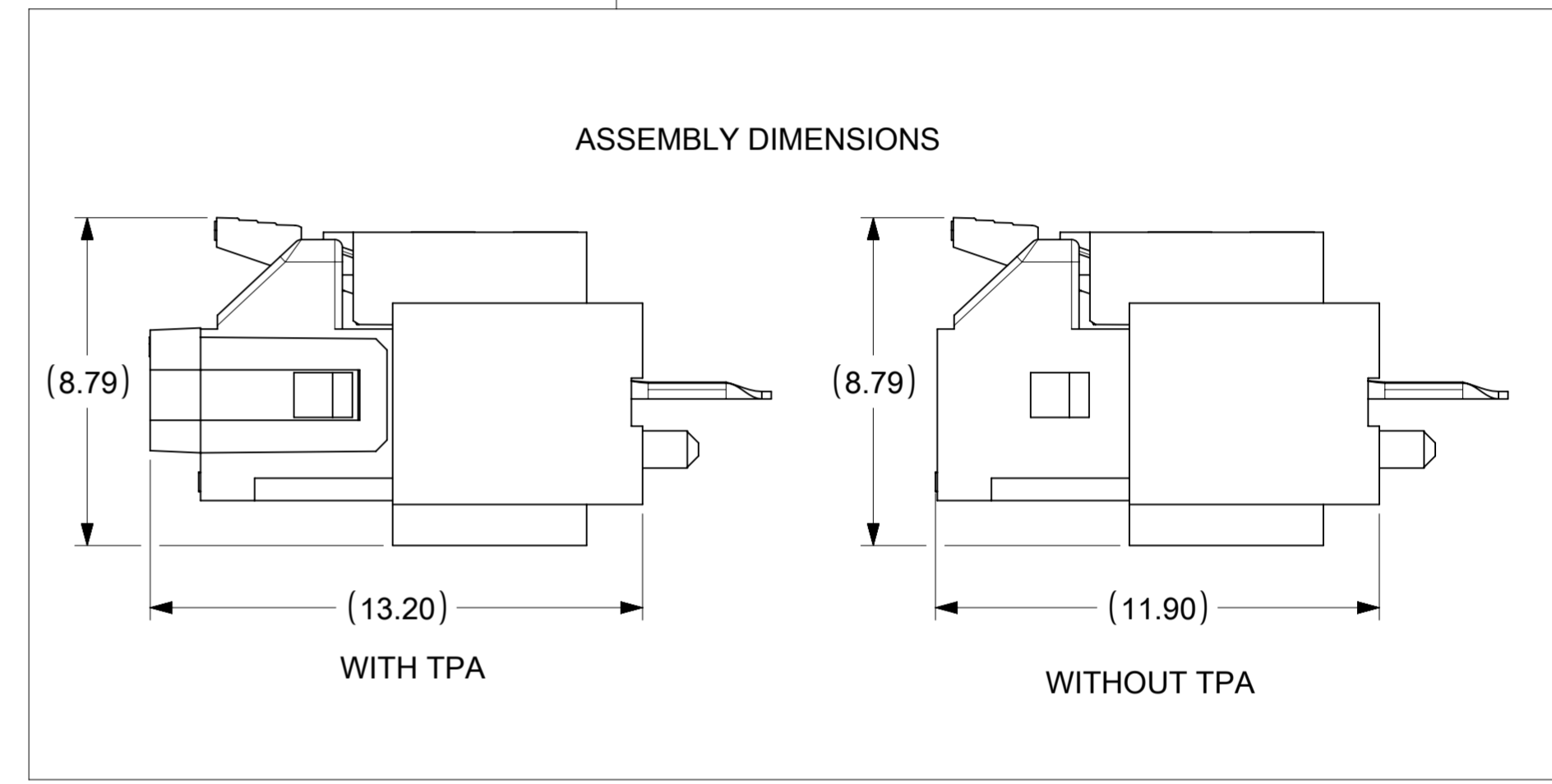
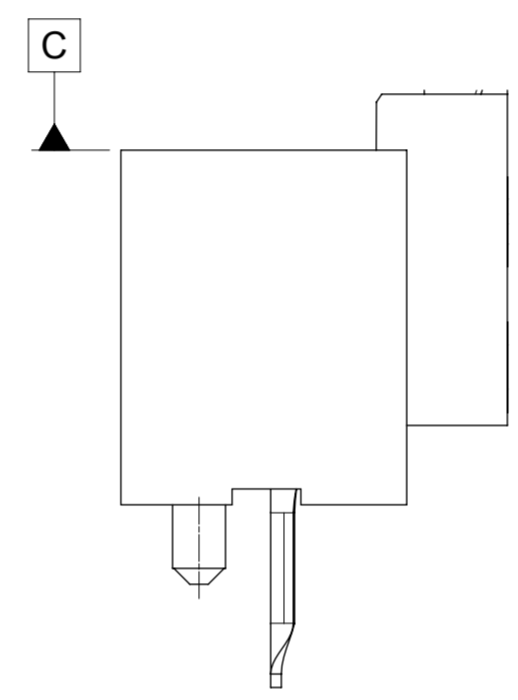
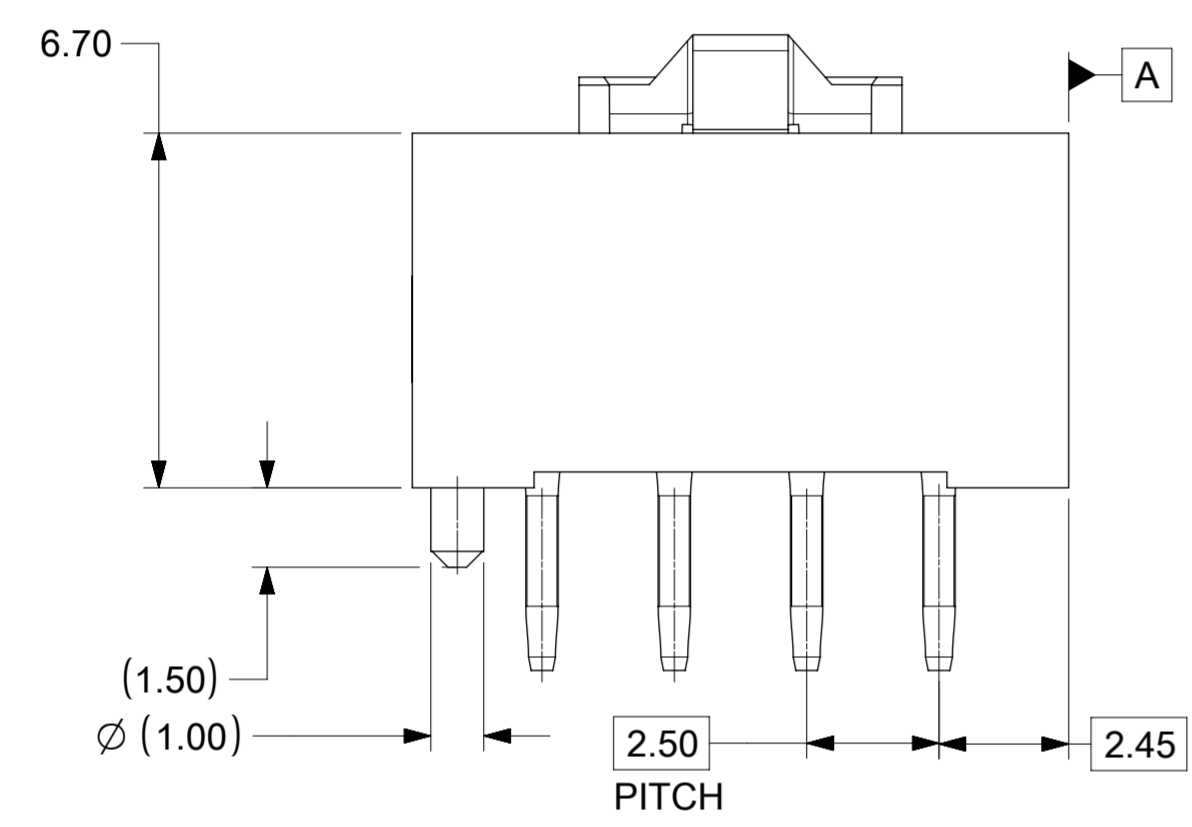


ISOMETRIC VIEW FOR
4 CKT HEADER ASSEMBLY



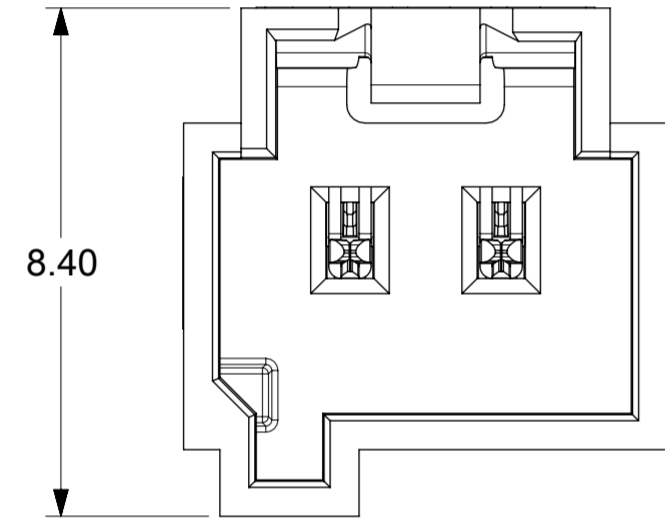
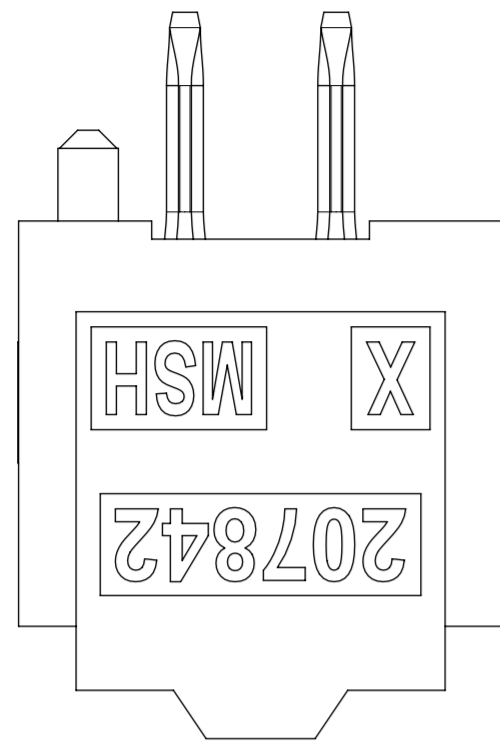
CKT SIZE	HEADER ASSEMBLY P/N	DIM. B
2	2078430002	8.00
3	2078430003	9.90
4	2078430004	12.40
5	2078430005	14.90
6	2078430006	17.40
7	2078430007	19.90
8	2078430008	22.40

- NOTES:
 1. MATERIAL:
 a. HOUSING: LIQUID CRYSTAL POLYMER, RATED UL 94V-0, COLOUR - BLACK
 b. TERMINAL: BRASS ALLOY PLATING: TIN OVER NICKEL OVERALL.
 2. PRODUCT SPECIFICATION: 2079020001-PS
 3. PACKAGING SPECIFICATION: 2078430000-PK
 4. COSMETIC SPECIFICATION: PS-45499-002 CLASS B

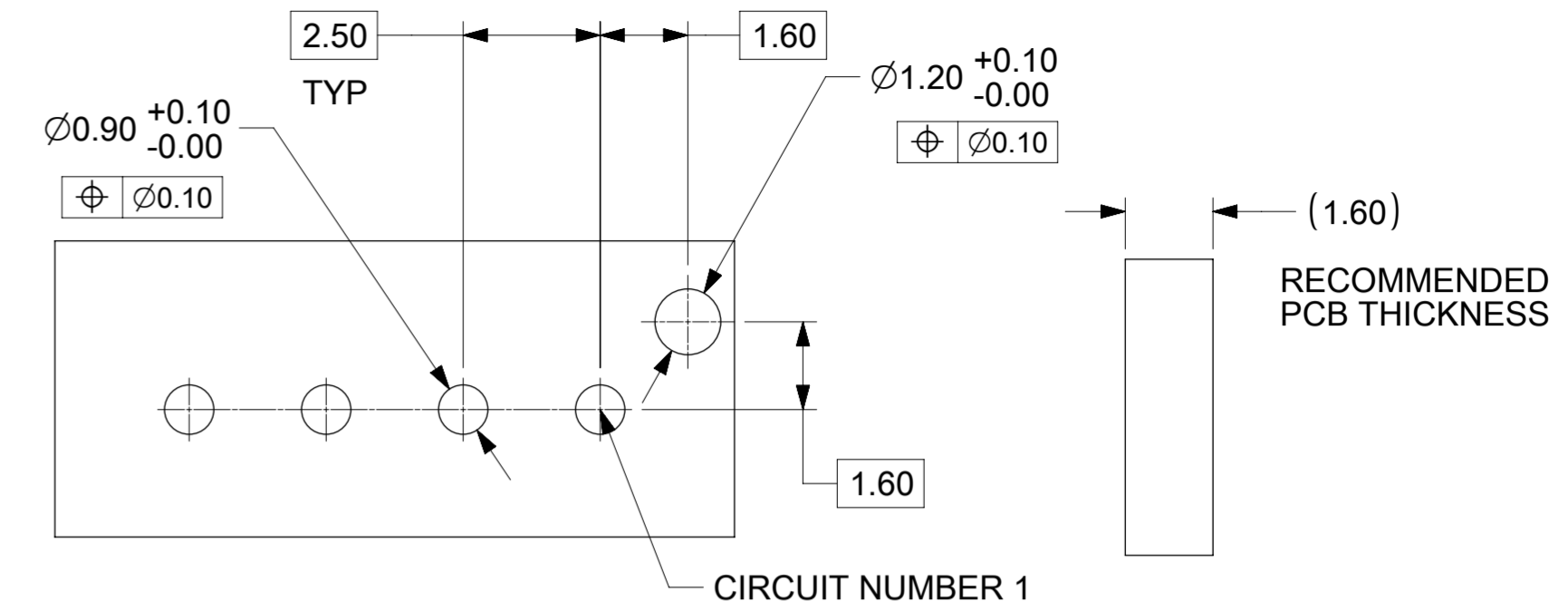
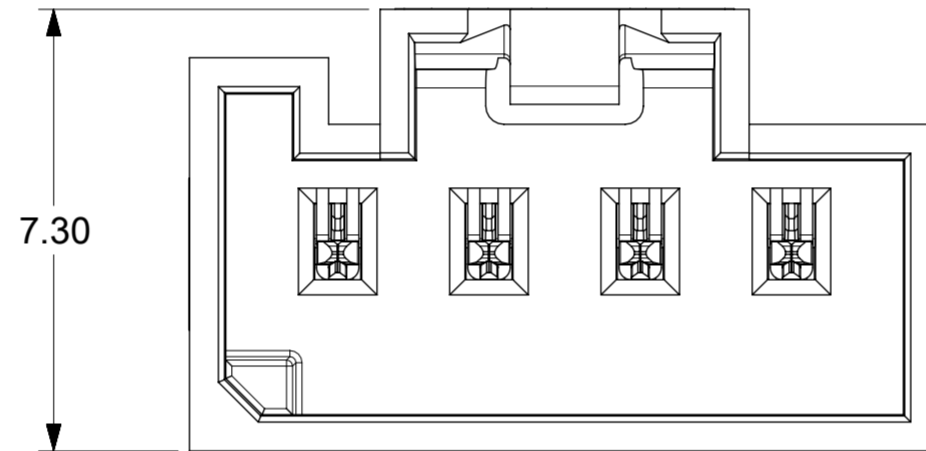
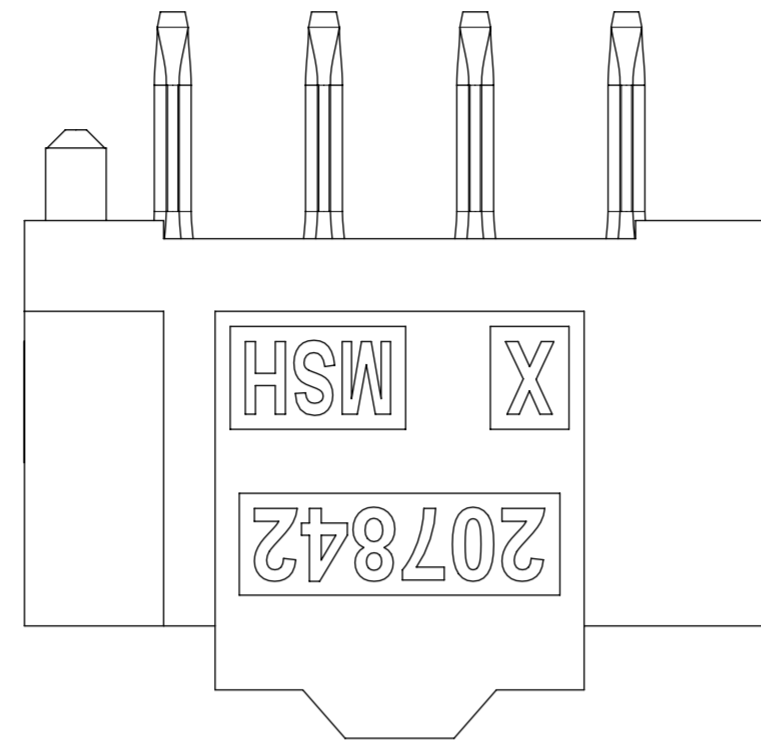
SYMBOLS	THIS DRAWING CONTAINS INFORMATION THAT IS PROPRIETARY TO MOLEX ELECTRONIC TECHNOLOGIES, LLC AND SHOULD NOT BE USED WITHOUT WRITTEN PERMISSION		
	DIMENSION UNITS	SCALE	CURRENT REV DESC:
▽ = 0	mm	6:1	EC NO: 706742 DRWN: SHRUTJ 2022/04/20 CHK'D: SHRUTJ 2022/05/13 APPR: ISHWARG 2022/05/13 INITIAL REVISION: DRWN: SUDAYGUNAGI 2018/06/19 APPR: ISHWARG 2019/04/16
▽ = 0	GENERAL TOLERANCES (UNLESS SPECIFIED)		
▽ = 0	ANGULAR TOL ± °		
▽ = 0	4 PLACES ±		
▽ = 0	3 PLACES ±		molex HEADER ASSEMBLY FOR KK PLUS 250 PRODUCT CUSTOMER DRAWING
▽ = 0	2 PLACES ± 0.25		
▽ = 0	1 PLACE ± 0.3		DOCUMENT NUMBER
▽ = 0	0 PLACES ±		2078430004-SD
▽ = 0	DRAFT WHERE APPLICABLE MUST REMAIN WITHIN DIMENSIONS		DOC TYPE
▽ = 0	THIRD ANGLE PROJECTION		PSD
▽ = 0	DRAWING		DOC PART
▽ = 0	A2-SIZE		000
▽ = 0	SERIES		REVISION
▽ = 0	207843		A5
▽ = 0	MATERIAL NUMBER		SHEET NUMBER
▽ = 0	CUSTOMER		1 OF 2

POLARIZATION

2 & 3CKT

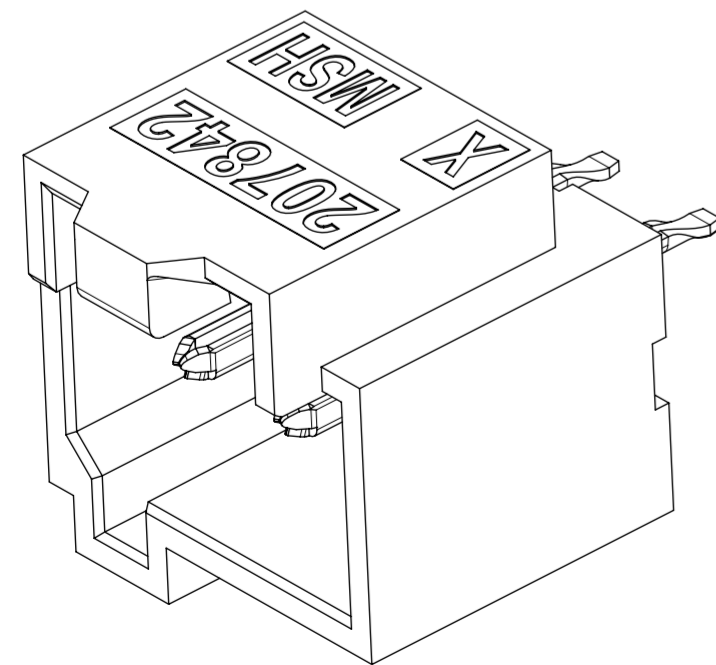


4 CKT TO 10 CKT

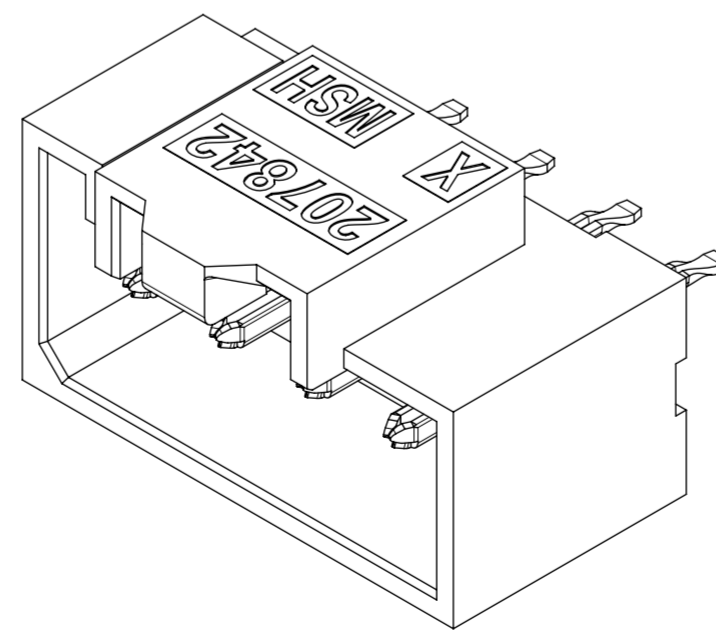


**PCB LAYOUT FOR 4CKT HEADER ASSEMBLY
PCB LAYOUT VIEWED FROM THE MATING SIDE**

ISOMETRIC VIEW FOR 2 & 3CKT



ISOMETRIC VIEW FOR 4 CKT TO 10 CKT



SYMBOLS	THIS DRAWING CONTAINS INFORMATION THAT IS PROPRIETARY TO MOLEX ELECTRONIC TECHNOLOGIES, LLC AND SHOULD NOT BE USED WITHOUT WRITTEN PERMISSION			
	DIMENSION UNITS	SCALE	CURRENT REV DESC:	
▽ = 0	mm	8:1	EC NO: 706742	
▽ = 0	GENERAL TOLERANCES (UNLESS SPECIFIED)		DRWN: SHRUTJ	2022/04/20
▽ = 0	ANGULAR TOL	± °	CHK'D: SHRUTJ	2022/05/13
▽ = 0	4 PLACES	±	APPR: ISHWARG	2022/05/13
▽ = 0	3 PLACES	±	INITIAL REVISION:	
▽ = 0	2 PLACES	± 0.25	DRWN: SUDAYGUNAGI	2018/06/19
▽ = 0	1 PLACE	± 0.3	APPR: ISHWARG	2019/04/16
▽ = 0	0 PLACES	±	THIRD ANGLE PROJECTION	
▽ = 0	DRAFT WHERE APPLICABLE MUST REMAIN WITHIN DIMENSIONS		DRAWING	SERIES
			A2-SIZE	207843

molex			
HEADER ASSEMBLY FOR KK PLUS 250			
PRODUCT CUSTOMER DRAWING			
DOCUMENT NUMBER	DOC TYPE	DOC PART	REVISION
2078430004-SD	PSD	000	A5
MATERIAL NUMBER	CUSTOMER	SHEET NUMBER	
		2 OF 2	