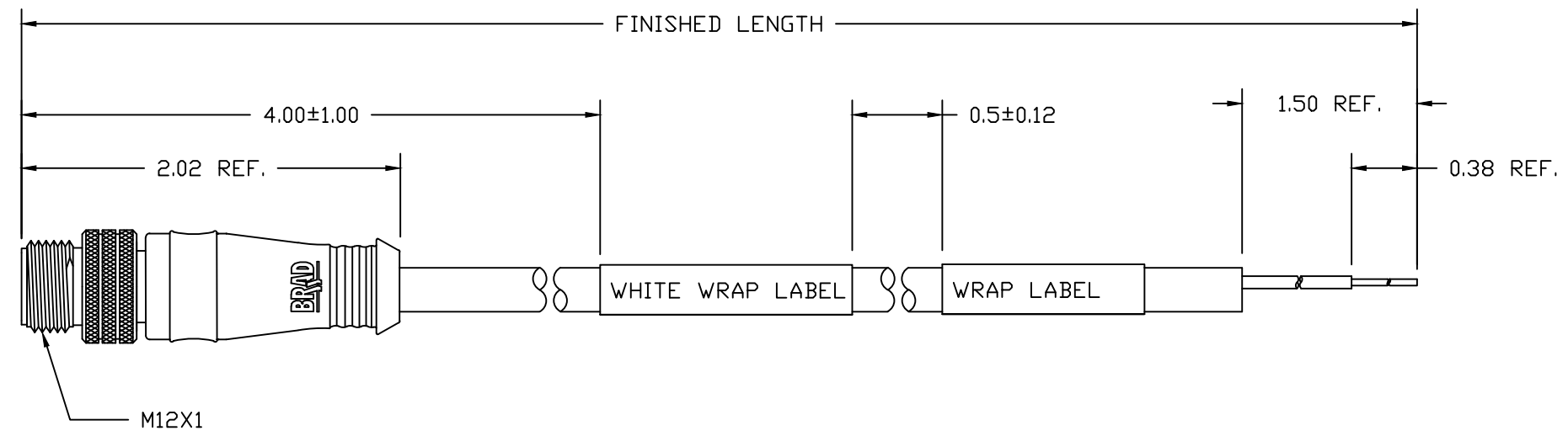


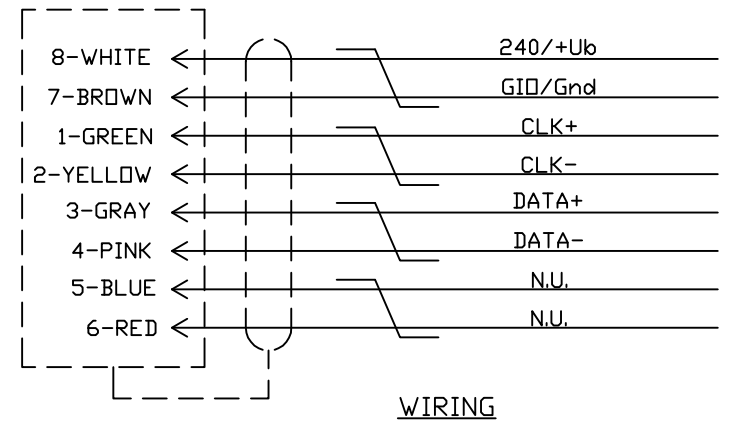
PART NUMBER	ENGINEERING NUMBER	FINISH LENGTH
1200690287	80802-M010	3.28' +2.19"-0 [1M +0.06 -0]
1200690288	80802-M030	9.84' +3.5"-0 [3M +0.09 -0]
1200690289	80802-M070	22.97' +6.5"-0 [7M +0.16 -0]
1200690294	80802-M100	32.81' +12.5"-0 [10M +0.32 -0]
1200690295	80802-M200	65.62' +24.5"-0 [20M +0.62 -0]



CUSTOMER PRODUCTION APPROVAL
APPROVED BY: _____
DATE: _____
MUST BE SIGNED AND RETURNED BEFORE
PRODUCTION WILL BEGIN.

80802-MXXX

LENGTH
M010 - 1M
M050 - 5M
M200 - 20M



SALES DRAWING

NOTES:

MECHANICAL

M12
INSERT: BLACK PUR
CONTACT: GOLD/NICKEL OVER COPPER ALLOY
COUPLING NUT: NICKEL PLATED BRASS
MOLDED BODY: BLACK PUR

CABLE

TYPE: 24 AWG 4 PAIR CONDUCTORS LIYCY GRAY PVC JACKET
WRAP LABEL: MARKED WITH P/N, DATE CODE, VOLTAGE & AMPERAGE

ELECTRICAL
FACE

OPERATING TEMP.: -20°C TO +80°C
VOLTAGE: 30V
AMPERAGE: 2A

INITIAL RELEASE EC NO: SCRNOVICH DRWN: BARDEN 2013/07/23 CHKD: BWOODMAN APPR: BWOODMAN 2013/05/13	DESCRIPTION REV	QUALITY SYMBOLS	GENERAL TOLERANCES (UNLESS SPECIFIED)		DIMENSION STYLE INCH ONLY		SCALE NTS	DESIGN UNITS INCH	THIRD ANGLE PROJECTION		
		▽=0 ∇=0	4 PLACES	mm	INCH	DRAWN BY	DATE	TITLE	MOLEX	DOCUMENT NO.	SHEET NO.
			3 PLACES	±---	±---	BARDEN	2013/02/25				
			2 PLACES	±0.13	±.010	BWOODMAN	2013/07/29				
1 PLACE	±0.25	±.020	APPROVED BY	DATE	MOLEX INCORPORATED						
		ANGULAR ±.5°		BWOODMAN	2013/05/13						
		DRAFT WHERE APPLICABLE MUST REMAIN WITHIN DIMENSIONS		MATERIAL NO.		SEE CHART		SD-120069-024		1 OF 1	
				SIZE B		THIS DRAWING CONTAINS INFORMATION THAT IS PROPRIETARY TO MOLEX INCORPORATED AND SHOULD NOT BE USED WITHOUT WRITTEN PERMISSION					