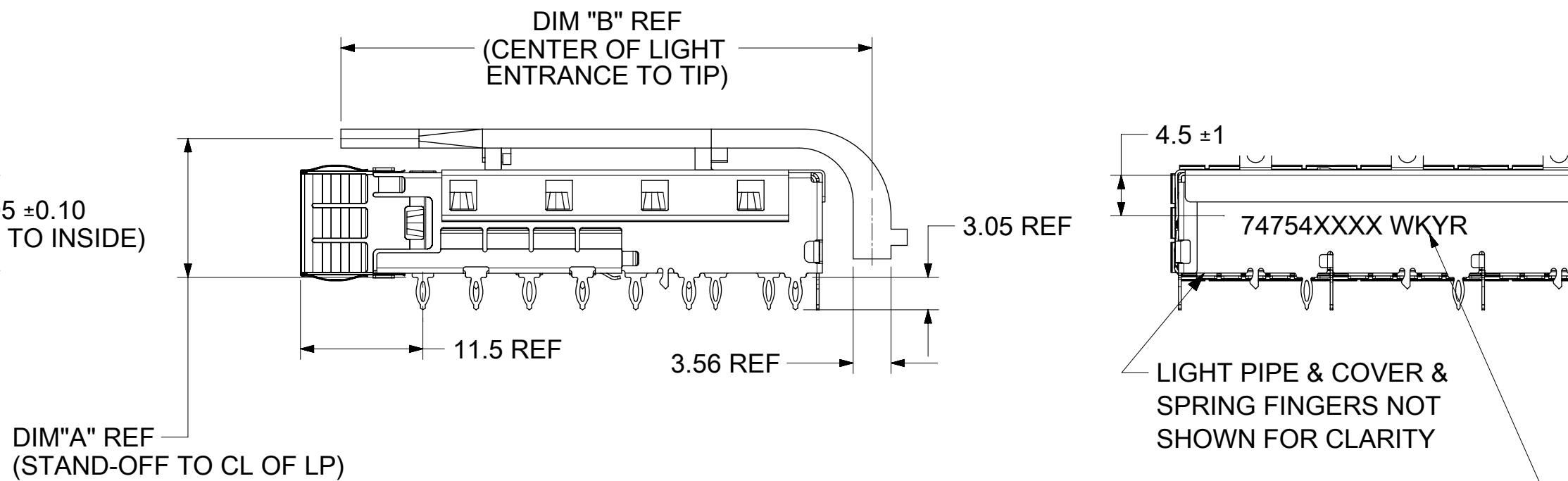
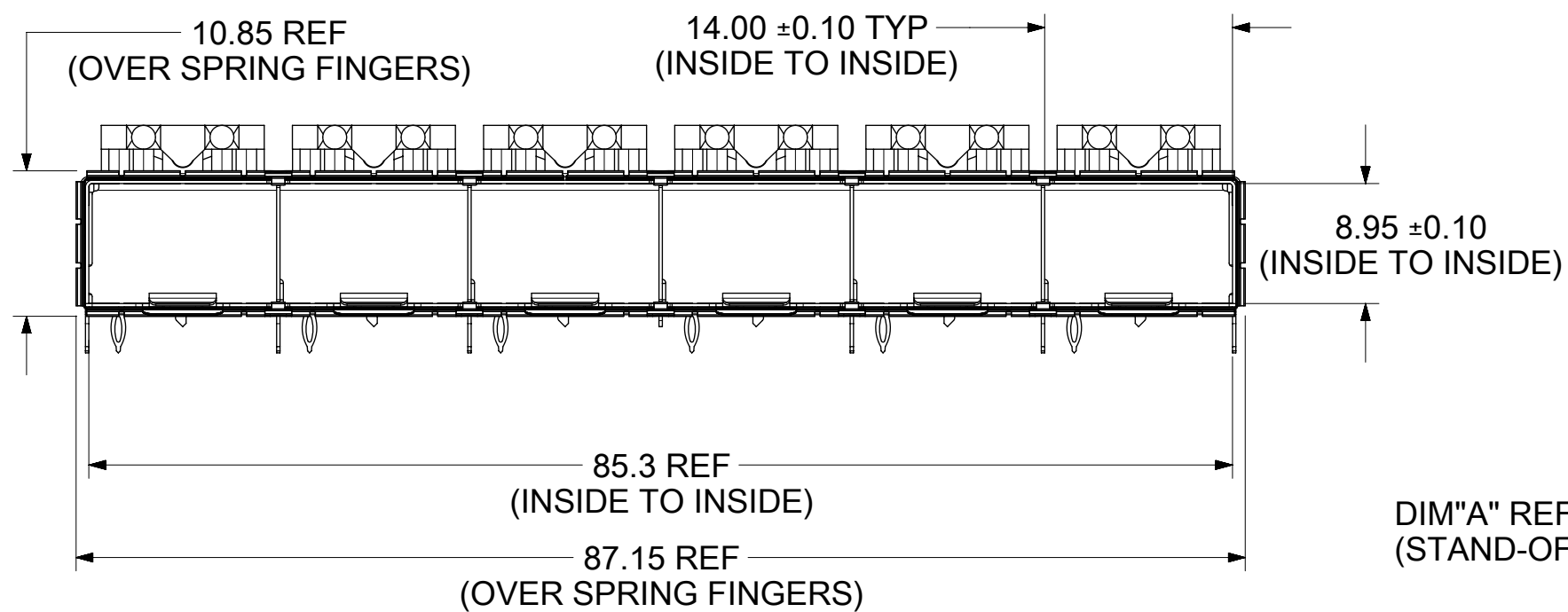
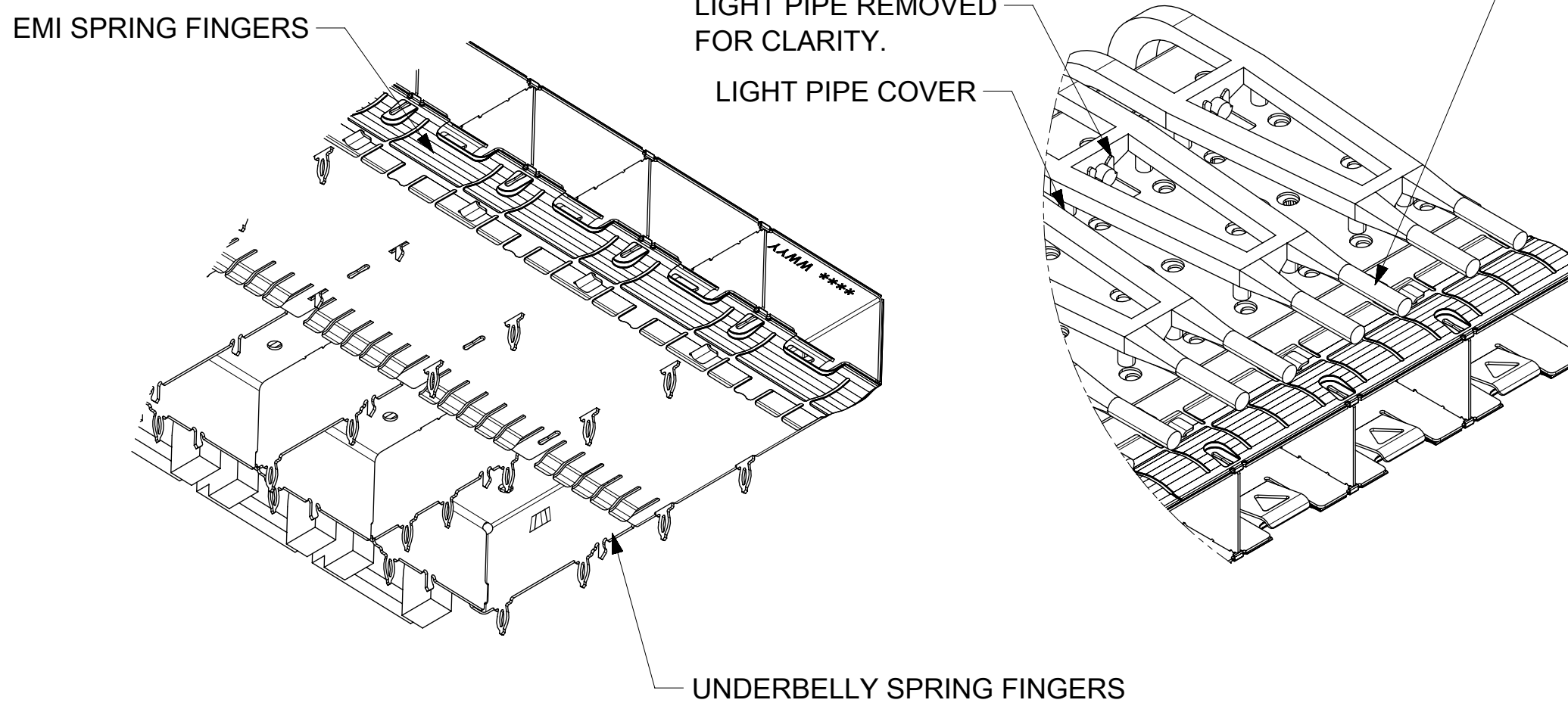
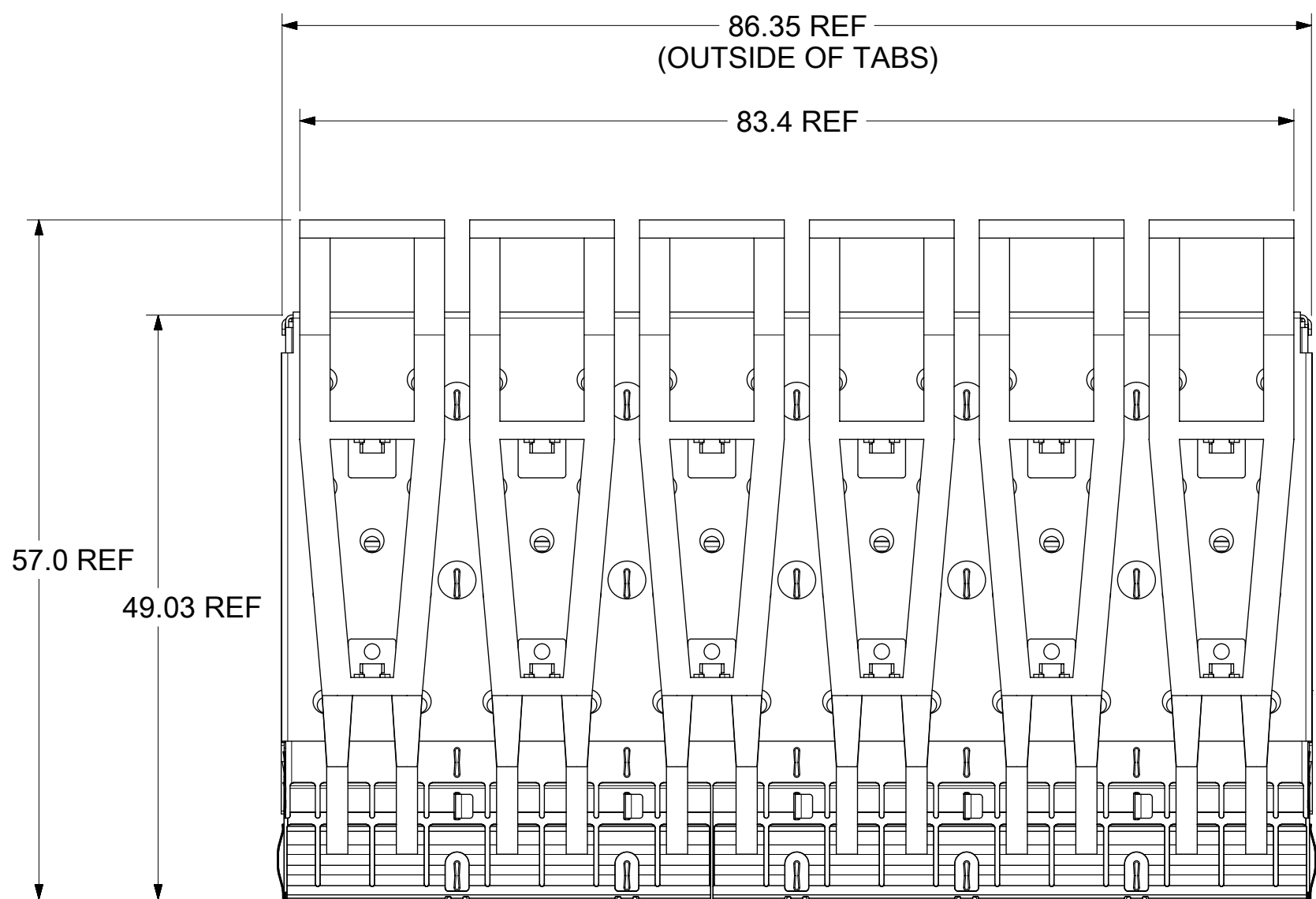


747548716 SHOWN



P/N AND WEEK/YEAR DATE CODE TO BE PRINTED ON BACK OF COMPLETED CAGE ASSEMBLY APPROXIMATELY AS SHOWN. SEE TABLE BELOW FOR DATE CODE INFORMATION.

WEEK/YEAR DATE CODE TABLE	
WK	WEEK OF THE YEAR 01 THRU 52 (EXAMPLE: 01= FIRST WEEK OF YEAR 52= LAST WEEK OF YEAR)
YR	22, 23, 24 ETC.. (EXAMPLE: YEAR 2022= 22)

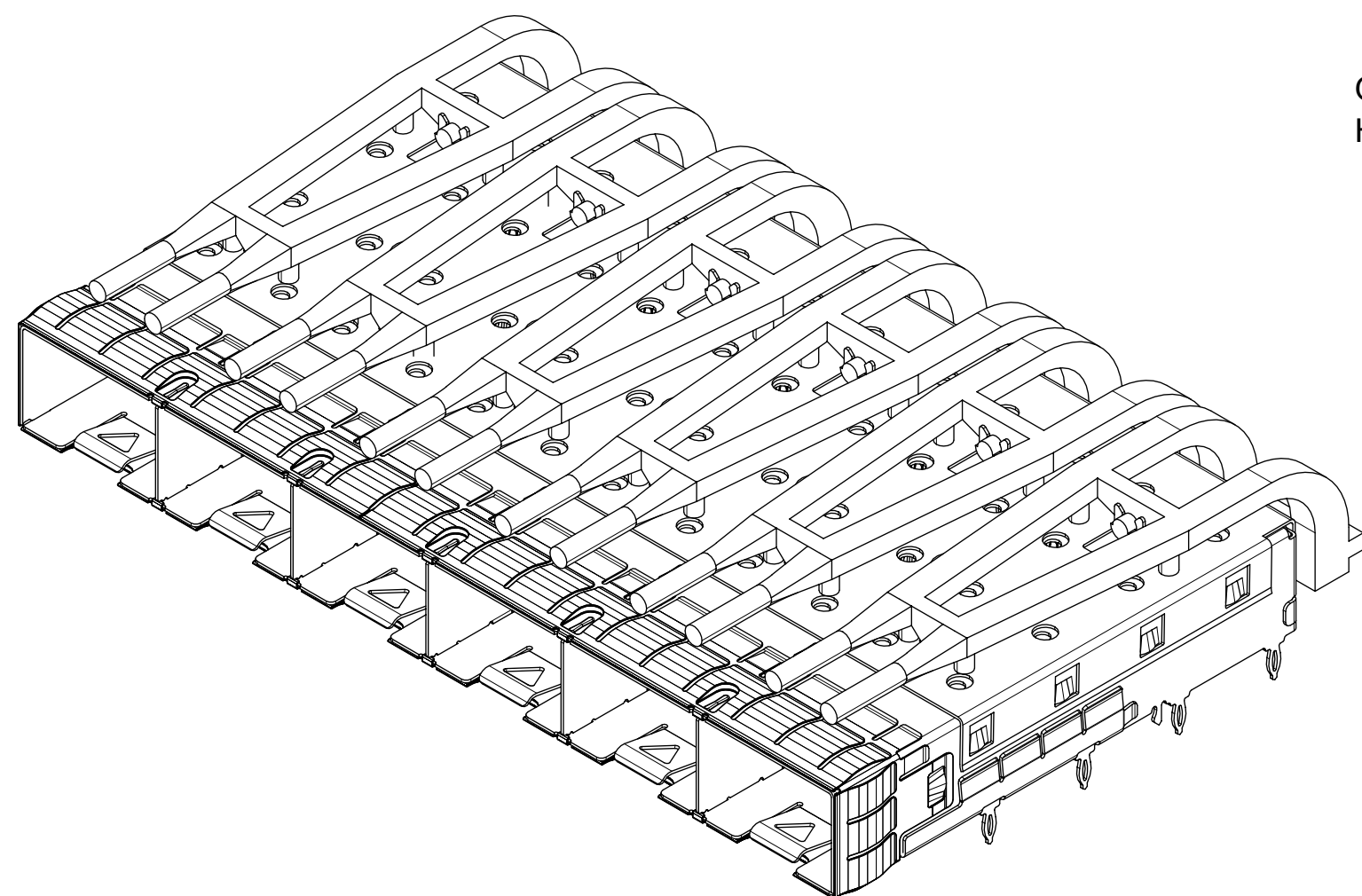
- NOTES:
- MATERIAL:
CAGE: NICKEL PLATED COPPER ALLOY, THICKNESS 0.25mm.
SPRING FINGER: STAINLESS STEEL.
LIGHT PIPE COVER: NICKEL PLATED COPPER ALLOY.
LIGHT PIPE: POLYCARBONATE (94-V0 RATED)
 - PORTS ARE DESIGNED FOR SFP+ TRANSCEIVERS AND ARE COMPATIBLE WITH SFP TRANSCEIVERS.
 - WELD SPOTS WILL SHOW SLIGHT DISCOLORATION ON EMI SPRING FINGER, LP COVER & REAR CAGE.
 - IT IS NOT RECOMMENDED TO PRESS ON LIGHT PIPES WHEN INSTALLING CAGE.
 - NO RoHS EXEMPTIONS.

FUNCTIONAL SYMBOLS	THIS DRAWING CONTAINS INFORMATION THAT IS PROPRIETARY TO MOLEX ELECTRONIC TECHNOLOGIES, LLC AND SHOULD NOT BE USED WITHOUT WRITTEN PERMISSION		CURRENT REV DESC: SEE REVISION TABLE		
	DIMENSION UNITS	SCALE			
$\nabla_A = 0$	mm	2:1			SFP+ 1X4 CAGE ASSY PRESS FIT TYPE, W/SUS SPRING FINGER & LOW PROFILE LIGHT PIPE
$\nabla_E = 0$	GENERAL TOLERANCES (UNLESS SPECIFIED)				
$\nabla_P = 0$	ANGULAR TOL ± °				PRODUCT CUSTOMER DRAWING
DIVISIONAL SYMBOLS	4 PLACES ±		EC NO: 706896	2022/04/06	
	3 PLACES ±		DRWN: PKH	2022/05/19	
	2 PLACES ±		CHK'D: TKUMARKC	2022/05/26	
	1 PLACE ±		APPR: SCHIEN		
	0 PLACES ±		INITIAL REVISION:		
	DRAFT WHERE APPLICABLE MUST REMAIN WITHIN DIMENSIONS		DRWN: PKH	2022/04/06	DOCUMENT NUMBER
	THIRD ANGLE PROJECTION		APPR: SCHIEN	2022/05/26	747548716
	DRAWING		SERIES	MATERIAL NUMBER	CUSTOMER
	C-SIZE		74754	SEE SHEET 2	
					DOC TYPE DOC PART REVISION
					PSD ASY A
					SHEET NUMBER
					1 OF 6

DOCUMENT STATUS	P1	RELEASE DATE	2022/05/26 08:01:46
-----------------	----	--------------	---------------------

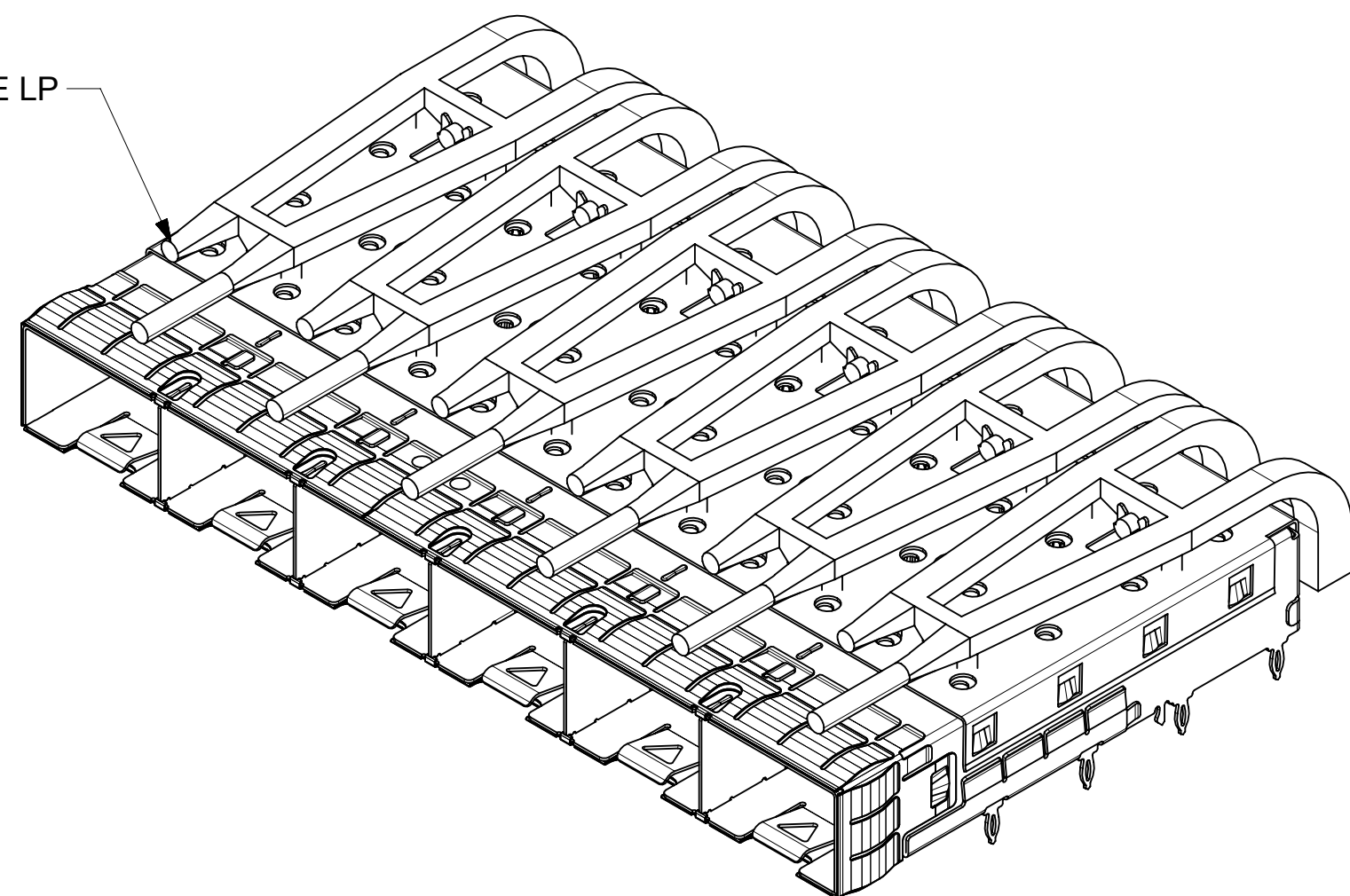
PART NUMBER SELECTION

NO HEATISINK
W/SHORT LIGHT PIPES
CLOSED TOP



NO HEATISINK
W/ LONG SINGLE LIGHT PIPE
CLOSED TOP

ONE END OF THE LP
HAS BEEN CUT

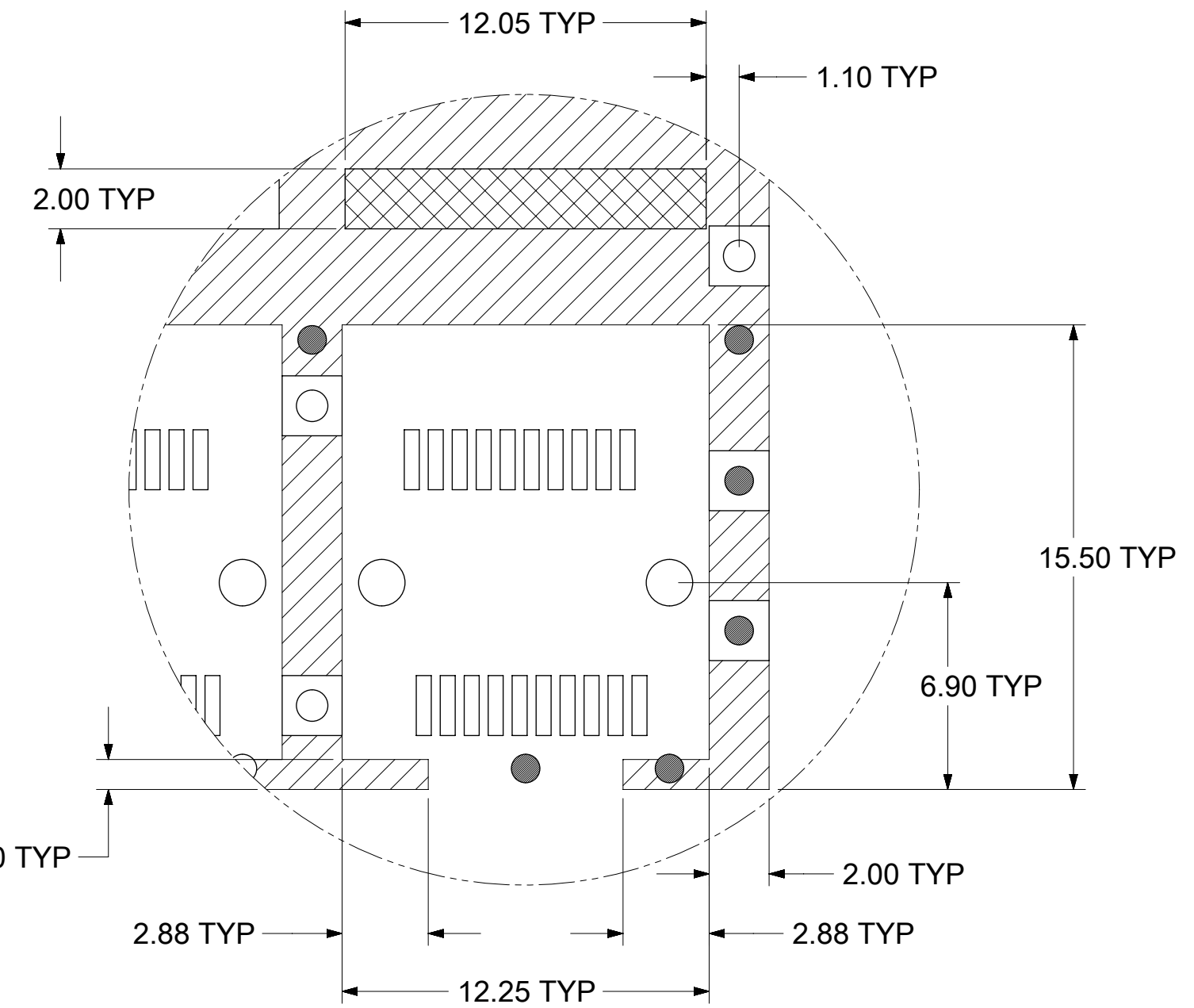
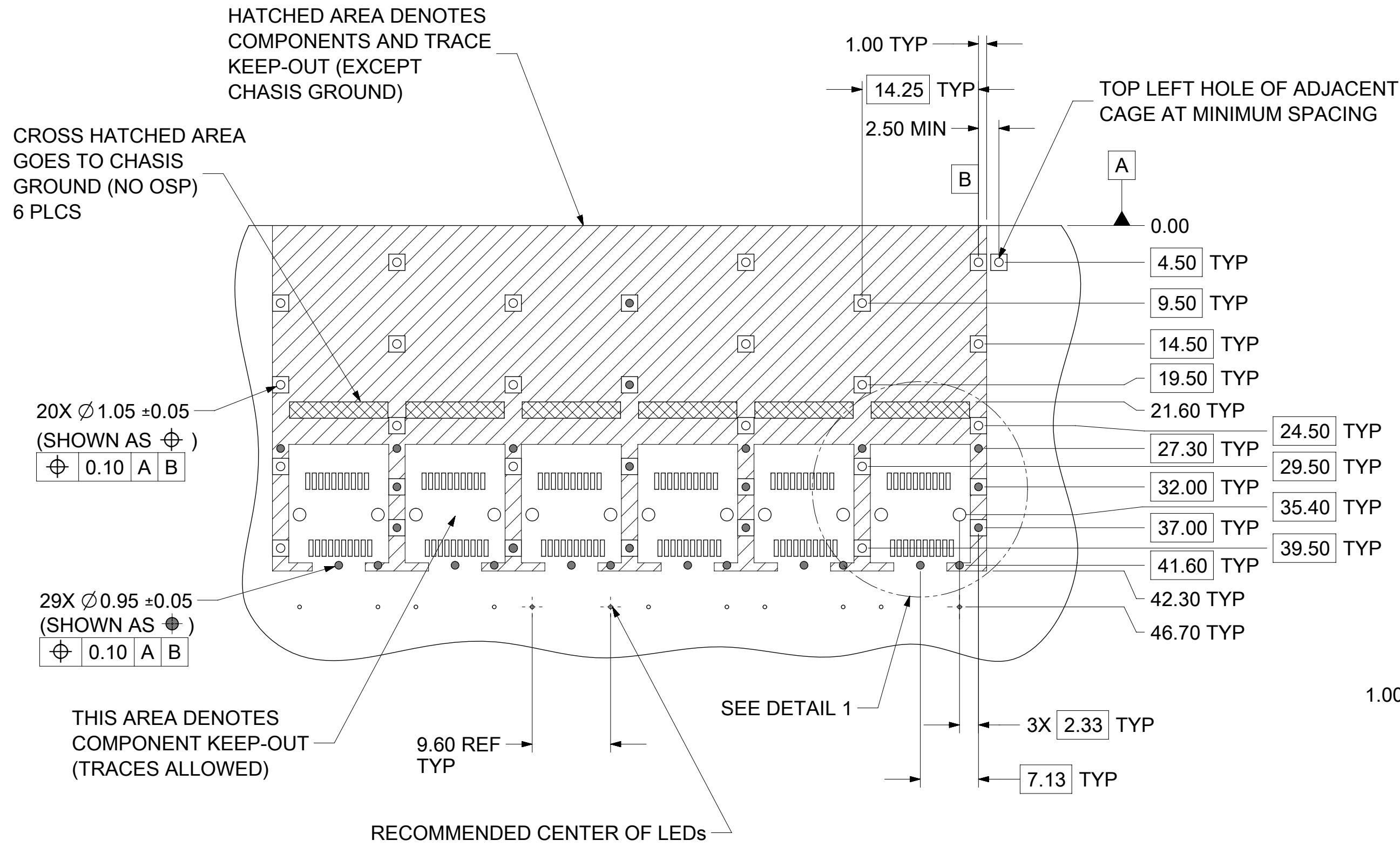


MOLEX P/N	# OF REAR LEGS PER PORT	DIM "A"	DIM "B"
747548716	2	13.0	49.90

MOLEX P/N	# OF REAR LEGS PER PORT	DIM "A"	DIM "B"
747548724	2	13.0	51.60

FUNCTIONAL SYMBOLS $\nabla_A = 0$ $\nabla_C = 0$ $\nabla_P = 0$	THIS DRAWING CONTAINS INFORMATION THAT IS PROPRIETARY TO MOLEX ELECTRONIC TECHNOLOGIES, LLC AND SHOULD NOT BE USED WITHOUT WRITTEN PERMISSION		CURRENT REV DESC: SEE REVISION TABLE		
	DIMENSION UNITS	SCALE			
	GENERAL TOLERANCES (UNLESS SPECIFIED)				
	ANGULAR TOL \pm °				
DIVISIONAL SYMBOLS 4 PLACES \pm 3 PLACES \pm 2 PLACES \pm 1 PLACE \pm 0 PLACES \pm	mm	2:1			EC NO: 706896
					DRWN: PKH 2022/04/06
					CHK'D: TKUMARKC 2022/05/19
					APPR: SCHIEN 2022/05/26
DRAFT WHERE APPLICABLE MUST REMAIN WITHIN DIMENSIONS		THIRD ANGLE PROJECTION	DRAWING	SERIES	INITIAL REVISION: DRWN: PKH 2022/04/06 APPR: SCHIEN 2022/05/26
			C-SIZE	74754	DOCUMENT NUMBER
					747548716
					DOC TYPE DOC PART REVISION
					PSD ASY A
					MATERIAL NUMBER CUSTOMER SHEET NUMBER
					SEE SHEET 2 2 OF 6

PCB LAYOUT FOR SINGLE SIDED MOUNTING



DETAIL 1
SCALE 5:1
LAYOUT APPLIES TO EACH PORT

NOTES:

1. PADS AND VIAS CONNECT TO CHASSIS GROUND (RECOMMEND PADS TO BE 2.00mm SQUARE)
2. RECOMMENDED THRU HOLE PLATING INCLUDES HASL, OSP, OR IMMERSION (GOLD, SILVER, OR TIN).
3. CONNECTOR PAD LAYOUT PER SFP+ MSA WILL ACCOMMODATE MOLEX CONNECTOR SERIES 74441 OR EQUIVALENT.
4. HOLE PATTERN REPEATS FOR EACH PORT. SPACING BETWEEN PORTS IS 14.25mm.
5. 1.57 MINIMUM PCB THICKNESS FOR SIGLE SIDE USE.

FUNCTIONAL SYMBOLS	THIS DRAWING CONTAINS INFORMATION THAT IS PROPRIETARY TO MOLEX ELECTRONIC TECHNOLOGIES, LLC AND SHOULD NOT BE USED WITHOUT WRITTEN PERMISSION						
	DIMENSION UNITS	SCALE	CURRENT REV DESC: SEE REVISION TABLE				
$\nabla_A = 0$	mm	2:1	EC NO: 706896 DRWN: PKH CHK'D: TKUMARKC APPR: SCHIEN				
$\nabla_C = 0$	GENERAL TOLERANCES (UNLESS SPECIFIED)						
$\nabla_P = 0$	ANGULAR TOL	± °	2022/04/06				
DIVISIONAL SYMBOLS	4 PLACES	±	2022/05/19				
	3 PLACES	±	2022/05/26				
	2 PLACES	±	INITIAL REVISION:				
	1 PLACE	±	DRWN: PKH APPR: SCHIEN				
0 PLACES	±	2022/04/06 2022/05/26	DOCUMENT NUMBER				
DRAFT WHERE APPLICABLE MUST REMAIN WITHIN DIMENSIONS		THIRD ANGLE PROJECTION	DRAWING	SERIES	MATERIAL NUMBER	CUSTOMER	SHEET NUMBER
			C-SIZE	74754	747548716	SEE SHEET 2	3 OF 6

molex

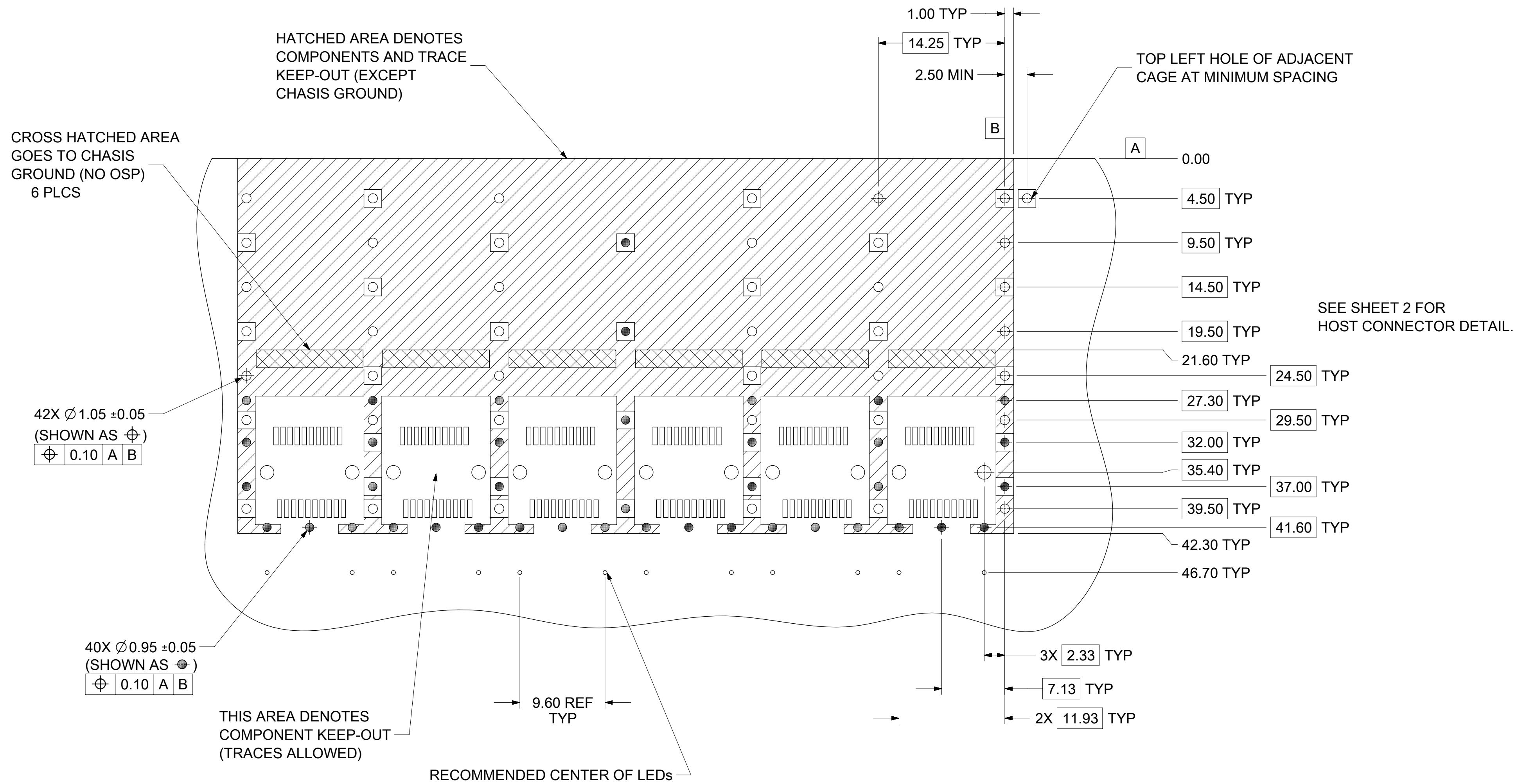
SFP+ 1X4 CAGE ASSY PRESS FIT TYPE,
W/SUS SPRING FINGER & LOW PROFILE LIGHT PIPE

PRODUCT CUSTOMER DRAWING

747548716

PSD ASY A

PCB LAYOUT FOR BELLY TO BELLY MOUNTING



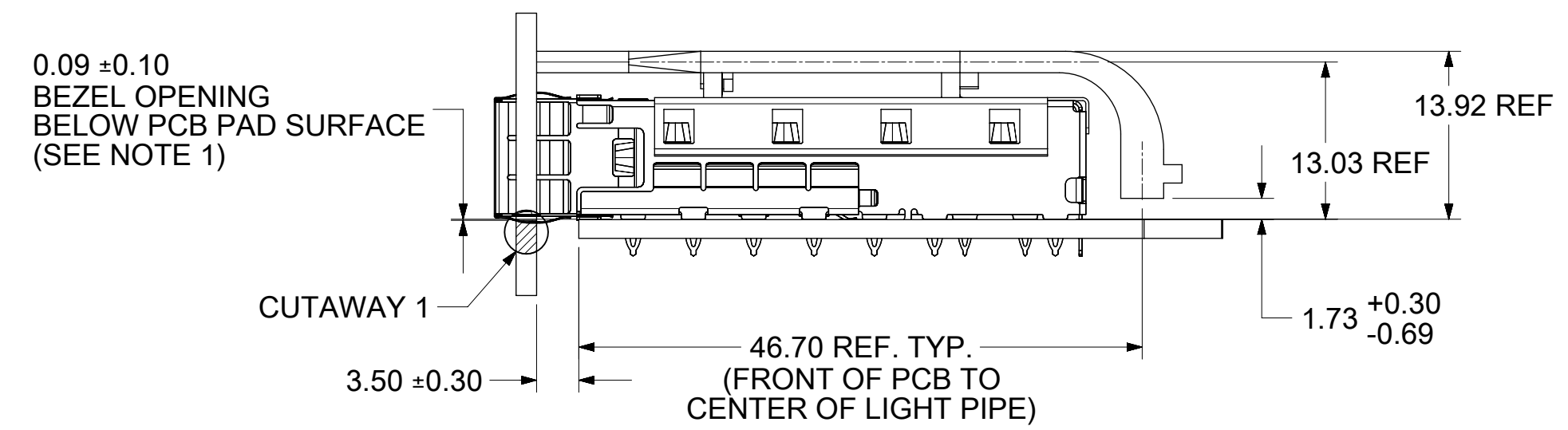
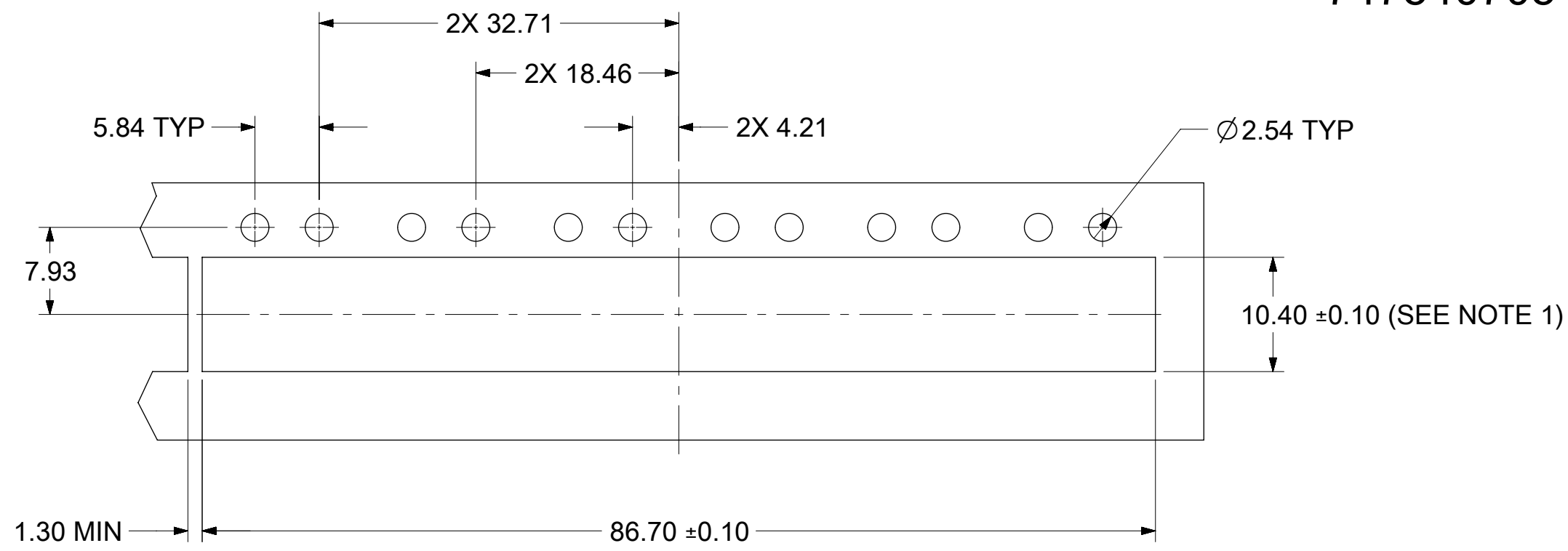
NOTES:

1. PADS AND VIAS CONNECT TO CHASSIS GROUND (RECOMMEND PADS TO BE 2.00mm SQUARE)
2. RECOMMENDED THRU HOLE PLATING INCLUDES HASL, OSP, OR IMMERSION (GOLD, SILVER, OR TIN).
3. CONNECTOR PAD LAYOUT PER SFP+ MSA WILL ACCOMMODATE MOLEX CONNECTOR SERIES 74441 OR EQUIVALENT.
4. HOLE PATTERN REPEATS FOR EACH PORT. SPACING BETWEEN PORTS IS 14.25mm.
5. 3.00 MINIMUM PCB THICKNESS FOR BELLY TO BELLY USE.

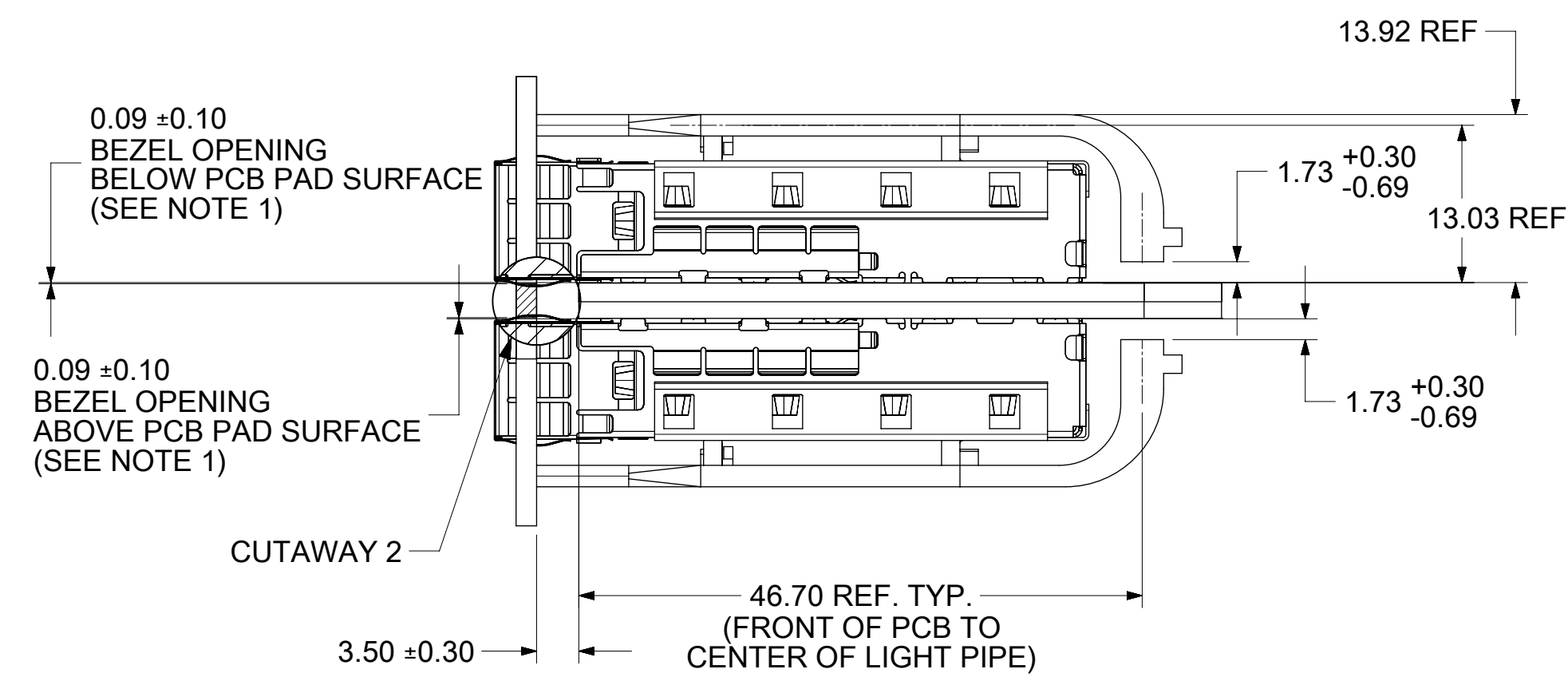
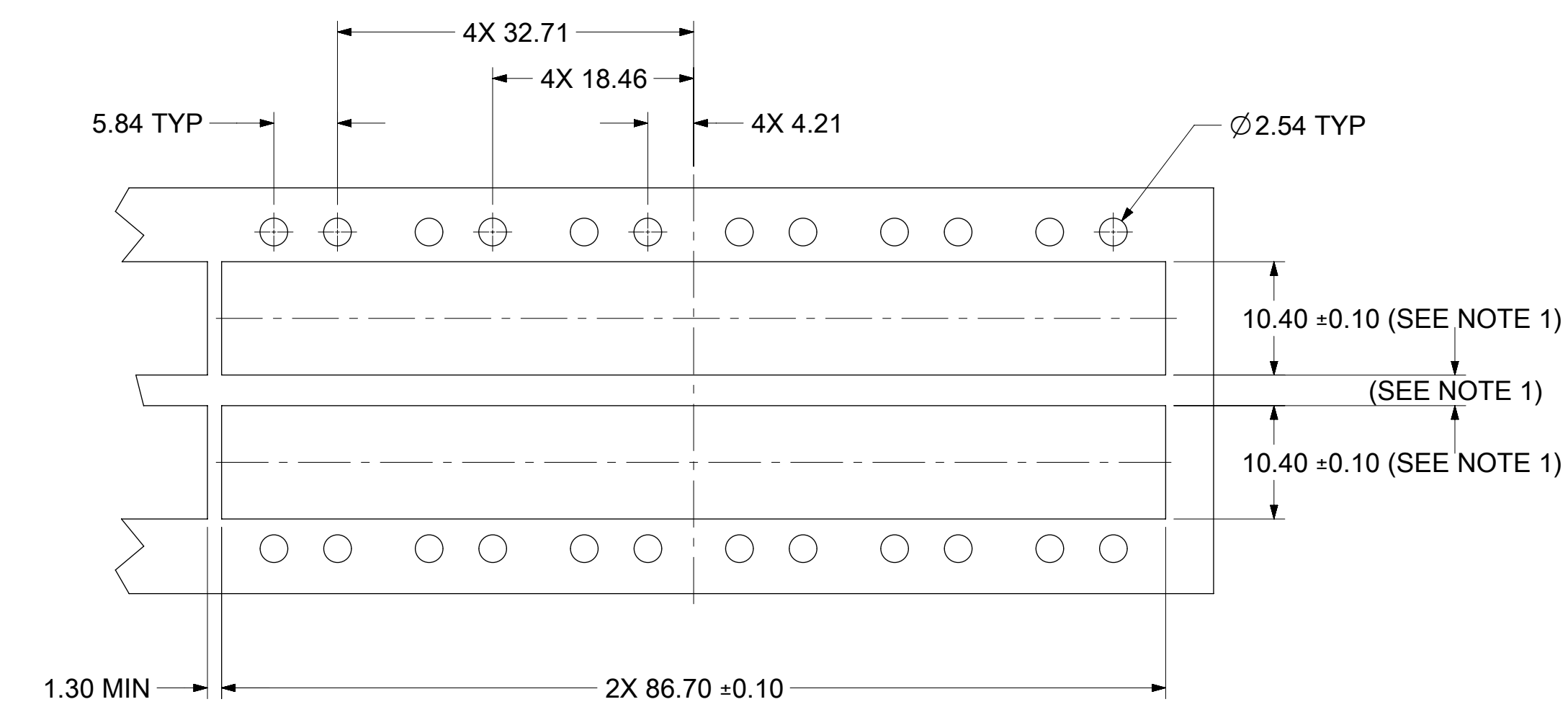
FUNCTIONAL SYMBOLS		THIS DRAWING CONTAINS INFORMATION THAT IS PROPRIETARY TO MOLEX ELECTRONIC TECHNOLOGIES, LLC AND SHOULD NOT BE USED WITHOUT WRITTEN PERMISSION		CURRENT REV DESC: SEE REVISION TABLE		molex	
$\frac{F}{A} = 0$	DIMENSION UNITS	SCALE	EC NO: 706896				
$\frac{F}{C} = 0$	mm	3:1	DRWN: PKH 2022/04/06			PRODUCT CUSTOMER DRAWING	
$\frac{F}{P} = 0$	GENERAL TOLERANCES (UNLESS SPECIFIED)		CHK'D: TKUMARKC 2022/05/19			DOCUMENT NUMBER	
DIVISIONAL SYMBOLS		ANGULAR TOL ± °	APPR: SCHIEN 2022/05/26			747548716	
4 PLACES ±			INITIAL REVISION:			DOC TYPE DOC PART REVISION	
3 PLACES ±			DRWN: PKH 2022/04/06			PSD ASY A	
2 PLACES ±			APPR: SCHIEN 2022/05/26			MATERIAL NUMBER CUSTOMER	
1 PLACE ±			DRAFT WHERE APPLICABLE MUST REMAIN WITHIN DIMENSIONS			SEE SHEET 2	
0 PLACES ±			THIRD ANGLE PROJECTION	DRAWING	SERIES	SHEET NUMBER	
				C-SIZE	74754	4 OF 6	

DOCUMENT STATUS	P1	RELEASE DATE	2022/05/26 08:01:46
-----------------	----	--------------	---------------------

BEZEL AND BOARD POSITION DIMENSIONS FOR SINGLE SIDED MOUNTING (SPRING FINGER) 747540705 SHOWN



BEZEL AND BOARD POSITION DIMENSIONS FOR BELLY TO BELLY MOUNTING (SPRING FINGER) 747540705 SHOWN




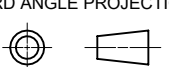
NOTES:

1. PCB THICKNESS VARIATION MUST BE CONSIDERED WHEN DETERMINING BEZEL OPENING, SIZE, AND LOCATION.

FUNCTIONAL SYMBOLS	THIS DRAWING CONTAINS INFORMATION THAT IS PROPRIETARY TO MOLEX ELECTRONIC TECHNOLOGIES, LLC AND SHOULD NOT BE USED WITHOUT WRITTEN PERMISSION						
	DIMENSION UNITS	SCALE	CURRENT REV DESC: SEE REVISION TABLE				
$\nabla_A = 0$	mm	2:1	<p>molex</p> <p>SFP+ 1X4 CAGE ASSY PRESS FIT TYPE, W/SUS SPRING FINGER & LOW PROFILE LIGHT PIPE</p> <p>PRODUCT CUSTOMER DRAWING</p>				
$\nabla_C = 0$	GENERAL TOLERANCES (UNLESS SPECIFIED)						
$\nabla_P = 0$	ANGULAR TOL ± °						
DIVISIONAL SYMBOLS	4 PLACES	±	EC NO: 706896	2022/04/06			
	3 PLACES	±	DRWN: PKH	2022/05/19			
	2 PLACES	±	CHK'D: TKUMARKC	2022/05/26			
	1 PLACE	±	APPR: SCHIEN				
0 PLACES	±	INITIAL REVISION:					
DRAFT WHERE APPLICABLE MUST REMAIN WITHIN DIMENSIONS		THIRD ANGLE PROJECTION	DRAWING	SERIES	MATERIAL NUMBER	CUSTOMER	SHEET NUMBER
			C-SIZE	74754	SEE SHEET 2		5 OF 6

DOCUMENT STATUS	P1	RELEASE DATE	2022/05/26	08:01:46
-----------------	----	--------------	------------	----------

REV	DATE	DESCRIPTION
A	2022/05/19	INITAL RELEASE

FUNCTIONAL SYMBOLS	THIS DRAWING CONTAINS INFORMATION THAT IS PROPRIETARY TO MOLEX ELECTRONIC TECHNOLOGIES, LLC AND SHOULD NOT BE USED WITHOUT WRITTEN PERMISSION													
	DIMENSION UNITS	SCALE	CURRENT REV DESC: SEE REVISION TABLE											
$\frac{F}{A} = 0$	mm	1:1	EC NO: 706896 DRWN: PKH 2022/04/06 CHK'D: TKUMARKC 2022/05/19 APPR: SCHIEN 2022/05/26									SFP+ 1X4 CAGE ASSY PRESS FIT TYPE, W/SUS SPRING FINGER & LOW PROFILE LIGHT PIPE		
$\frac{F}{C} = 0$	GENERAL TOLERANCES (UNLESS SPECIFIED)													
$\frac{F}{P} = 0$	ANGULAR TOL ± °		INITIAL REVISION: DRWN: PKH 2022/04/06 APPR: SCHIEN 2022/05/26								PRODUCT CUSTOMER DRAWING DOCUMENT NUMBER 747548716	DOC TYPE PSD	DOC PART ASY	REVISION A
DIVISIONAL SYMBOLS	4 PLACES ±													
	3 PLACES ±		THIRD ANGLE PROJECTION 								MATERIAL NUMBER SEE SHEET 2	CUSTOMER	SHEET NUMBER 6 OF 6	
	2 PLACES ±													
	1 PLACE ±		DRAFT WHERE APPLICABLE MUST REMAIN WITHIN DIMENSIONS											
	0 PLACES ±													

molex

SFP+ 1X4 CAGE ASSY PRESS FIT TYPE,
W/SUS SPRING FINGER & LOW PROFILE LIGHT PIPE

PRODUCT CUSTOMER DRAWING

747548716

PSD ASY **A**

6 OF 6