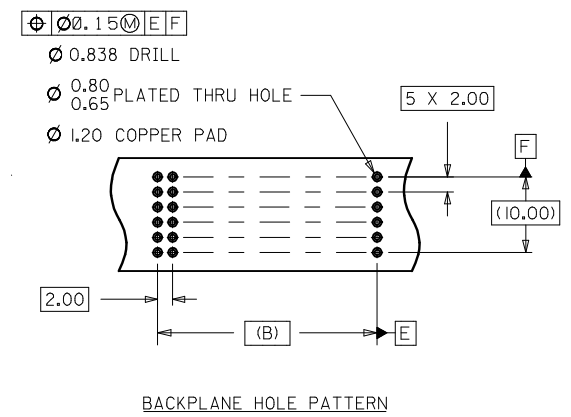
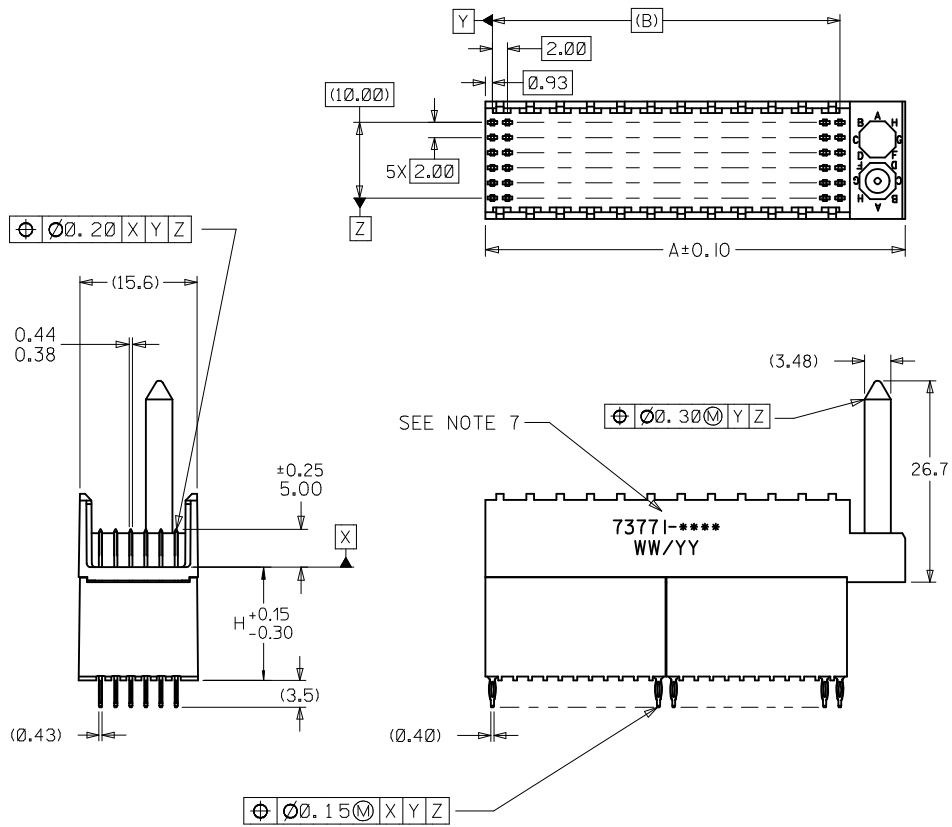
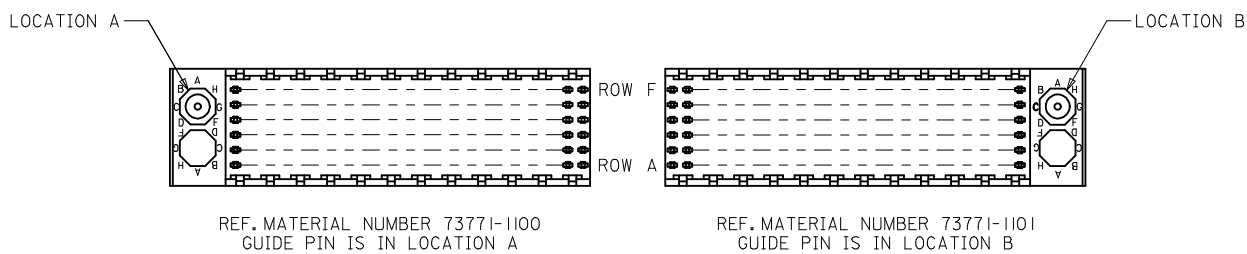


ASSEMBLY P/N	TOTAL NUMBER OF SIGNAL CONTACTS	DIM "A"	DIM "B"	DIM "H"
73771-01**	72	31.6	22.00	15.05
73771-02**	72	31.6	22.00	6.05
73771-03**	72	31.6	22.00	10.05
73771-11**	144	55.6	46.00	15.05
73771-12**	144	55.6	46.00	6.05
73771-13**	144	55.6	46.00	10.05

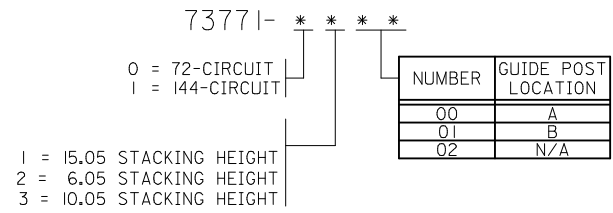


- NOTES:
1. MATERIALS: HOUSING-LIQUID CRYSTAL POLYMER (LCP), GLASS FILLED, UL 94V-0, COLOR: BLACK, TERMINAL-PHOSPHOR BRONZE
 2. FINISH: SELECTIVE GOLD (Au) IN CONTACT AREA, 0.00076 mm MINIMUM THICKNESS; SELECTIVE MATTE TIN (Sn) ON TAILS, NICKEL (Ni) OVERALL.
 3. THIS PART CONFORMS TO MOLEX PRODUCT SPECIFICATION PS-73780-999.
 4. THIS PART CONFORMS TO COSMETIC SPECIFICATION PS-45499-002 CLASS C.
 5. RECOMMENDED PCB THICKNESS: 2.50 MIN.
 6. PACKAGE PER PK-70873-0870, PK-70873-0871 OR PK-70873-0875.
 7. PART MARKED WITH PART NUMBER AND DATE CODE APPROXIMATELY WHERE SHOWN.

LEAD FREE CONVERSION EC NO: UCP2013-3253 DRAWN:WHIPPLE 2013/02/04 CHKD:MMOLFE 2013/02/04 APPR:SMILLER 2013/08/05	QUALITY SYMBOLS ▽=0 ▽=0 ▽=0	GENERAL TOLERANCES (UNLESS SPECIFIED)		DIMENSION STYLE MM ONLY		SCALE 2:1	DESIGN UNITS METRIC	THIRD ANGLE PROJECTION	
		mm	INCH	DRAWN BY JB INGHAM	DATE 1997/03/07	TITLE SALES ASSEMBLY HDM BACKPLANE STACKING MOD CLOSED END OPT PRESSFIT	DOCUMENT NO. SD-73771-001		SHEET NO. 1 OF 2
REV H		DRAFT WHERE APPLICABLE MUST REMAIN WITHIN DIMENSIONS		MATERIAL NO. SEE CHART		THIS DRAWING CONTAINS INFORMATION THAT IS PROPRIETARY TO MOLEX INCORPORATED AND SHOULD NOT BE USED WITHOUT WRITTEN PERMISSION			



MATERIAL NUMBER ASSIGNMENT



LEAD FREE CONVERSION EC NO: UCP2013-3253 DRAWN BY WHIPPLE 2013/02/04 CHKD: MWOLFE 2013/02/04 APPR: SMILLER 2013/08/05	QUALITY SYMBOLS ▽=0 ▽=0 ▽=0	GENERAL TOLERANCES (UNLESS SPECIFIED) <table border="1"> <thead> <tr> <th></th> <th>mm</th> <th>INCH</th> </tr> </thead> <tbody> <tr> <td>4 PLACES</td> <td>± .---</td> <td>± .---</td> </tr> <tr> <td>3 PLACES</td> <td>± .---</td> <td>± .---</td> </tr> <tr> <td>2 PLACES</td> <td>± 0.05</td> <td>± .---</td> </tr> <tr> <td>1 PLACE</td> <td>± 0.10</td> <td>± .---</td> </tr> <tr> <td>0 PLACE</td> <td>± .---</td> <td>± .---</td> </tr> </tbody> </table>		mm	INCH	4 PLACES	± .---	± .---	3 PLACES	± .---	± .---	2 PLACES	± 0.05	± .---	1 PLACE	± 0.10	± .---	0 PLACE	± .---	± .---	DIMENSION STYLE MM ONLY DRAWN BY DATE JB INGHAM 1997/03/07 CHECKED BY DATE SREED 1997/03/07 APPROVED BY DATE CB IXLER 1997/03/07	SCALE 1:1 DESIGN UNITS METRIC THIRD ANGLE PROJECTION	TITLE SALES ASSEMBLY HDM BACKPLANE STACKING MOD CLOSED END OPT PRESSFIT
		mm	INCH																				
	4 PLACES	± .---	± .---																				
	3 PLACES	± .---	± .---																				
2 PLACES	± 0.05	± .---																					
1 PLACE	± 0.10	± .---																					
0 PLACE	± .---	± .---																					
MATERIAL NO. SEE TABLE	DOCUMENT NO. SD-73771-001	SHEET NO. 2 OF 2																					
DRAFT WHERE APPLICABLE MUST REMAIN WITHIN DIMENSIONS			THIS DRAWING CONTAINS INFORMATION THAT IS PROPRIETARY TO MOLEX INCORPORATED AND SHOULD NOT BE USED WITHOUT WRITTEN PERMISSION																				
REV H	DESCRIPTION																						