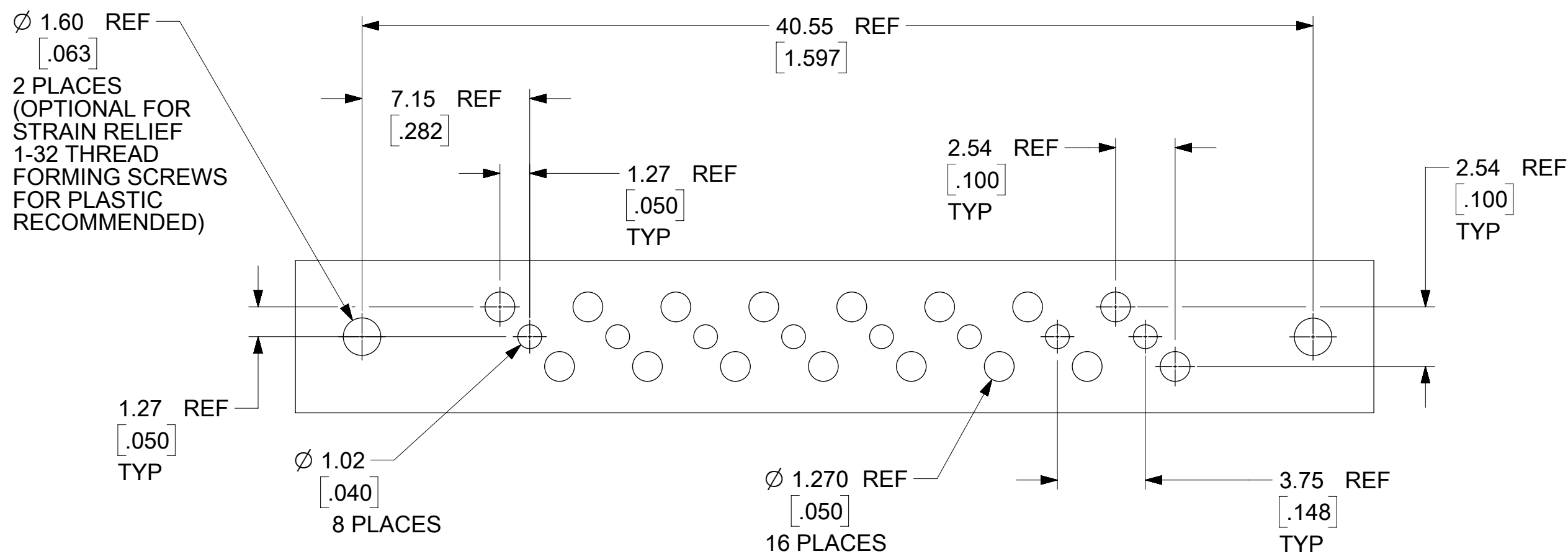
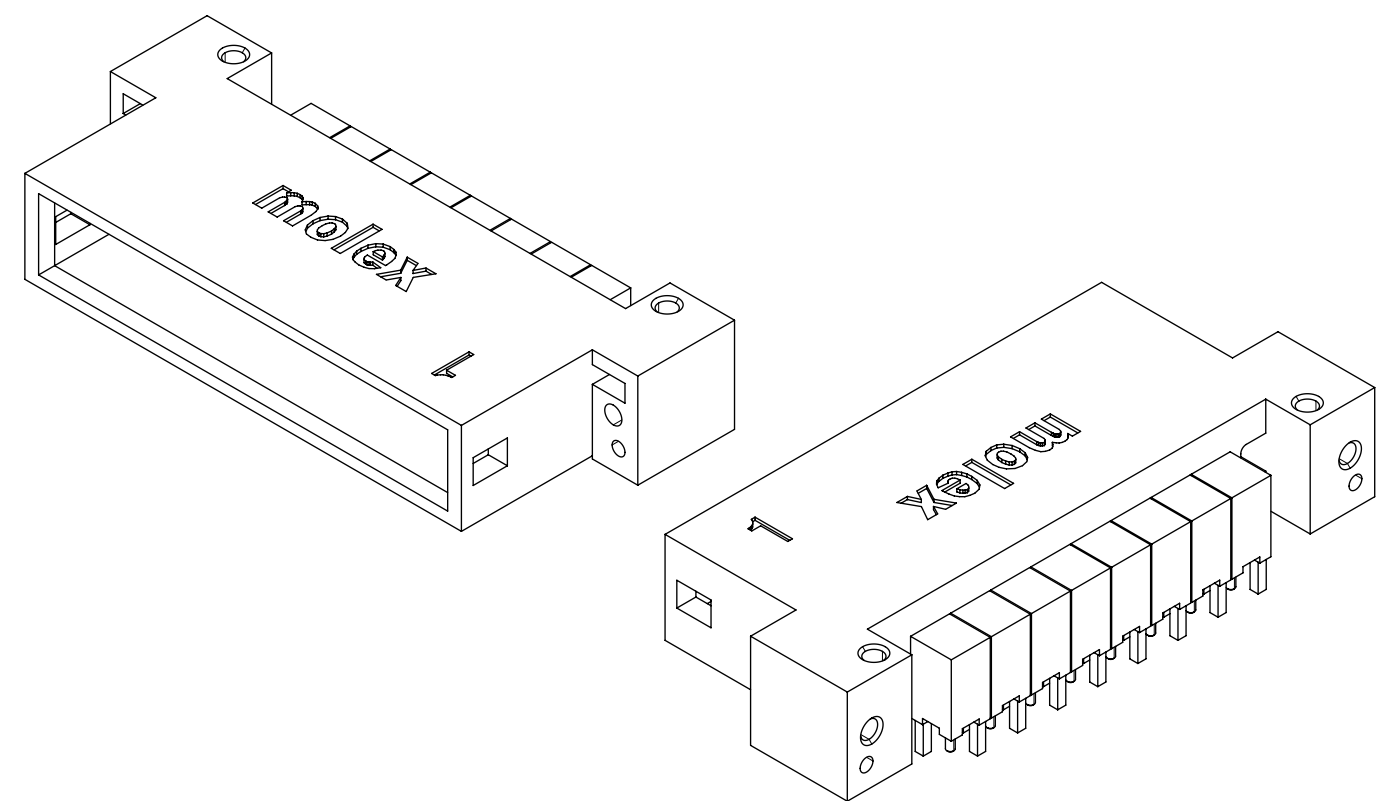
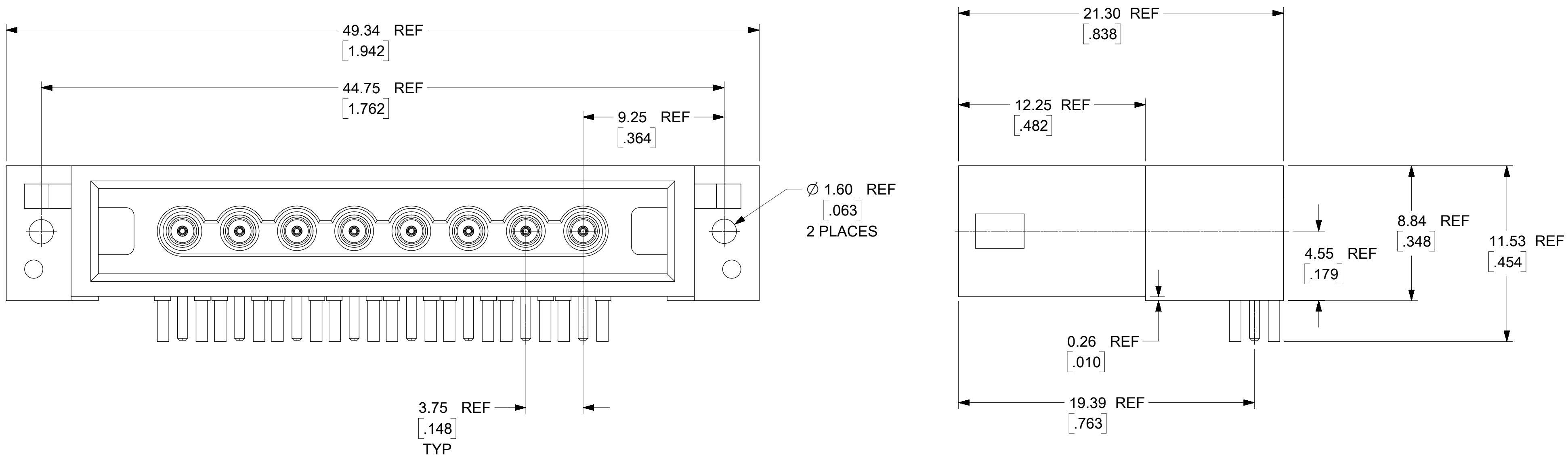


MATERIALS AND FINISHES:

MPRF JACK (73158-0010/-0011)  
SEE SD-73158-001

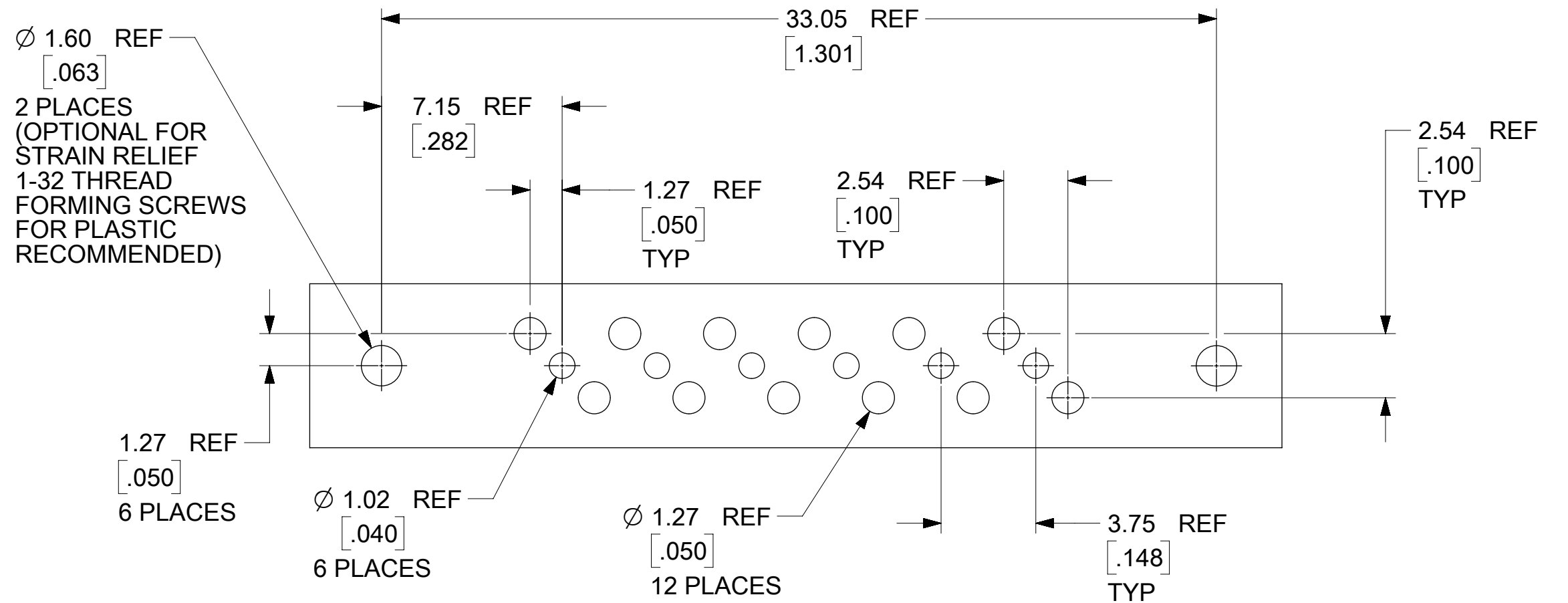
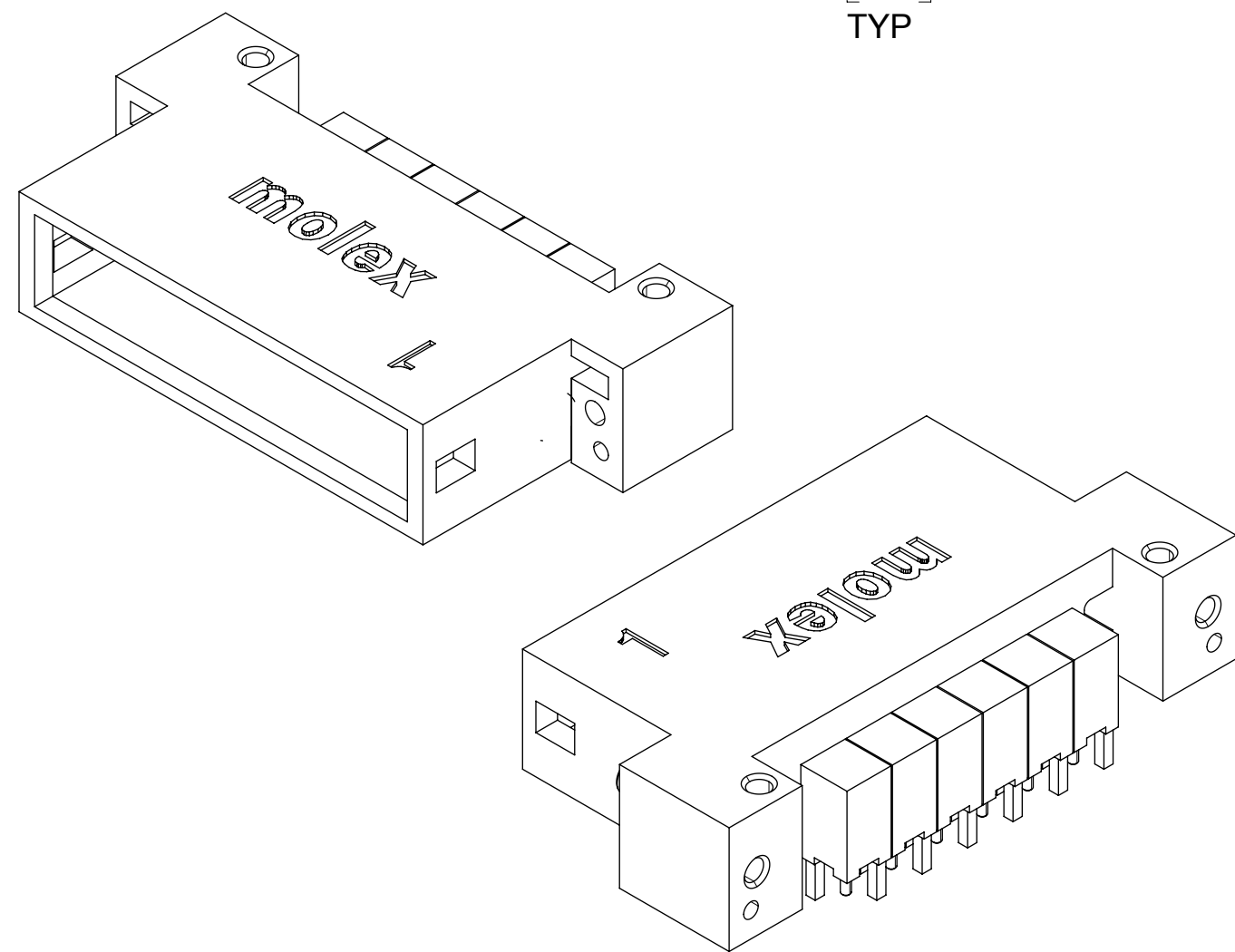
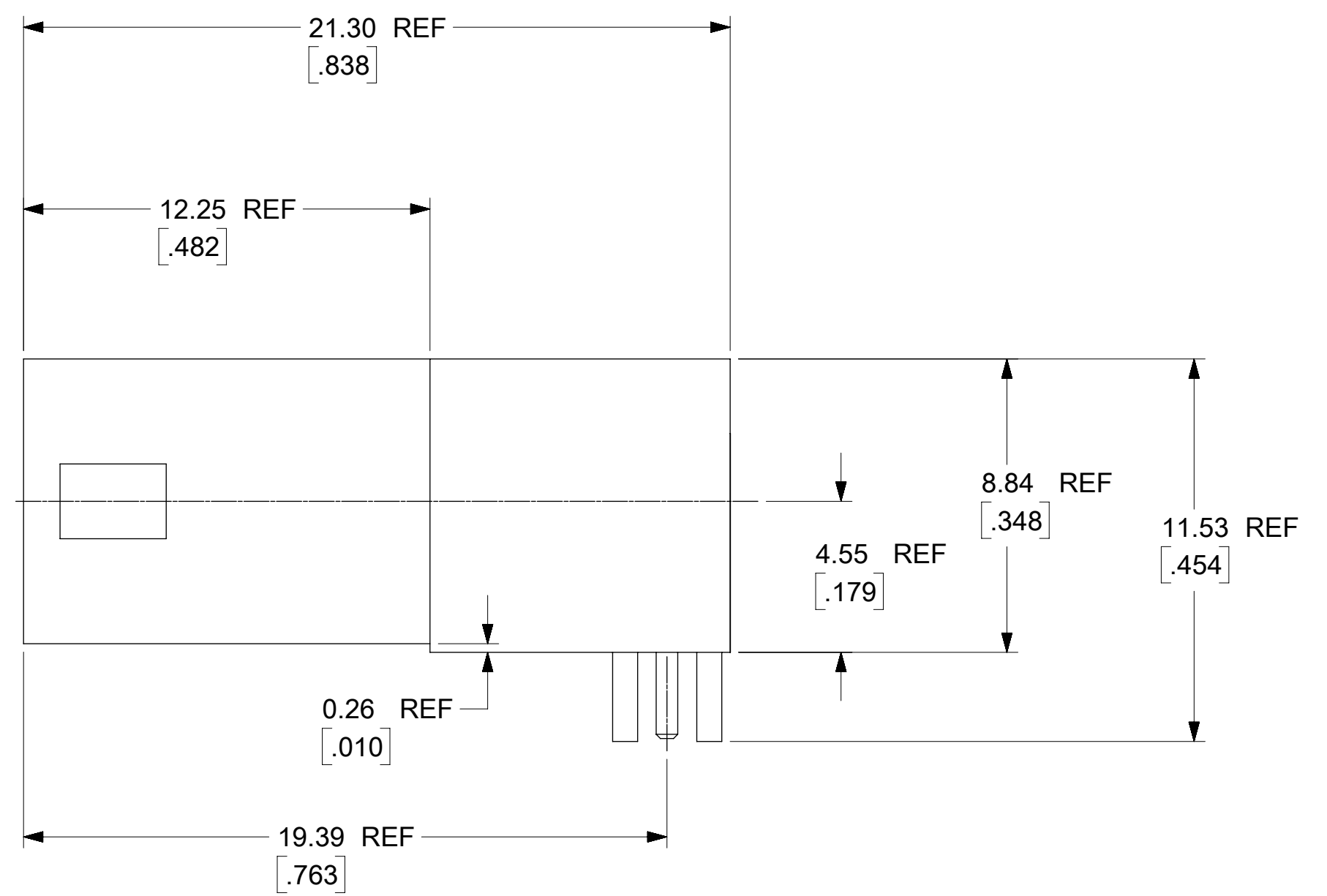
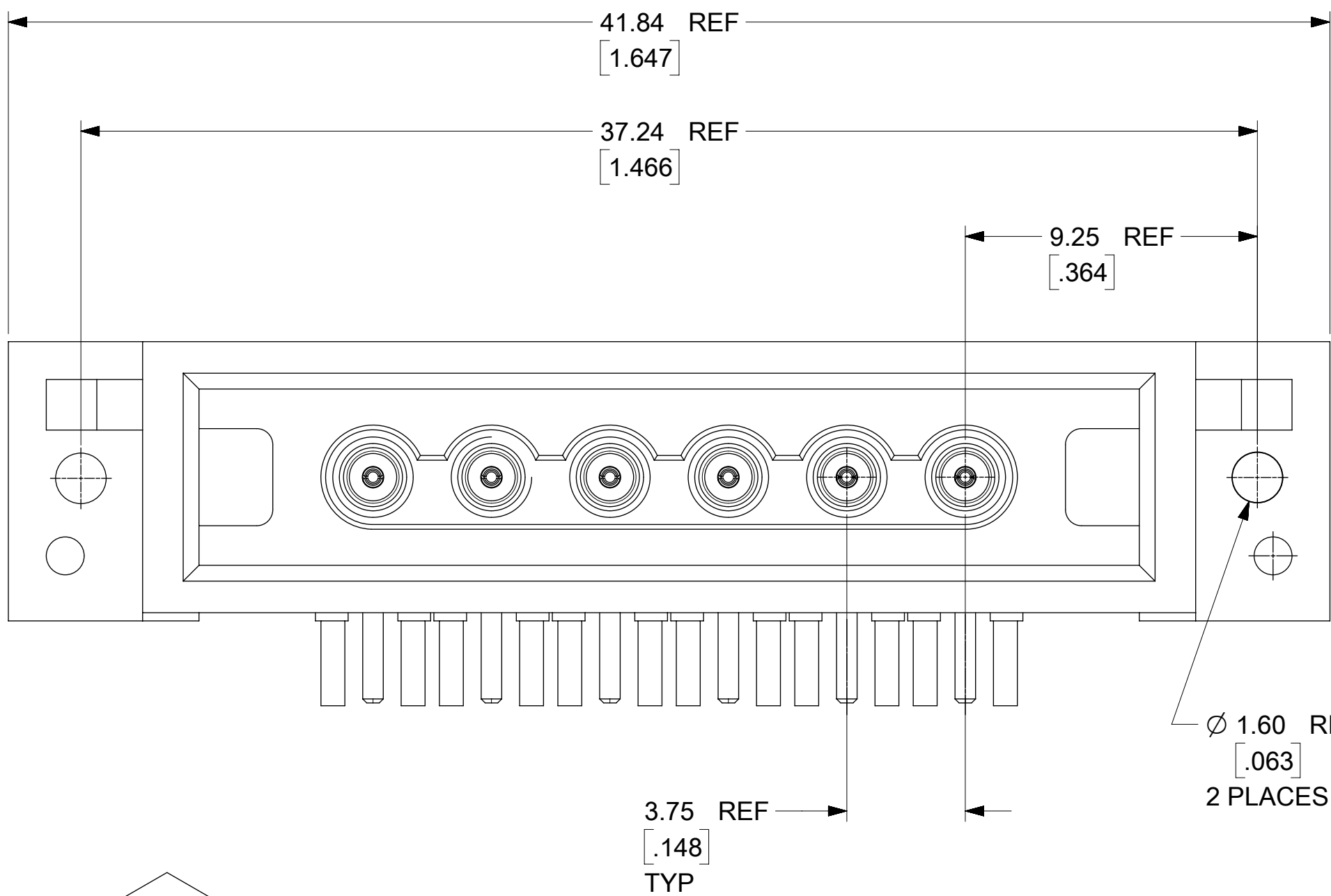
HOUSING HIGH TEMPERATURE NYLON  
UL94V-0  
COLOR : BLACK



RECOMMENDED PCB LAYOUT

73358-1041	STANDARD
73358-1040	NON MAGNETIC
PART NO.	STYLE

<b>SYMBOLS</b> ▽ = 0 ▽ = 0 ▽ = 0 ▽ = 0 ▽ = 0 ▽ = 0 ▽ = 0 ▽ = 0 ▽ = 0 ▽ = 0	THIS DRAWING CONTAINS INFORMATION THAT IS PROPRIETARY TO MOLEX ELECTRONIC TECHNOLOGIES, LLC AND SHOULD NOT BE USED WITHOUT WRITTEN PERMISSION		CURRENT REV DESC: REDRAWN AND REVISED				
	DIMENSION UNITS	SCALE	EC NO: 175019			MPRF GANG OF 4/6/8 JACK 50 OHMS RA PCB EWR-11982 MPRF-J	
	MM/IN	NTS	DRWN: BSHAH 2018/04/11				
	GENERAL TOLERANCES (UNLESS SPECIFIED)		CHK'D: SSSHAH 2018/04/17				
			APPR: AROBERTSON 2018/04/17				
4 PLACES ±		INITIAL REVISION:		DOCUMENT NUMBER	DOC TYPE	DOC PART	REVISION
3 PLACES ±		DRWN: SSHAH 2013/02/05		SD-73358-104	PSD	001	B3
2 PLACES ± 0.13 ± 0.01		APPR: JWIENER 2013/05/16		MATERIAL NUMBER	CUSTOMER	SHEET NUMBER	
1 PLACE ± 0.25 ±		DRAFT WHERE APPLICABLE MUST REMAIN WITHIN DIMENSIONS		SEE TABLE		1 OF 4	
0 PLACES ±		THIRD ANGLE PROJECTION		C-SIZE	73358		
ANGULAR TOL ± 2.0 °		DRAWING					

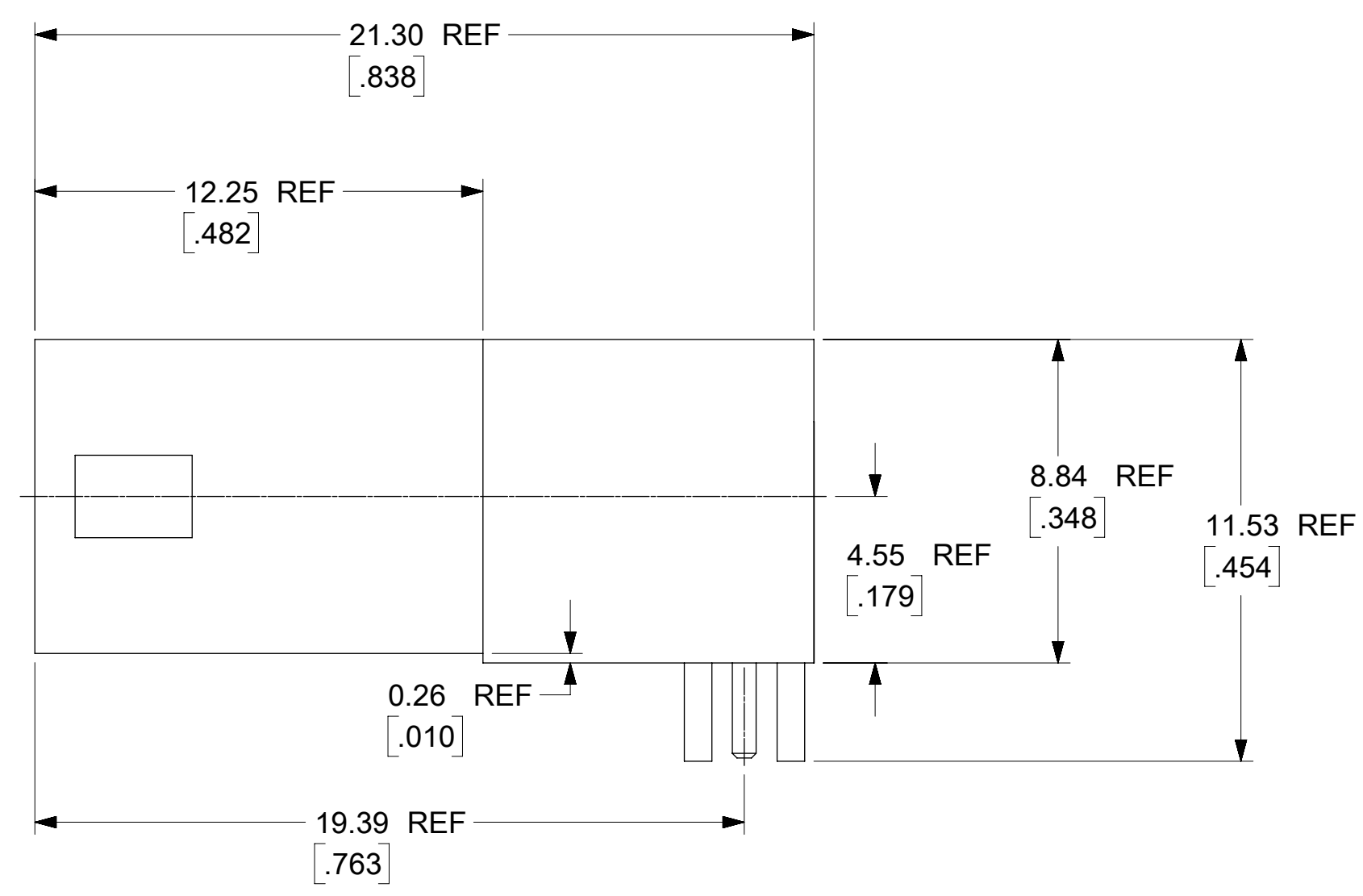
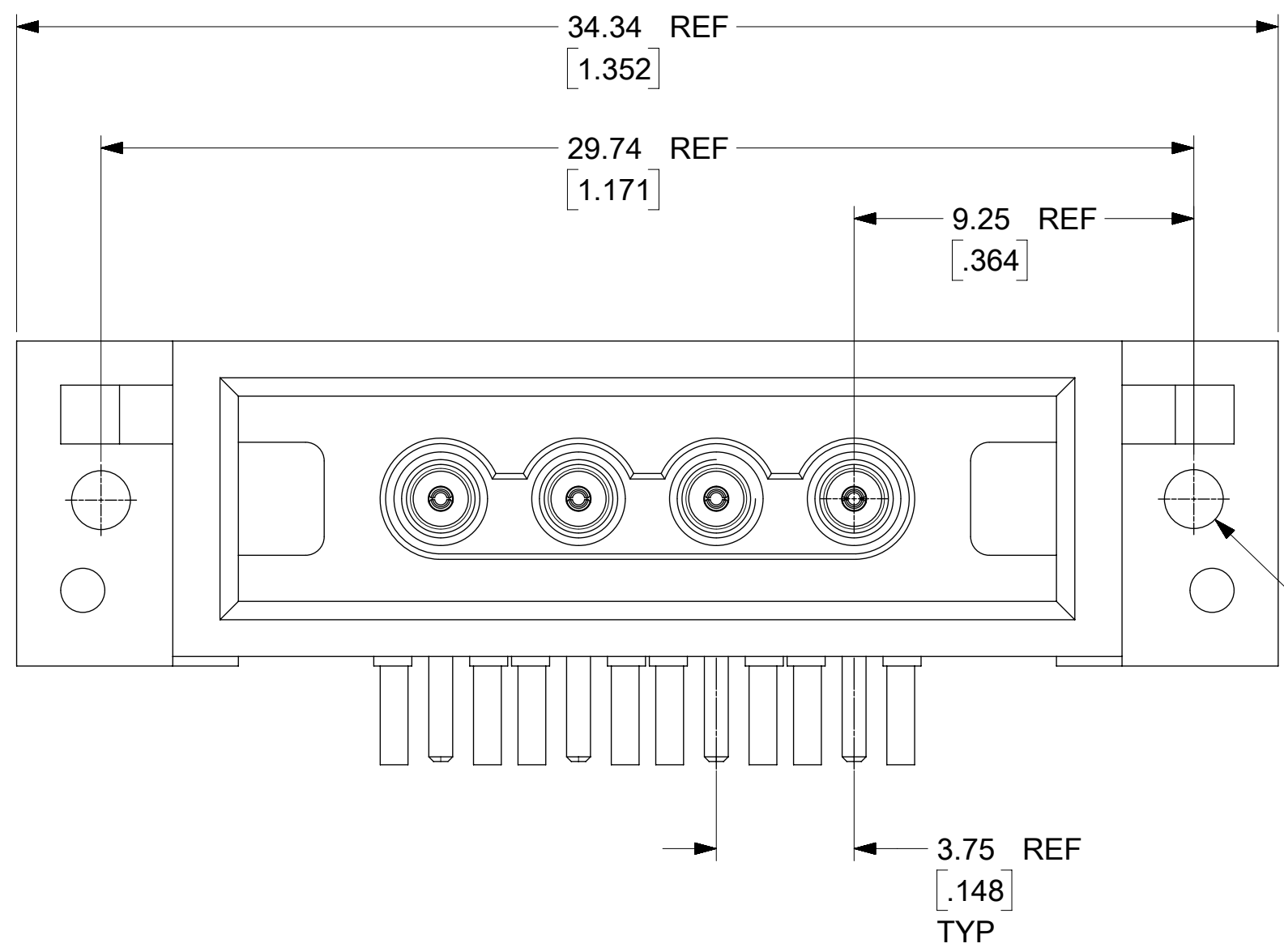


**RECOMMENDED PCB LAYOUT**

73358-1043	STANDARD
73358-1042	NON MAGNETIC
PART NO.	STYLE

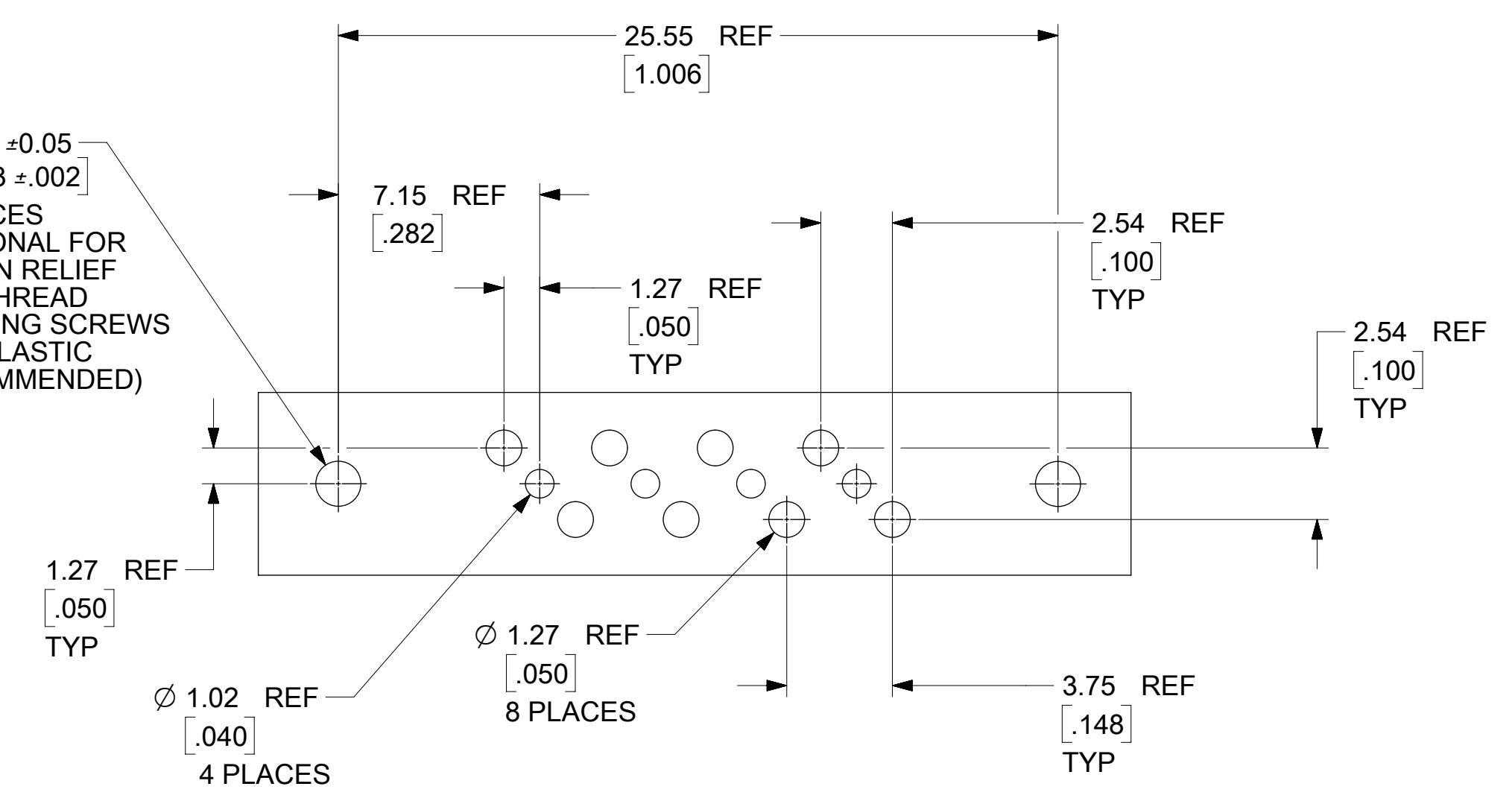
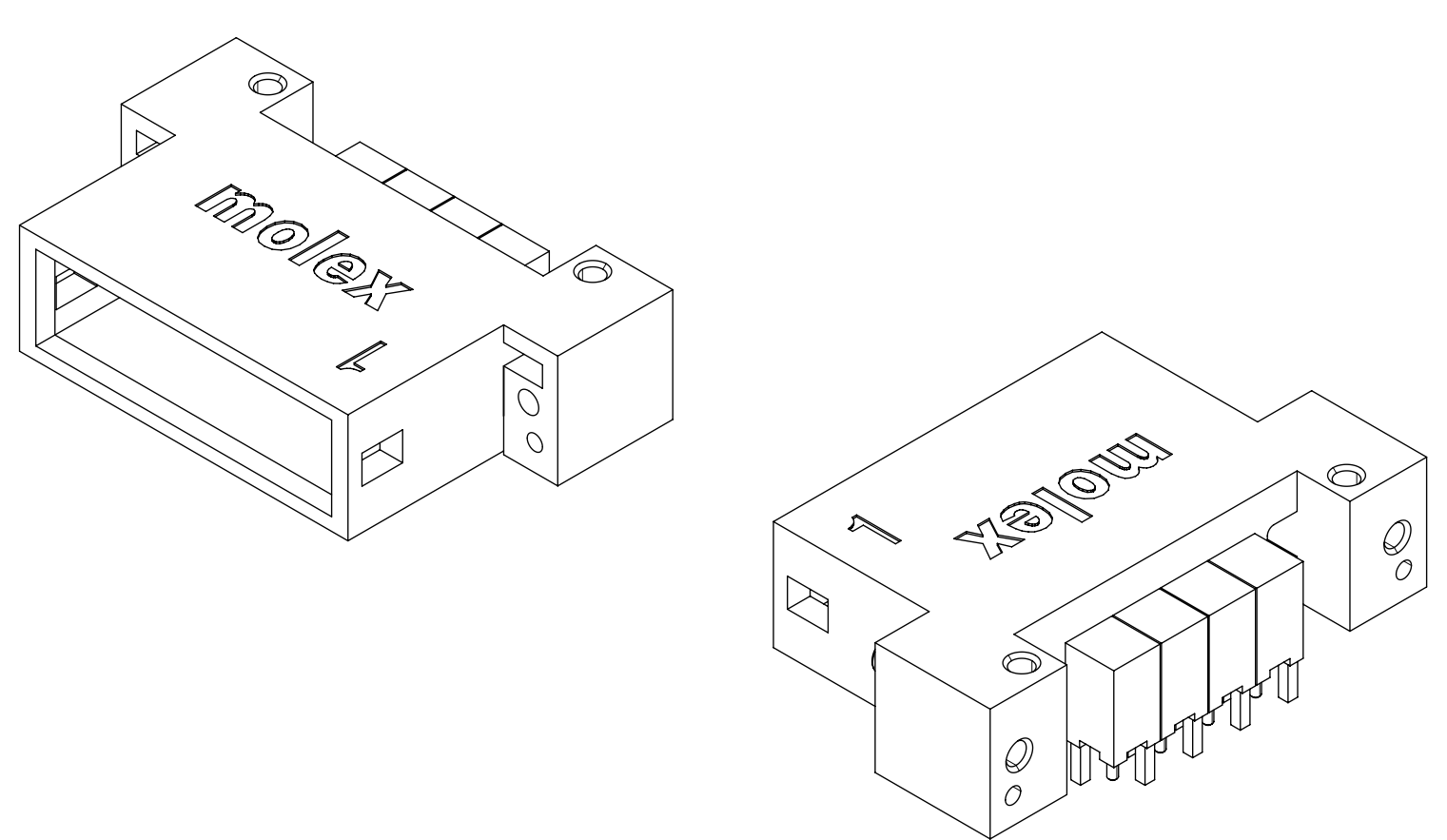
<b>SYMBOLS</b> ▽ = 0 ▽ = 0 ▽ = 0 ▽ = 0 ▽ = 0 ▽ = 0 ▽ = 0 ▽ = 0 ▽ = 0 ▽ = 0 ▽ = 0	THIS DRAWING CONTAINS INFORMATION THAT IS PROPRIETARY TO MOLEX ELECTRONIC TECHNOLOGIES, LLC AND SHOULD NOT BE USED WITHOUT WRITTEN PERMISSION DIMENSION UNITS: MM/IN SCALE: NTS		CURRENT REV DESC: REDRAWN AND REVISED																			
	GENERAL TOLERANCES (UNLESS SPECIFIED)		EC NO: 175019																			
	<table border="1"> <tr> <th></th> <th>MM</th> <th>INCH</th> </tr> <tr> <td>4 PLACES</td> <td>±</td> <td>±</td> </tr> <tr> <td>3 PLACES</td> <td>±</td> <td>± 0.005</td> </tr> <tr> <td>2 PLACES</td> <td>± 0.13</td> <td>± 0.01</td> </tr> <tr> <td>1 PLACE</td> <td>± 0.25</td> <td>±</td> </tr> <tr> <td>0 PLACES</td> <td>±</td> <td>±</td> </tr> </table>			MM	INCH	4 PLACES	±	±	3 PLACES	±	± 0.005	2 PLACES	± 0.13	± 0.01	1 PLACE	± 0.25	±	0 PLACES	±	±	DRWN: BSHAH 2018/04/11 CHK'D: SSSHAH 2018/04/17 APPR: AROBERTSON 2018/04/17	
		MM	INCH																			
4 PLACES	±	±																				
3 PLACES	±	± 0.005																				
2 PLACES	± 0.13	± 0.01																				
1 PLACE	± 0.25	±																				
0 PLACES	±	±																				
DRAFT WHERE APPLICABLE MUST REMAIN WITHIN DIMENSIONS		THIRD ANGLE PROJECTION		DRAWING: C-SIZE SERIES: 73358																		

<b>molex</b>			
MPRF GANG OF 4/6/8 JACK 50 OHMS RA PCB EWR-11982 MPRF-J			
PRODUCT CUSTOMER DRAWING			
DOCUMENT NUMBER		DOC TYPE	DOC PART
<b>SD-73358-104</b>		PSD	001
MATERIAL NUMBER		CUSTOMER	SHEET NUMBER
SEE TABLE			2 OF 4



Ø 1.60 REF  
[.063]  
2 PLACES

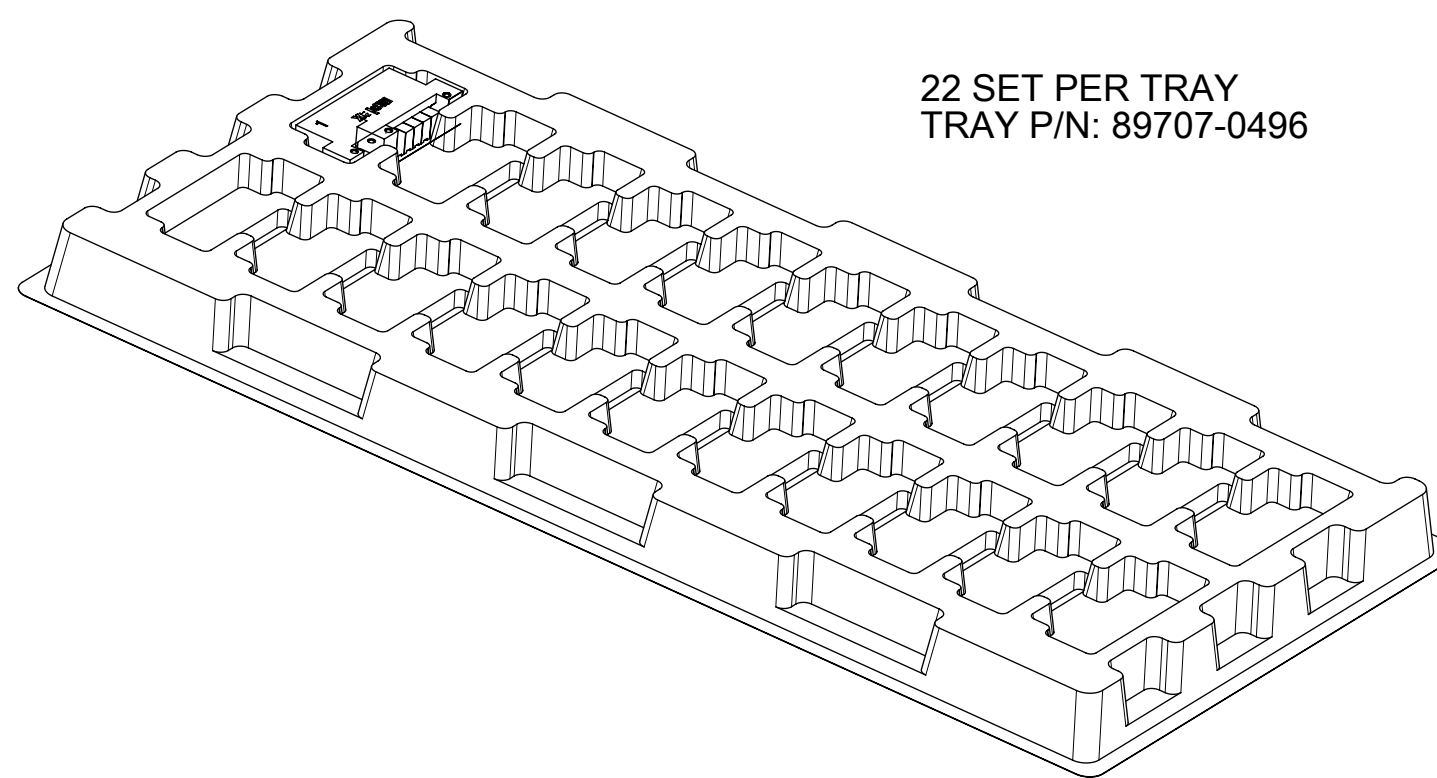
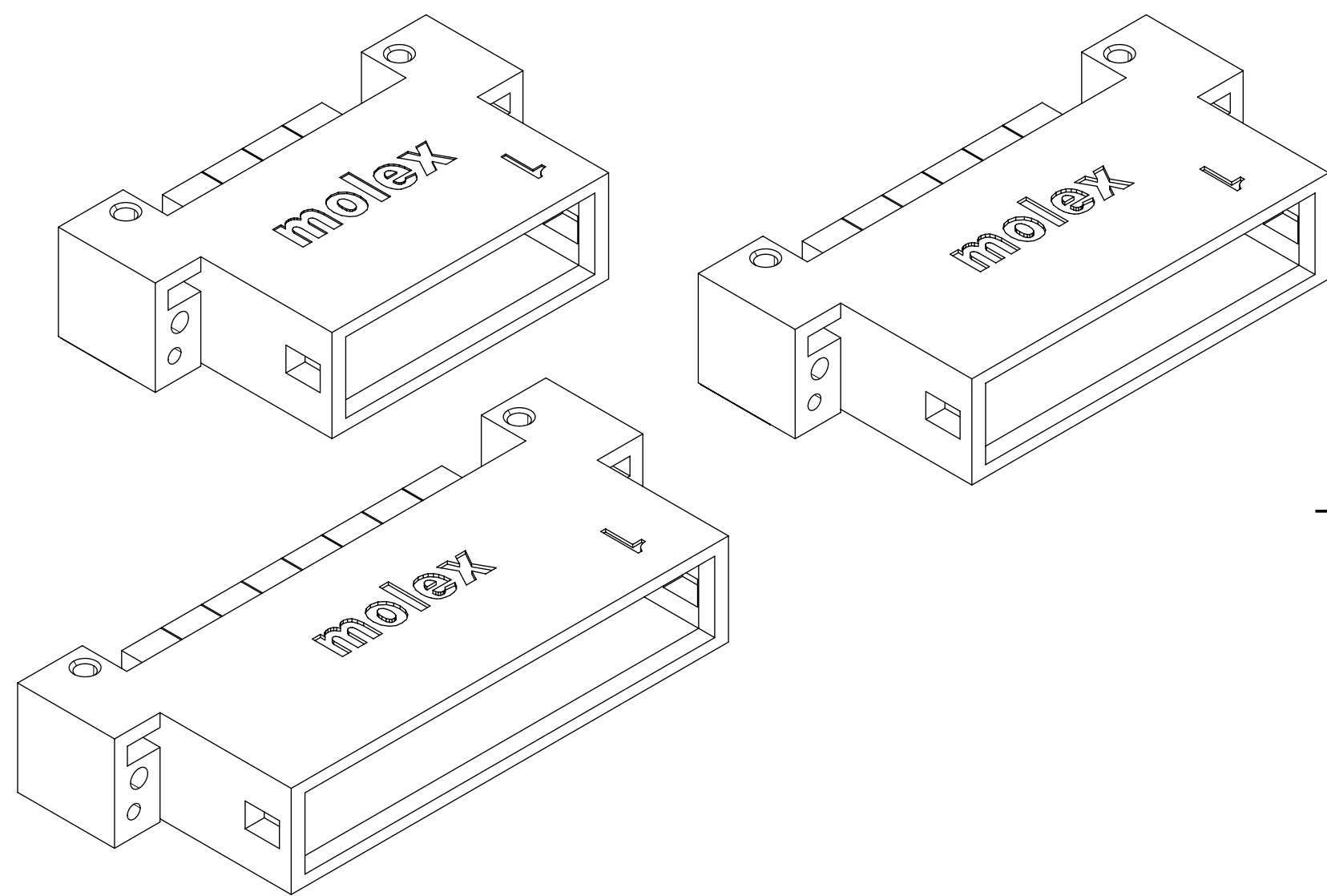
Ø 1.60 ±0.05  
[.063 ±.002]  
2 PLACES  
(OPTIONAL FOR STRAIN RELIEF  
1-32 THREAD  
FORMING SCREWS FOR PLASTIC  
RECOMMENDED)



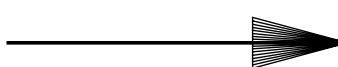
73358-1045	STANDARD
73358-1044	NON MAGNETIC
PART NO.	STYLE

RECOMMENDED PCB LAYOUT

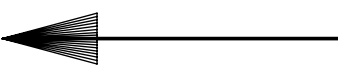
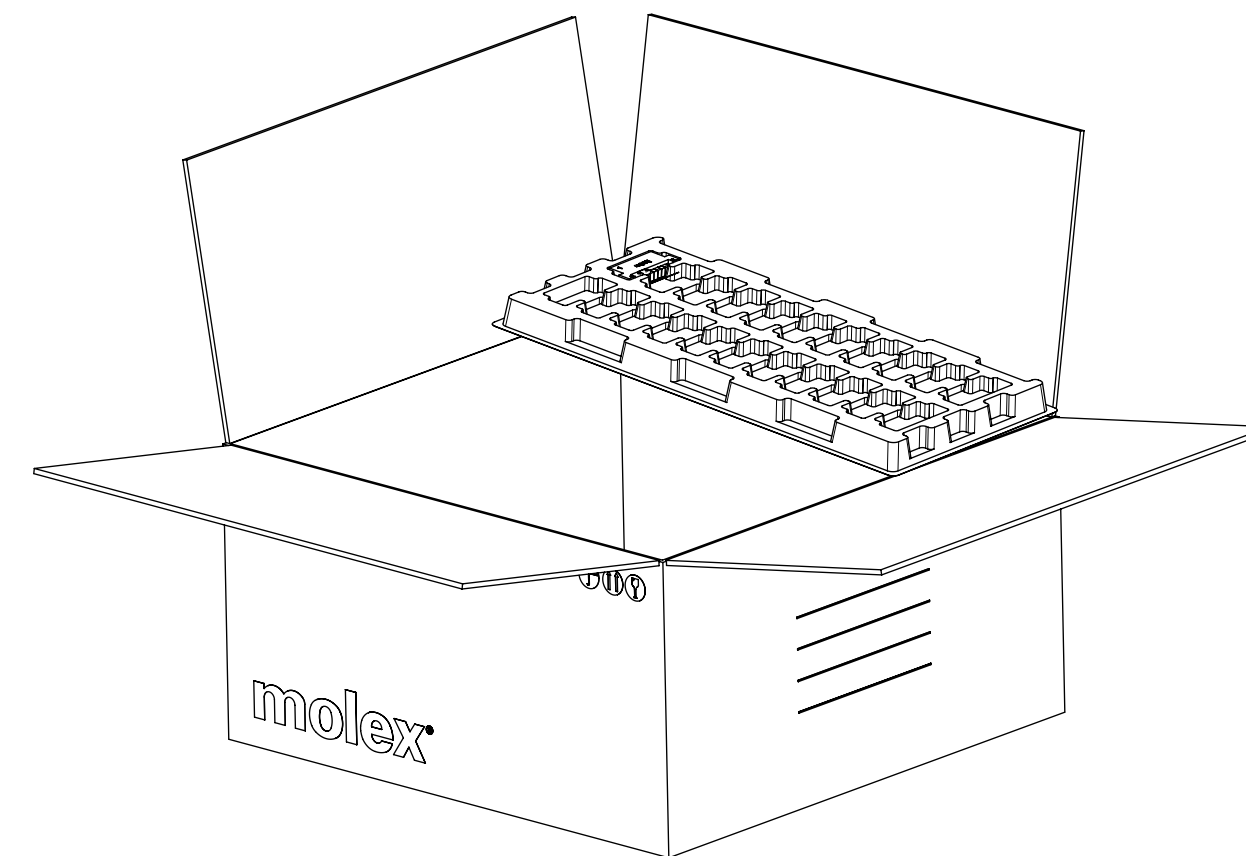
<b>SYMBOLS</b> ▽ = 0 ▽ = 0 ▽ = 0 ▽ = 0 ▽ = 0 ▽ = 0 ▽ = 0 ▽ = 0 ▽ = 0 ▽ = 0 ▽ = 0 ▽ = 0 ▽ = 0	THIS DRAWING CONTAINS INFORMATION THAT IS PROPRIETARY TO MOLEX ELECTRONIC TECHNOLOGIES, LLC AND SHOULD NOT BE USED WITHOUT WRITTEN PERMISSION		CURRENT REV DESC: REDRAWN AND REVISED			
	DIMENSION UNITS		SCALE			EC NO: 175019 DRWN: BSHAH 2018/04/11 CHK'D: SSSHAH 2018/04/17 APPR: AROBERTSON 2018/04/17
	MM/IN		NTS			
	GENERAL TOLERANCES (UNLESS SPECIFIED)					INITIAL REVISION:
4 PLACES ±		±		DRWN: SSHAH 2013/02/05		
3 PLACES ±		± 0.005		APPR: JWIENER 2013/05/16		
2 PLACES ± 0.13		± 0.01		DOCUMENT NUMBER		
1 PLACE ± 0.25		±		SD-73358-104		
0 PLACES ±		±		DOC TYPE DOC PART REVISION		
ANGULAR TOL ± 2.0 °				PSD 001 B3		
DRAFT WHERE APPLICABLE MUST REMAIN WITHIN DIMENSIONS		THIRD ANGLE PROJECTION		MATERIAL NUMBER CUSTOMER SHEET NUMBER		
				SEE TABLE		
		C-SIZE		73358		
				3 OF 4		



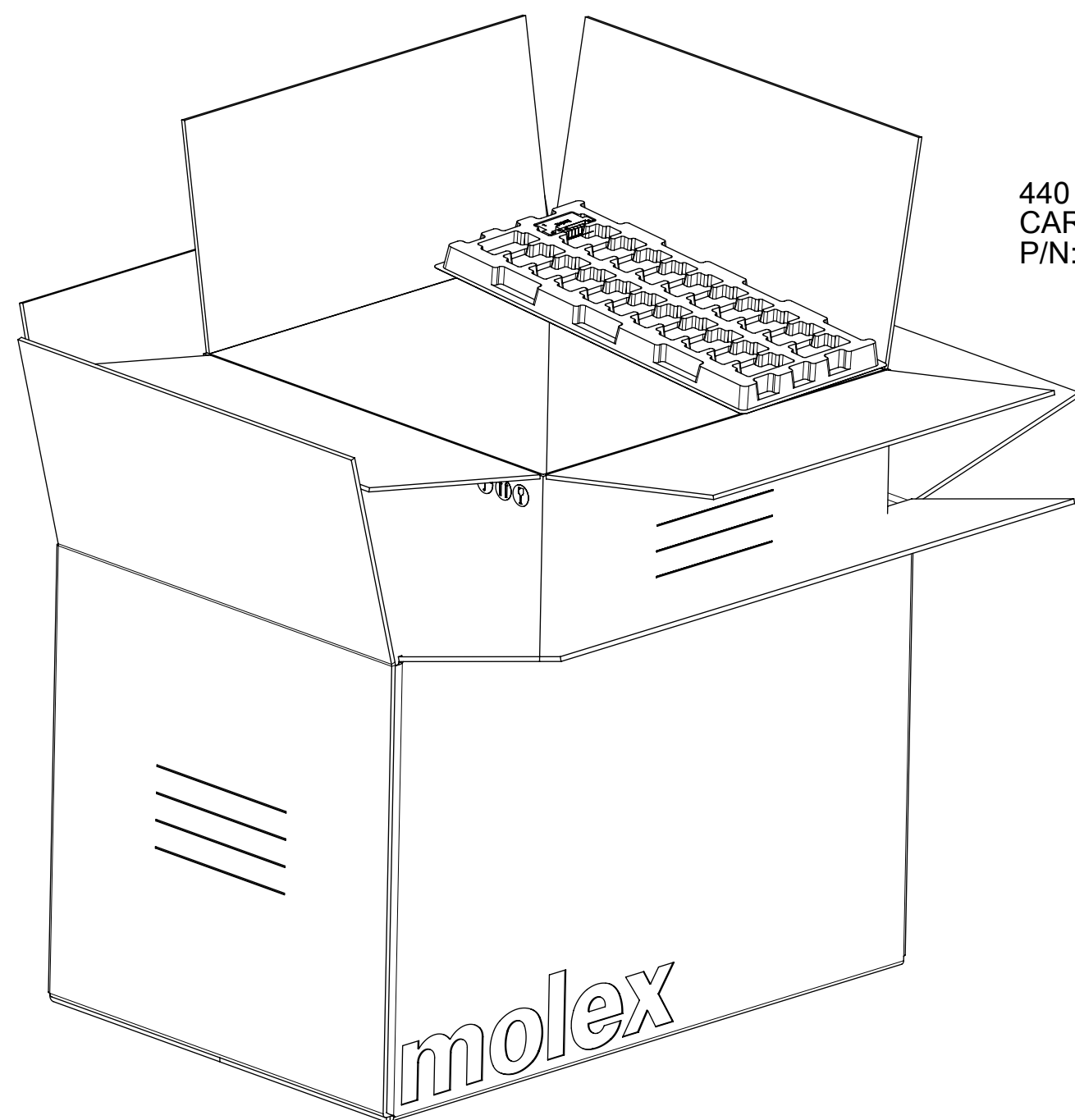
22 SET PER TRAY  
TRAY P/N: 89707-0496




220 SET PER INNER  
CARTON BOX  
P/N: 96707-0001



440 SET PER OUTER  
CARTON BOX  
P/N: 96707-0005



SYMBOLS	THIS DRAWING CONTAINS INFORMATION THAT IS PROPRIETARY TO MOLEX ELECTRONIC TECHNOLOGIES, LLC AND SHOULD NOT BE USED WITHOUT WRITTEN PERMISSION						
	DIMENSION UNITS	SCALE		CURRENT REV DESC: REDRAWN AND REVISED			 MPRF GANG OF 4/6/8 JACK 50 OHMS RA PCB EWR-11982 MPRF-J
▽ = 0	mm	NTS		EC NO: 175019			
▽ = 0	GENERAL TOLERANCES (UNLESS SPECIFIED)			DRWN: BSHAH 2018/04/11			DOC TYPE
▽ = 0		MM	INCH	CHK'D: SSSHAH 2018/04/17			DOC PART
▽ = 0	4 PLACES	±	±	APPR: AROBERTSON 2018/04/17			REVISION
▽ = 0	3 PLACES	±	± 0.005	INITIAL REVISION:			SD-73358-104
▽ = 0	2 PLACES	± 0.13	± 0.01	DRWN: SSHAH 2013/02/05			
▽ = 0	1 PLACE	± 0.25	±	APPR: JWIENER 2013/05/16			MATERIAL NUMBER
▽ = 0	0 PLACES	±	±	DRAFT WHERE APPLICABLE MUST REMAIN WITHIN DIMENSIONS			
▽ = 0	ANGULAR TOL	± 2.0 °		THIRD ANGLE PROJECTION			SHEET NUMBER
▽ = 0				DRAWING SERIES			
				C-SIZE 73358			