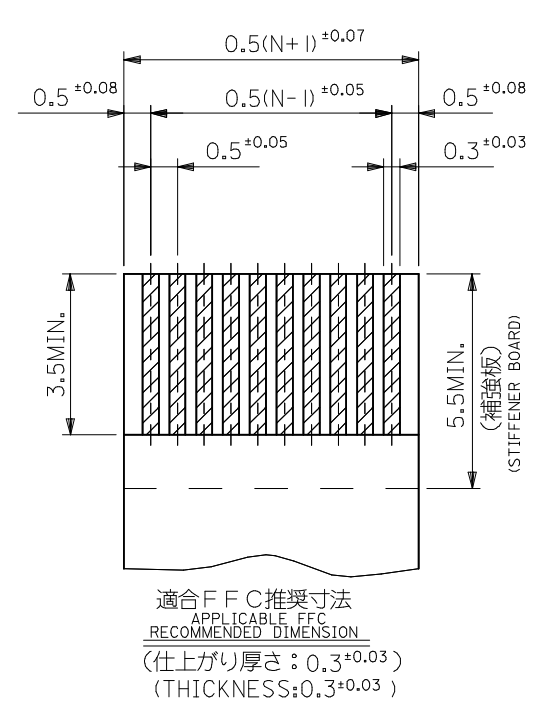
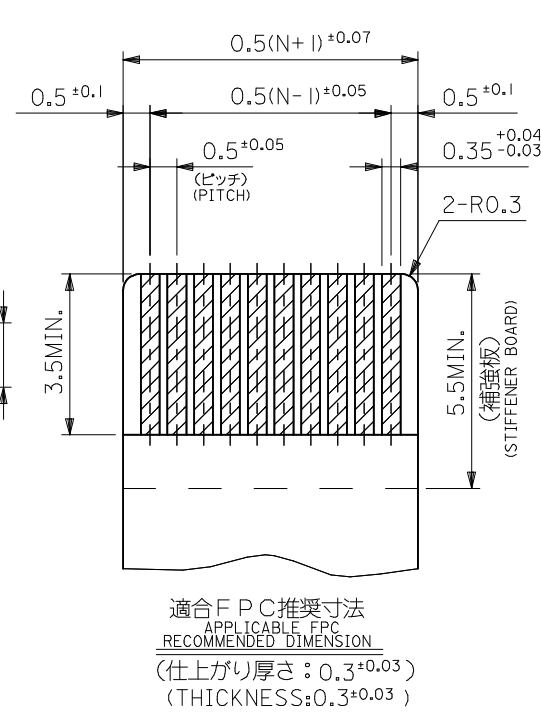
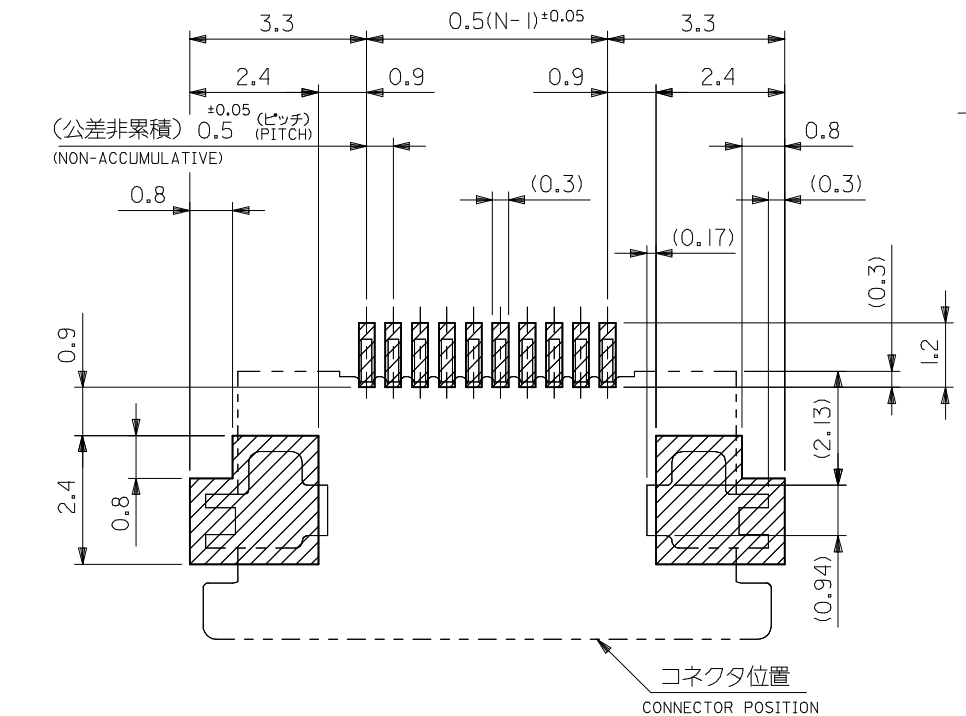


| | | | | | | |
|------|------|-------|------|------------------|--------------|--------------|
| 30.5 | 29.3 | 25.65 | 24.5 | 54104-5096 | 54104 - 5039 | 50 |
| 28.5 | 27.3 | 23.65 | 22.5 | 54104-4696 | 54104 - 4639 | 46 |
| 28.0 | 26.8 | 23.15 | 22.0 | 54104-4596 | 54104 - 4539 | 45 |
| 27.0 | 25.8 | 22.15 | 21.0 | 54104-4396 | 54104 - 4339 | 43 |
| 25.5 | 24.3 | 20.65 | 19.5 | 54104-4096 | 54104 - 4039 | 40 |
| 24.5 | 23.3 | 19.65 | 18.5 | 54104-3896 | 54104 - 3839 | 38 |
| 23.5 | 22.3 | 18.65 | 17.5 | 54104-3696 | 54104 - 3639 | 36 |
| 23.0 | 21.8 | 18.15 | 17.0 | 54104-3596 | 54104 - 3539 | 35 |
| 22.5 | 21.3 | 17.65 | 16.5 | 54104-3496 | 54104 - 3439 | 34 |
| 22.0 | 20.8 | 17.15 | 16.0 | 54104-3396 | 54104 - 3339 | 33 |
| 21.5 | 20.3 | 16.65 | 15.5 | 54104-3296 | 54104 - 3239 | 32 |
| 20.5 | 19.3 | 15.65 | 14.5 | 54104-3096 | 54104 - 3039 | 30 |
| D | C | B | A | EMBOSSED TAPE | | MATERIAL NO. |
| | | | | ORDER No. オータ-番号 | | CIRCUIT |

金具
FITTING NAIL

| | | | | | | | |
|---|---------------------------------------|-------|--|-------------------|--|------------------------|------------------------|
| REVISED EC NO: J2008-4308 DRWN: NABEI 2008/06/27 CHKD: THARUYAMA 2008/06/30 APPR: NUKITA 2008/06/30 | GENERAL TOLERANCES (UNLESS SPECIFIED) | | DIMENSION STYLE MM ONLY | | SCALE --- | DESIGN UNITS METRIC | THIRD ANGLE PROJECTION |
| | 10 UNDER | ±0.2 | DRAWN BY Y. SAKIYAMA | DATE '04/01/22 | TITLE 0.5 FPC CONN ZIF HSG ASSY FOR SMT RA UPR CONT -LEAD FREE- | | |
| | 10 OVER 30 UNDER | ±0.25 | CHECKED BY M. SASAO | DATE '04/01/22 | MOLEX INCORPORATED | | |
| | 30 OVER | ±0.3 | APPROVED BY M. SASAO | DATE '04/01/22 | DOCUMENT NO. SD-54104-071 | | SHEET NO. 1 OF 2 |
| | ANGULAR ±3° | | DRAFT WHERE APPLICABLE MUST REMAIN WITHIN DIMENSIONS | | SEE TABLE | | |
| THIS DRAWING CONTAINS INFORMATION THAT IS PROPRIETARY TO MOLEX INCORPORATED AND SHOULD NOT BE USED WITHOUT WRITTEN PERMISSION | | | | | | | |



参考基板レイアウト
RECOMMENDED P.C. BOARD
PATTERN DIMENSION (REF.)
(マウント面)
(MOUNTING SIDE)

適合FPC推奨寸法
APPLICABLE FPC
RECOMMENDED DIMENSION
(仕上がり厚さ: 0.3±0.03)
(THICKNESS: 0.3±0.03)

適合FFC推奨寸法
APPLICABLE FFC
RECOMMENDED DIMENSION
(仕上がり厚さ: 0.3±0.03)
(THICKNESS: 0.3±0.03)

注記 NOTES

1. 使用材料 MATERIAL
- ハウジング HOUSING : 46ナイロン, UL94V-0 46NYLON
 - アクチュエータ ACTUATOR : PPS, UL94V-0
 - ターミナル TERMINAL : リン青銅, ニッケル下地 鍍ビスマスマッキ (t=0.2) PHOS-BRONZE, TIN-BISMUTH OVER NICKEL PLATING. (t=0.2)
 - 金具 FITTING NAIL : リン青銅, ニッケル下地 鍍メッキ (t=0.2) PHOS-BRONZE, TIN OVER NICKEL PLATING. (t=0.2)
2. エンボステープ梱包時は、アクチュエータがロックした状態とする。
IN THE PACKAGE, ACTUATOR OF PART NO.54104-***39 SHOULD BE LOCKED.
- △ソルダーテール半田付け面のスレ量、及び金具半田付け面のスレ量は、基準面 H に対し上方向 0.1 MAX. 下方向 0.15 MAX. とし、相互のパラッキ量は、0.1 MAX. とする。
MISALIGNMENT OF SOLDER TAILS AND FITTING NAILS FROM UPPER DIRECTION: 0.1 MAX., LOWER DIRECTION: 0.15 MAX. OFFSET BETWEEN UPPER AND LOWER 0.1 MAX. H
- △偶数極に適用。
APPLY FOR EVEN CIRCUIT.
- △パターンはくり止め用金具
FITTING NAIL FOR PREVENTION OF PEELING OF P.C.B. PATTERN.
6. 本製品は 54104-***37 の鉛フリー品である。
THIS PRODUCT IS LEAD FREE OF 54104-***37.

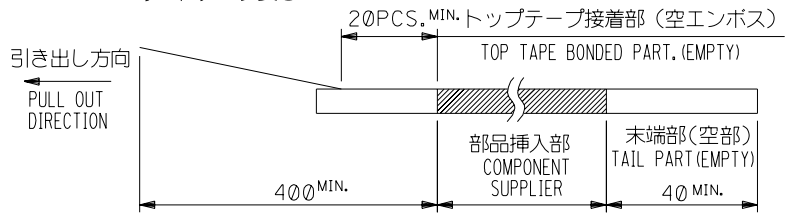
FPC/FFCについて
打抜き方向は導体側から補強板側を推奨いたします。
導体部については軟銅箔35マイクロメートルまたは50マイクロメートルメッキ厚 3~9マイクロメートル鍍または半田メッキ (電気メッキ)
RECOMMENDED PUNCHER DIRECTION:
FROM CONDUCTOR SIDE TO STIFFENER BOARD SIDE.
RECOMMENDED CONDUCTOR SPEC.:
THICKNESS OF SOFT COPPER FOIL:
35 micrometer or 50 micrometer
TIN OR SOLDER PLATING:
3~9 micrometer (ELECTRICAL PLATING)

FPCについて
補強フィルム材質はポリイミドを推奨致します。
接着剤は熱硬化接着剤を推奨致します。
RECOMMENDED MATERIAL:
STIFFENER FILM : POLYIMIDE
BONDING AGENT : THERMOSETTING BONDING AGENT

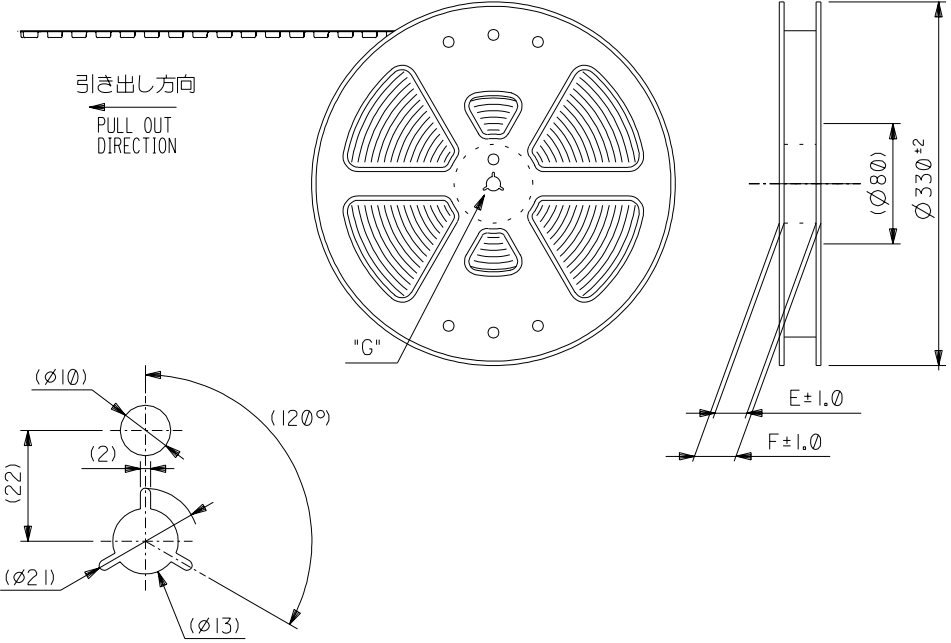
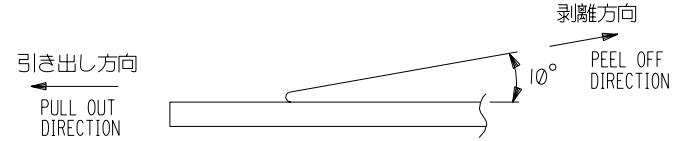
| | | | | | | | | |
|--|---|---------------------------------------|--|----------------------------|-------------------|--------------------|---|---------------------------|
| REVISED EC NO: J2008-4308 DRWN: WABEI CHKD: T. HARUYAMA APPR: NUKITA | DESCRIPTION 2008/06/27 2008/06/30 | GENERAL TOLERANCES (UNLESS SPECIFIED) | | DIMENSION STYLE MM ONLY | | SCALE --- | 54104-***39 | MODEL NO. |
| | | 10 UNDER | ±0.2 | DRAWN BY Y. SAKIYAMA | DATE '04/01/22 | TITLE | 0.5 FPC CONN ZIF HSG ASSY FOR SMT RA UPR CONT -LEAD FREE- | THIRD ANGLE PROJECTION |
| | | 10 OVER 30 UNDER | ±0.25 | CHECKED BY M. SASAO | DATE '04/01/22 | MOLEX INCORPORATED | | |
| | | 30 OVER | ±0.3 | APPROVED BY M. SASAO | DATE '04/01/22 | DOCUMENT NO. | SD-54104-071 | SHEET NO. 2 OF 2 |
| | | ANGULAR | ±3 ° | MATERIAL NO. | SEE SHEET 1 | | | |
| DRAFT WHERE APPLICABLE MUST REMAIN WITHIN DIMENSIONS | | SIZE A3 | THIS DRAWING CONTAINS INFORMATION THAT IS PROPRIETARY TO MOLEX INCORPORATED AND SHOULD NOT BE USED WITHOUT WRITTEN PERMISSION | | | | | |

NOTES

- 梱包数量：1500個/リール
NUMBER OF CONNECTORS : 1500PCS/REEL
- リードテープ長さ LEAD TAPE LENGTH



- トップテープの剥離強度：0.1～1.3N (10～130gf)
(剥離方向は下図参照)
尚、本規格値は出荷時に適用。(但し、輸送時に剥離が発生しないこと。)
PEELING OFF FORCE OF TOP TAPE : 0.1～1.3N (10～130gf)
(PEELING DIRECTION AS SHOWN IN FOLLOWING FIG.)
THIS REQUIREMENT SHOULD BE APPLIED AT SHIPMENT.
PEEL OFF SHOULD NOT BE ALLOWED , DURING TRANSPORTATION.

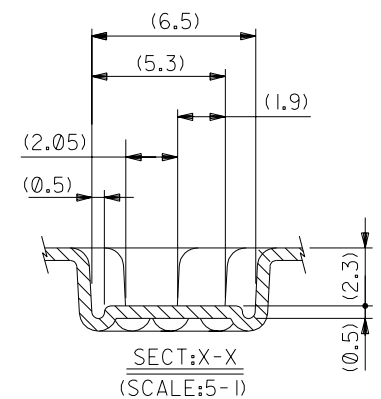
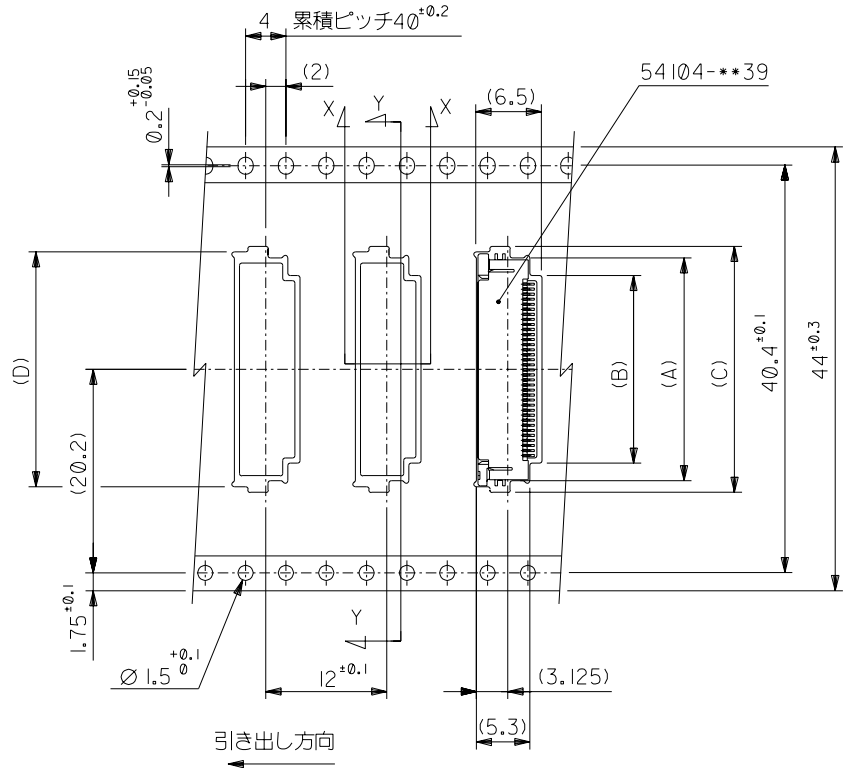
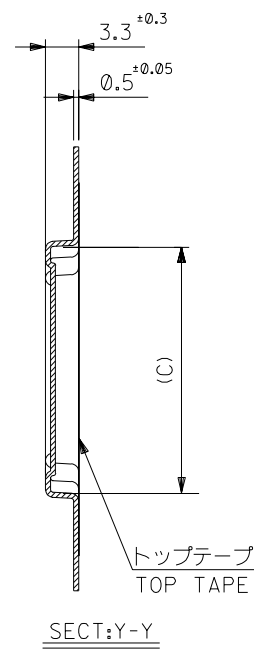


DETAIL "G"

- 材料(MATERIAL)
キャリアテープ(CARRIER TAPE)：ポリプロピレン(POLYPROPYLENE)
トップテープ(TOPTAPE)：PET , PE , PEF
リール(REEL)：ポリスチレン(PS)<リサイクル材を含む>
POLYSTYRENE (PS) <RECYCLE MATERIAL CONTAINED>
- 本製品は 54104-***92 の鉛フリー品である。
THIS PRODUCT IS LEAD FREE OF 54104-***92.

| | | | | | | | | | |
|--------------------------------|------|------|------|------------|------|------|------------|--------------|---------|
| 44 | 49.4 | 45.4 | 30.8 | 31.9 | 26.1 | 29.6 | 54104-5096 | 50 | |
| | | | 28.8 | 29.9 | 24.1 | 27.6 | -4696 | 46 | |
| | | | 28.3 | 29.4 | 23.6 | 27.1 | -4596 | 45 | |
| | | | 27.3 | 28.4 | 22.6 | 26.1 | -4396 | 43 | |
| | | | 25.8 | 26.9 | 21.1 | 24.6 | -4096 | 40 | |
| | | | 24.8 | 25.9 | 20.1 | 23.6 | -3896 | 38 | |
| | | | 23.8 | 24.9 | 19.1 | 22.6 | -3696 | 36 | |
| | | | 23.3 | 24.4 | 18.6 | 22.1 | -3596 | 35 | |
| | | | 22.8 | 23.9 | 18.1 | 21.6 | -3496 | 34 | |
| | | | 22.3 | 23.4 | 17.6 | 21.1 | -3396 | 33 | |
| | | | 21.8 | 22.9 | 17.1 | 20.6 | -3296 | 32 | |
| 20.8 | 21.9 | 16.1 | 19.6 | 54104-3096 | 30 | | | | |
| キャリアテープ幅 CARRIER TAPE WIDTH | | F | E | D | C | B | A | MATERIAL NO. | CIRCUIT |

| | | | | | | | | | | | | | |
|--|----------------------------------|----------------------------------|---|--|-------------------------------------|---|-------|----------------------------------|--|---|--|-----------|-----|
| EC NO. DRWN: CHK: APPR: | EC NO. DRWN: CHK: APPR: | EC NO. DRWN: CHK: APPR: | REVISED '04/04/21 EC NO. J2004-3918 DRWN: Y.WADA CHK: M.SASAO APPR: M.SASAO | RELEASED '04/01/22 EC NO. J2004-2032 DRWN: Y.SAKIYAMA CHK: M.SASAO APPR: M.SASAO | MATERIAL 材料 注記参照 SEE NOTES | GENERAL TOLERANCES: (UNLESS SPECIFIED) 一般公差 | SCALE | MODEL NO. 54104-***96 | DESIGN UNITS <input checked="" type="checkbox"/> mm <input type="checkbox"/> INCH | THIRD ANGLE PROJECTION | DIMENSIONS: <input type="checkbox"/> mm <input type="checkbox"/> INCH <input checked="" type="checkbox"/> mm ONLY | SHT | REV |
| | | | A | 0 | FINISH 仕上げ — | 10 UNDER 未満 ±0.2 | — | Y.SAKIYAMA '04/01/22 | <input checked="" type="checkbox"/> mm <input type="checkbox"/> INCH | <input type="checkbox"/> mm <input type="checkbox"/> INCH | | | |
| | | | | | WIRE RANGE 適用層被覆範囲 — | 10 OVER 30 UNDER 以上 未満 ±0.25 | — | M.SASAO '04/01/22 | | | TITLE: Embstp Pkg for 0.5 FPC Conn Zif Hsg Assy -LEAD FREE- | | |
| | | | | | INS. RANGE 被覆外径 — | 30 OVER 以上 ±0.3 | — | M.SASAO '04/01/22 | | | MOLEX MOLEX INCORPORATED | | |
| | | | | | ANGLE 角度 | ±3° | — | CAD FILENAME SD-54104-072.S01 | MATERIAL NO. SEE CHART | DRAWING NO. SD-54104-072 | SHEET NO. 1 OF 2 | | |
| THIS DRAWING CONTAINS INFORMATION THAT IS PROPRIETARY TO MOLEX INCORPORATED AND SHOULD NOT BE USED WITHOUT WRITTEN PERMISSION. | | | | | | | | | | | | SIZE B | |



DO NOT SCALE DRAWING

| | | | | | | | | | | | | | | |
|--|----------------------------------|----------------------------------|---|---|--|---|---|--|---|--------------------------------------|--|---------------------------|-----------------------------|---------------------|
| EC NO. DRWN: CHK: APPR: | EC NO. DRWN: CHK: APPR: | EC NO. DRWN: CHK: APPR: | REVISED '04/04/21 EC NO. J2004-3918 DRWN: Y.WADA CHK: M.SASAO APPR: M.SASAO | REVISED '04/01/22 EC NO. J2004-2032 DRWN: Y.SAKIYAMA CHK: M.SASAO APPR: M.SASAO | MATERIAL 材料 SHEET 1 OF 2 参照 REFER TO SHEET 1 OF 2 | GENERAL TOLERANCES: (UNLESS SPECIFIED) 一般公差 | SCALE --- | MODEL NO. DESIGN UNITS ☑ mm ☐ INCH | 54104-***96 THIRD ANGLE PROJECTION ☉ | DIMENSIONS: ☐ mm ☐ INCH ☒ mm ONLY | SHT REVISE ON CAD ONLY | REV | | |
| WIRE RANGE 適用線径範囲 | FINISH 仕上げ | INS. RANGE 被覆外径 | 10 UNDER 未満 ±0.2 | 10 OVER 30 UNDER 未満 ±0.25 | 30 OVER 以上 ±0.3 | ANGLE 角度 ±3° | DRAWN BY & DATE Y.SAKIYAMA '04/01/22 | CHECKED BY & DATE M.SASAO '04/01/22 | APPROVED BY & DATE M.SASAO '04/01/22 | CAD FILENAME SD-54104-072.S02 | TITLE: Embstp Pkg for 0.5 FPC Conn Zif Hsg Assy -LEAD FREE- | MATERIAL NO. SEE CHART | DRAWING NO. SD-54104-072 | SHEET NO. 2 OF 2 |
| MOLEX INCORPORATED | | | | | | | | | | | SIZE B | | | |
| THIS DRAWING CONTAINS INFORMATION THAT IS PROPRIETARY TO MOLEX INCORPORATED AND SHOULD NOT BE USED WITHOUT WRITTEN PERMISSION. | | | | | | | | | | | | | | |