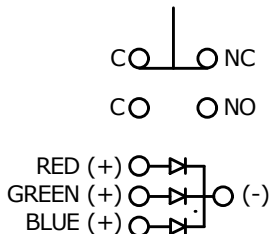
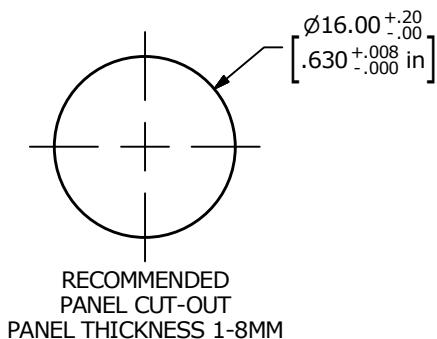


SWITCH FUNCTION	
POS. 1	POS. 2
ON	(ON)
C - NC	C - NO



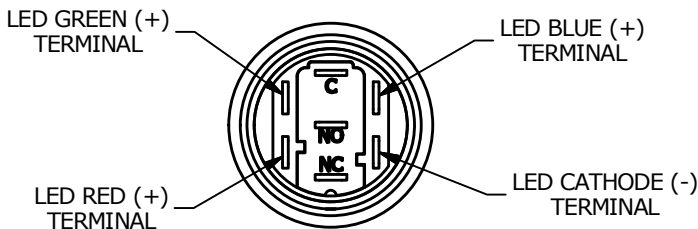
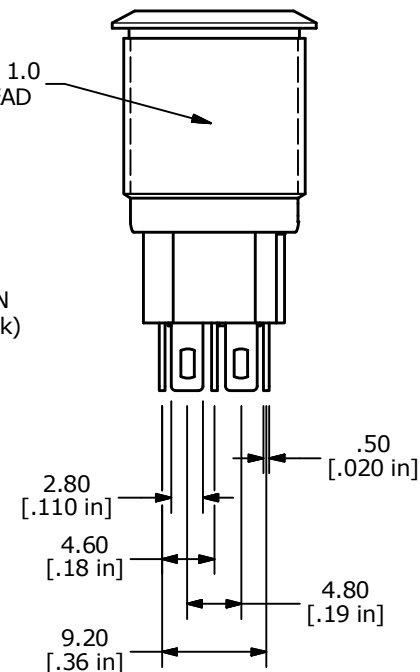
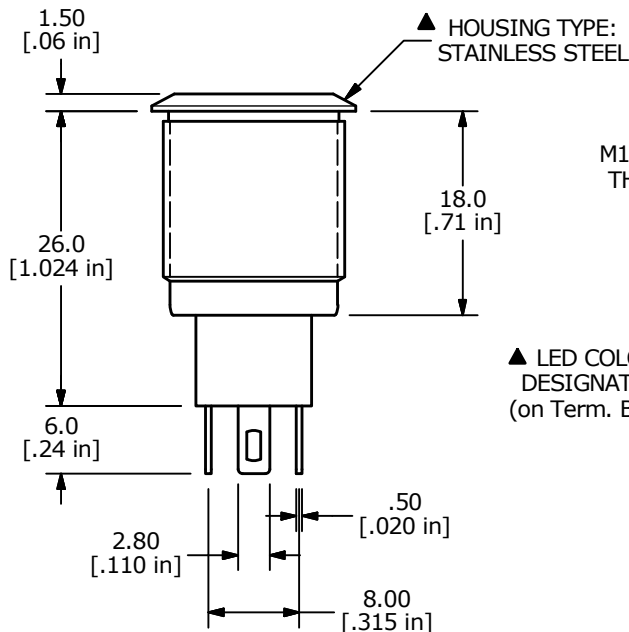
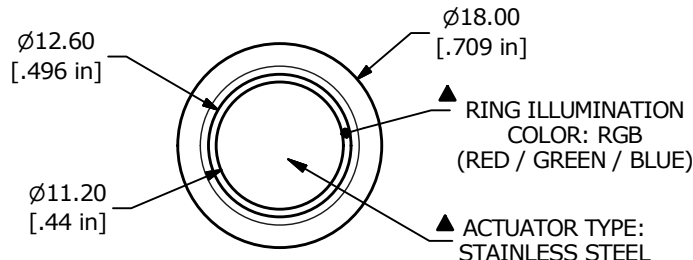
▲ SCHEMATIC

( ) DENOTES MOMENTARY FUNCTION



NOTE:

- ALL DIMENSIONS IN mm [INCH]
- GENERAL TOLERANCE: X.X = ±0.4  
X.XX = ±0.25
- TERMINAL NUMBERS FOR REF ONLY
- CONTACT MATERIAL: SILVER
- RATING: 2A 36VDC
- ELECTRIC LIFE: 50,000 MAKE-AND-BREAK CYCLES AT FULL LOAD.
- INSULATION RESISTANCE: 1,000 MΩ MIN.
- DIELECTRIC STRENGTH: 1,500 VAC MIN. FOR 1 MINUTE
- CONTACT RESISTANCE: 50mΩ MAX.
- OPERATING TEMP.: -25°C to 55°C
- TRAVEL: 3.0mm
- ▲ DENOTES CRITICAL PARAMETER
- ACTUATION FORCE: 1.7N NOMINAL
- INGRESS PROTECTION: IP65
- HARDWARE SUPPLIED: O-RING AND HEXNUT
- LAMP VOLTAGE: BASE VOLTAGE  
1.8V RED; 2.8V GREEN; 2.8V BLUE



REV	PCR NO	DESCRIPTION	DATE	BY
B	23342	change location of color/voltage callout	5/2/18	MW
A	23163	New Release	1/12/18	rc

TITLE PVA3F2B0SS3R1				
SCALE 1.5:1	DATE 1/12/2018	DR rc	DWG 52-PVA3F2B0SS3R1	REV B

THE INFORMATION CONTAINED IN THIS DOCUMENT IS PROPRIETARY TO E-SWITCH AND IS NOT TO BE COPIED OR TRANSFERRED