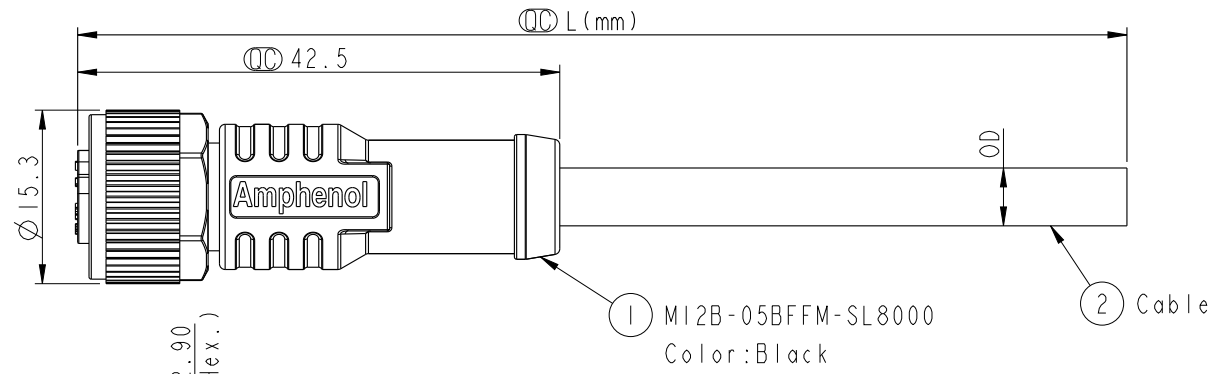


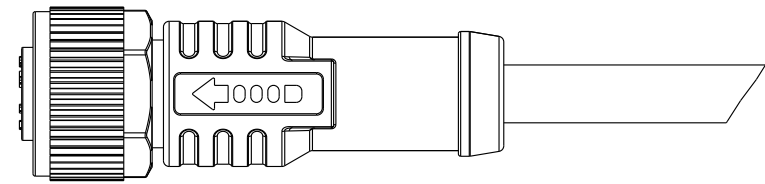
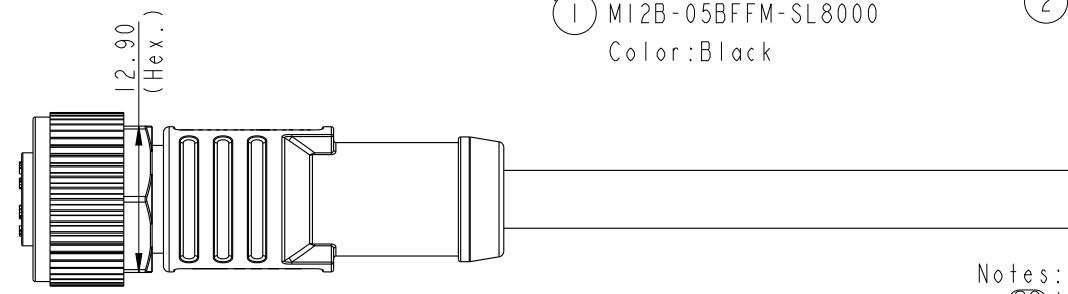
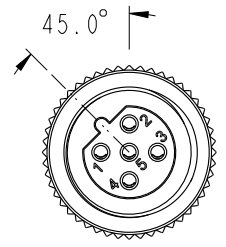
THIS DOCUMENT IS SUBJECT TO CHANGE WITHOUT NOTICE. IT IS CONFIDENTIAL AND A PROPERTY OF Amphenol LTW. DISCLOSURE TO THIRD PARTY HAS TO BE AUTHORIZED BY Amphenol LTW.

REV.	ECN NO.	DATE	SIGN	DESCRIPTION
A	Initial Release	2015-07-25	Li Feng	Change Rev.01 To Rev.A
B	LEN1750118	2017-04-06	Lingpeng	Change The Cable OD

ALTW
CONFIDENTIAL
 2017-04-06
R&D DEPT.



ALTW
 DCC. DEPT.
 CONFIDENTIAL
 2017.05.15
ISSUED



- Notes:
- * \varnothing Important Dimension.
 - * Waterproof Rate: IP68.
 - * Connector: PU+GF,Black.
 - * Female Pin: Copper Alloy, Gold Plated.
 - * Screw Nut: Zinc Alloy, Nickel Plated.
 - * Outer Mold: PU,Black.
 - * Cable: (A) UL2517,PVC Jacket,Yellow.
 (B) UL20549,PUR Jacket,Black.
 (D) UL2517,PVC Jacket,Black.
 - * Rated Voltage: 60V dc. or ac.
 - * Rated Current: 4A
 - * Operating Temperature: -25~85°C
 - * Cable Length Tolerance: 01M:±40mm
 02M~05M:±60mm
 06M~10M:±100mm
 11M~30M:±200mm
 31M~99M:±500mm

UNIT:mm
 TOLERANCE
 ±0.5mm

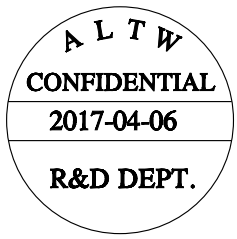
TITLE M12 B Type Cable Female Conn.			
SCALE 3:2	SIZE A4	SHEET 1 OF 2	
REV. B	WC-REV. A.2	②: Inspection item	

Amphenol LTW
 安費諾亮泰企業股份有限公司

ITEM NO	DRAWN BY Lingpeng	DATE 2017-04-06
DWG NO M12B-05BFFM-SL8XXX	CHECKED BY Ma Fei	DATE 2017-04-06
CUSTOMER ALTW	APPROVED BY Jerry	DATE 2017-04-06

THIS DOCUMENT IS SUBJECT TO CHANGE WITHOUT NOTICE. IT IS CONFIDENTIAL AND A PROPERTY OF Amphenol LTW. DISCLOSURE TO THIRD PARTY HAS TO BE AUTHORIZED BY Amphenol LTW.

6		7		8	
5P	PVC	5.1	22	MI2B-05BFFM-SL8DXX	
5P	PUR	4.4	22	MI2B-05BFFM-SL8BXX	
5P	PVC	5.1	22	MI2B-05BFFM-SL8AXX	
Contacts	Cable Jacket	Cable OD	AWG	Item No.	



M I2B - 05 B F F M - S L 8 X XX

XX: 01~99Meters
 01: 01Meter
 02: 02Meters
 :
 99: 99Meters

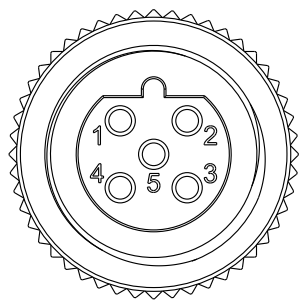
A: PVC UL2517 Cable, Yellow (PVC 黃色外被線材)
 B: PUR UL20549 Cable, Black (PUR 黑色外被線材)
 D: PVC UL2517 Cable, Black (PVC 黑色外被線材)

8: IP68 (防水等級68)

L: Straight (180° 線端)

S: Screw (螺紋式)

I2B: B-Code
 05: 5Pin
 B: Cable Without S/R (線端無網尾)
 F: Female Connector (母座)
 F: Female Pin (母Pin)
 M: Molding Type (射出成型)



Pin Assignments
Front View

5	Gray	灰
4	Black	黑
3	Blue	藍
2	White	白
1	Brown	棕
Conn.	Wire Color	
	Pin Out	

UNIT:mm TOLERANCE ±0.5mm	TITLE MI2 B Type Cable Female Conn.			<h1>Amphenol LTW</h1> <p>安費諾亮泰企業股份有限公司</p>	ITEM NO	DRAWN BY Lingpeng	DATE 2017-04-06
	SCALE 3:2	SIZE A4	SHEET 2 OF 2		DWG NO MI2B-05BFFM-SL8XXX	CHECKED BY Ma Fei	DATE 2017-04-06
	REV. B	WC-REV. A.2	QC: Inspection item		CUSTOMER ALTW	APPROVED BY Jerry	DATE 2017-04-06