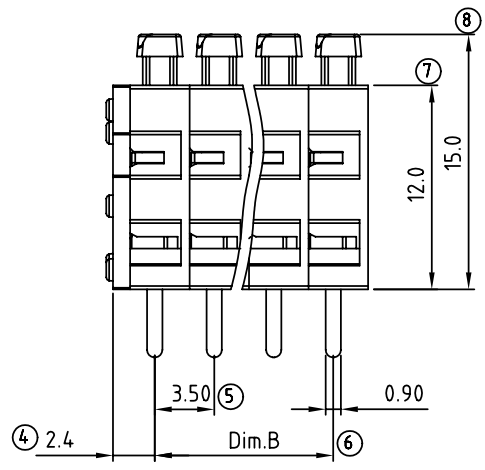
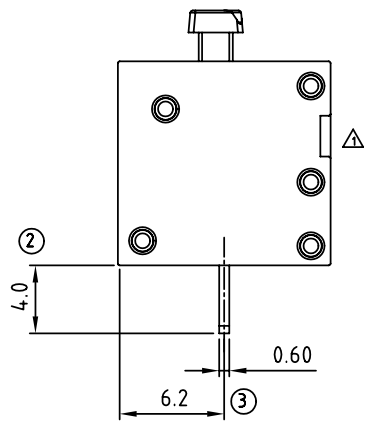
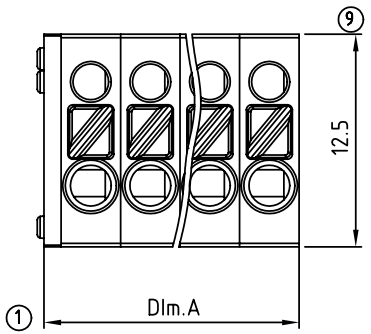
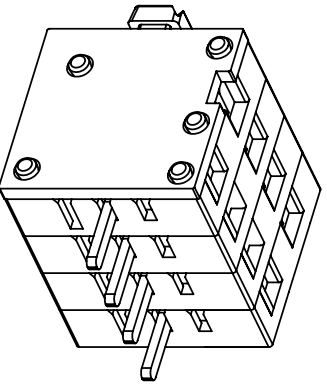
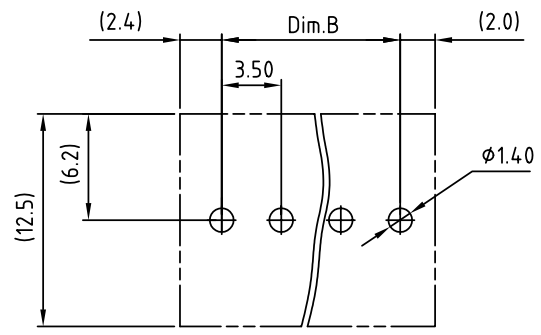


SIGN	DATE	DESCRIPTION	APPROVER
△	04/07'10	臺灣加膠	Runner
△			
THIS IS CAD DRAWING, DO NOT REVISE MANUALLY!!!			



N=Number of conacts



P.C.B LAYOUT

N=Number of poles  
 Dim.A=N×3.5+1  
 Dim.B=(N-1)×3.5

Poles	2P~6P	7P~12P	13P~18P	19P~24P
Dim.A	±0.20	±0.25	±0.30	±0.40
Dim.B	±0.15	±0.20	±0.25	±0.30

Material

- Terminal body (Contact pin): Brass
- Wire guard: Stainless steel
- Surface of solder tail: Tin plated
- Insulator (housing): Thermoplastic (UL94V-0)

Electrical

- Voltage rating: AC 300V
- Current rating: 10A
- Wire range:
  - Solid wire(AWG): 16-26
  - Stranded wire(AWG): 16-26
- Wire strip length: 7-8mm
- Withstanding Voltage: 1.6KV
- Operating temperature: -40°C to +115°C
- Soldering temperature: 250°C±10°C/5 Sec
- Safety Approval:

HX xx 21 x 1 xxxx G

- |             |                    |                 |
|-------------|--------------------|-----------------|
| 01 1 Poles  | 0 Black            | G: Pb<40,000ppm |
| 02 2 Poles  | 2 Red              |                 |
| ... ..      | 5 Green(RAL6018/T) |                 |
| 24 24 Poles | 8 Grey(RAL7004/P)  |                 |
|             | 9 White            |                 |
|             | C Multiple colors  |                 |

**ANYTEK**

**CUSTOMER COPY**

ALL RIGHTS RESERVED. REPRODUCTION OR ISSUE TO THIRD PARTIES IN ANY FORM WHATSOEVER IS NOT PERMITTED WITHOUT WRITTEN AUTHORITY FROM THE PROPRIETOR. PROPERTY OF ANYTEK TECHNOLOGY CO., LTD

TITLE		HX 3.5 Series 90° single contact (Wire inlet)				
PART NO.		HXxx21x1xxxxG		DWG NO.		8HX0202
APPROVED	CHECKED	DESIGNED	DRAWN	CUST NO.		Tolerance
		Runner	Kind			X. ±0.50
		2010.04.07	2009.05.27			UNIT: mm
				SHEET: 01/01		X.XX ±0.10
				REV.: C		X° ±1°