

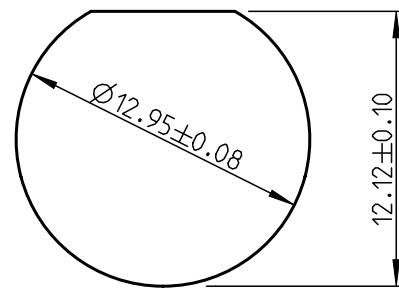
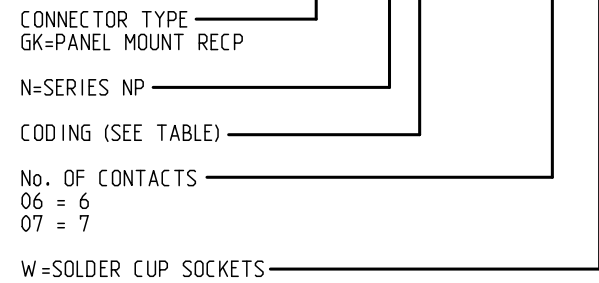
All Rights reserved, including possible patents or trademarks. Documents shall not be provided to a third party or duplicated in any form without prior written permission from ODU-USA.

The iteration describes editorial changes only, which are not specification changes. An iteration change is not required to be released/sampled.

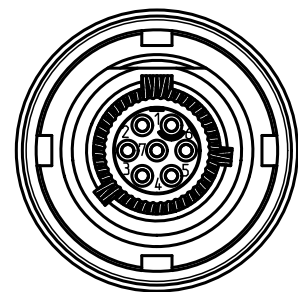
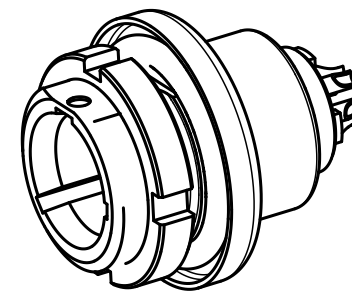
CAD: Creo Parametric

PART NUMBER CONFIGURATION

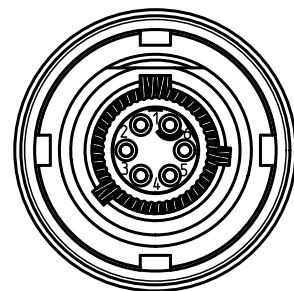
EXAMPLE: G K 6 N O P - P 0 6 W 2 3 0 - 0000



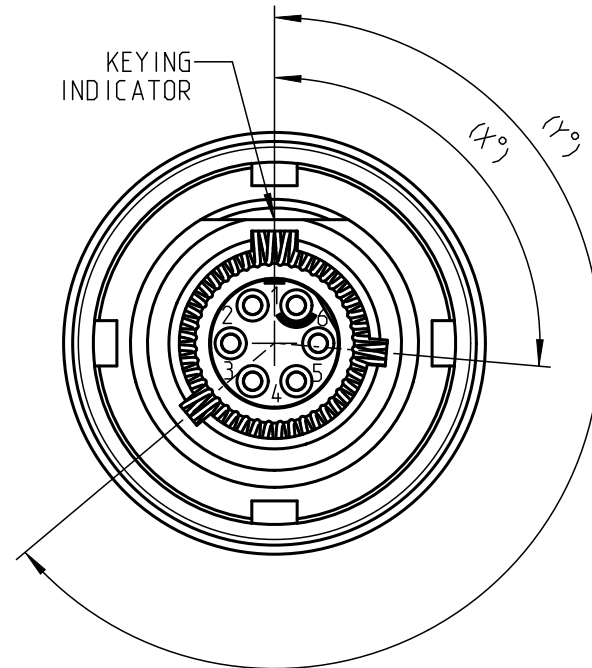
PANEL CUTOUT



7 POSITION

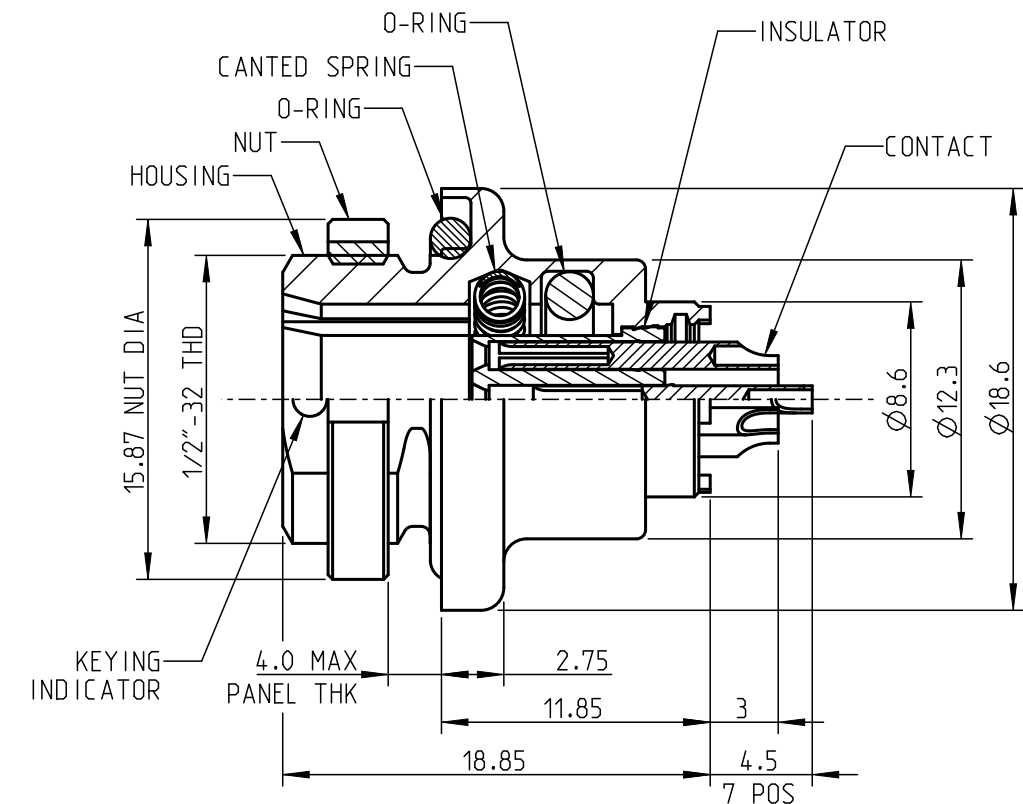


6 POSITION



KEY CODING DETAIL
(Viewed from Front)

KEY CODING-X°,Y°	
0	95°, 230°
A	150°, 210°
B	75°, 210°
D	140°, 275°
E	75°, 275°
F	95°, 210°
G	165°, 195°
H	140°, 220°
J	115°, 245°
K	105°, 205°
L	155°, 255°



4. ODU PART NUMBER TO BE PERMANENTLY MARKED ON HOUSING.

3. ELECTRICAL INFORMATION:
 - CONTACT CURRENT RATING: 5A-7.5A
 - TEST VOLTAGE: 750VAC
 - NOMINAL VOLTAGE: 50VDC
 - SHELL TO SHELL RESISTANCE IN MATED CONDITION NOT TO EXCEED 50mΩ
 - OPERATING TEMPERATURE: -18°C to 71°C

2. CONTACTS - SIZE 23 (ϕ0.70) SOCKETS, SOLDER CUP, 22AWG MAX

1. MATERIALS / FINISH:
 HOUSING - ALUM ALLOY / BLACK CARBON OVER ELECTROLESS NICKEL
 INSULATOR - PEEK
 O-RING SEALS - FLOUROSILICONE
 SPRING - STAINLESS STEEL / GOLD PLATE
 CONTACTS - COPPER ALLOY / GOLD PLATE, 1.27um Thk
 POTTING - EPOXY

NOTES: UNLESS OTHERWISE SPECIFIED

 General tol.: DIN ISO 2768-mH Tolerancing: DIN ISO 8015		 A PERFECT ALLIANCE.	Description: RECP, PANEL MOUNT, SOLDER		Material: seeBOM
			ODU AMC NP		Scale: 3:1
State: Released		EC-No.:	Drawing-Id.: Z10289756		Size: B
Prepared	04.06.2022 pbair	Revision:	Material-Id.:		Dim.: mm
Changed	26.08.2022 pbair	ODU-Id.:		GK6N_P-P__W 230-0000	
Released	29.08.2022 RMota	Origin:		Sheet: 1	
Date	Name				