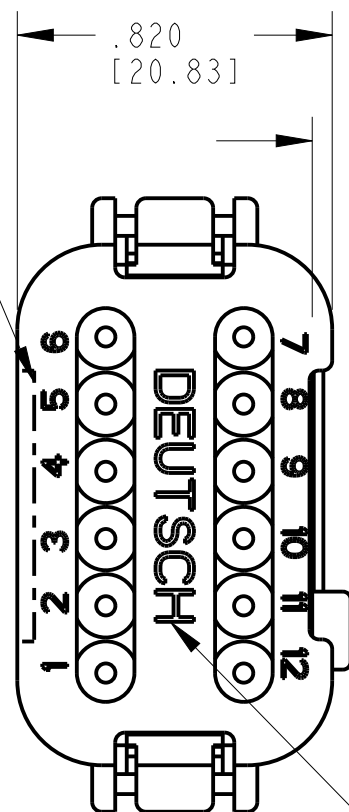
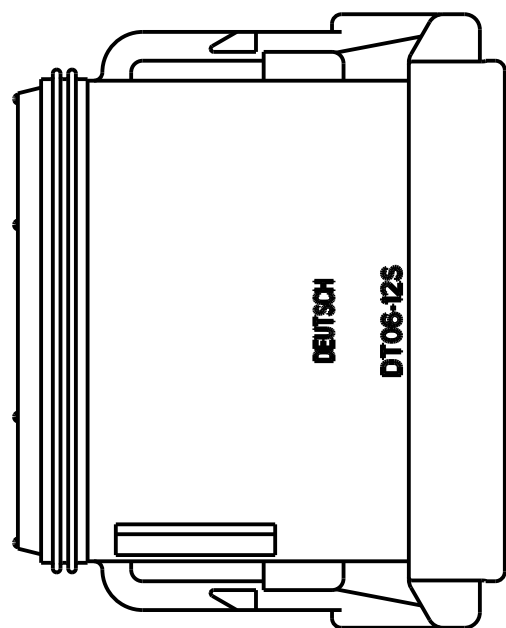


**DATE CODE LEGEND**

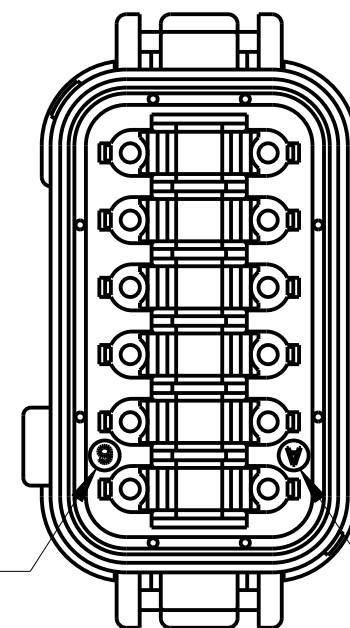
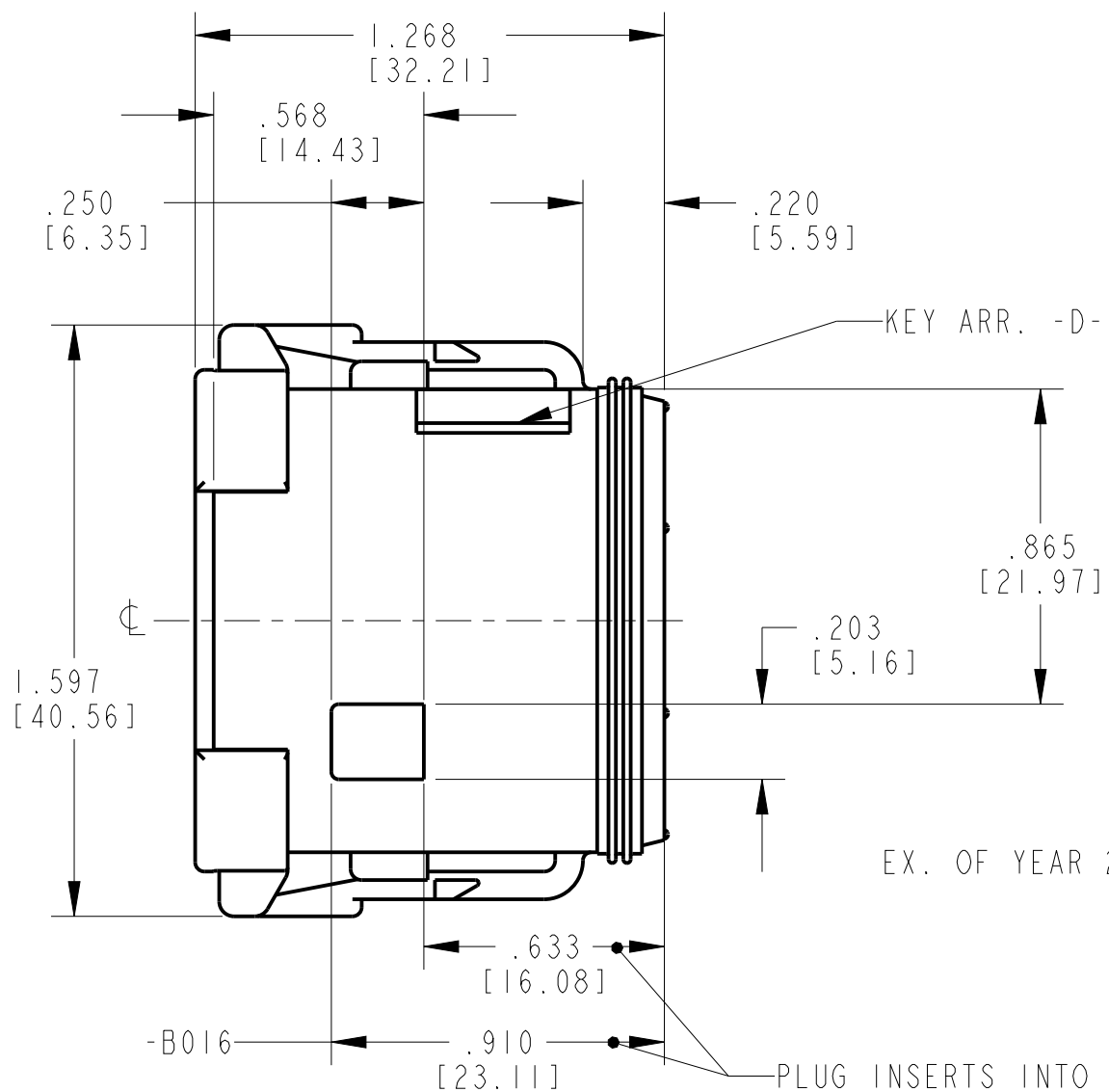
YEAR IS REPRESENTED BY LAST NUMERICAL DIGIT.  
MONTH IS REPRESENTED BY SEQUENTIAL ALPHA CHARACTERS.

REVISIONS					
P	LTR	DESCRIPTION	DATE	DWN	APVD
A		REVISED PER E.O. P15115	15AUG1996	-	RDR
B		REVISED PER E.O. P15409	16SEP1997	-	RDR
C		REVISED PER E.O. P15827	31DEC1998	-	RDR
CI		REVISED PER PCN E-21-003625	08APR2021	MK	IG

ALTERNATE CAP CUTOUT POSITION



TEXT ORIENTATION OPTIONAL



EX. OF YEAR 2006

EX. OF MONTH JANUARY

PLUG INSERTS INTO RCPTS. WITHIN THESE DISTANCES.

4 MATERIAL: SHELL: HOUSING: PA66 GF15; COLOR BROWN  
GROMMET: VMQ (RED-ORANGE)  
FRONT SEAL: VMQ (RED-ORANGE)

3. W12-P012 WEDGE LOCK SOLD SEPARATELY.

2. THIS PLUG MATES WITH DT04-12PD-\*\*\*\* RECEPTACLE. (\*\*\*\* = ALL MODIFICATIONS)  
CONSULT FACTORY FOR ALL MODIFICATIONS.

1. FOR CONTACT AND WIRE PERFORMANCE AND APPLICATION CHARACTERISTICS, SEE ENVELOPE DRAWINGS 0425-015-0000.

CONTACT SIZE	MIN. INSUL. O.D.	MAX. INSUL. O.D.	WIRE RANGE
16	.088 [2.23]	.145 [3.68]	14-18 AWG [2.0-0.75 mm <sup>2</sup> ]

THIS DRAWING IS A CONTROLLED DOCUMENT.		DWN S. THEIS 27AUG1997		
DIMENSIONS: IN [mm]		CHK S. BEARD 18DEC1998		
TOLERANCES UNLESS OTHERWISE SPECIFIED:		APVD R. REED 31DEC1998	NAME 12 WAY PLUG -EP06 MOD	
0 PLC ±-		PRODUCT SPEC 108-151009	KEY ARR. -D-	
1 PLC ±-		APPLICATION SPEC 114-151009	DT SERIES	
2 PLC ±-		WEIGHT 16 GR	SIZE A3	CAGE CODE 00779
3 PLC ±.025[0.63]		CUSTOMER DRAWING	DRAWING NO. C=DT06-12SD-EP06	RESTRICTED TO
4 PLC ±-			SCALE 5:1	SHEET 1 OF 1
ANGLES ±-				REV CI
FINISH				