

THIS DRAWING IS UNPUBLISHED.
DIFFUSION RESTREINTE AMP

RELEASED FOR PUBLICATION
LIBRE A LA DIFFUSION

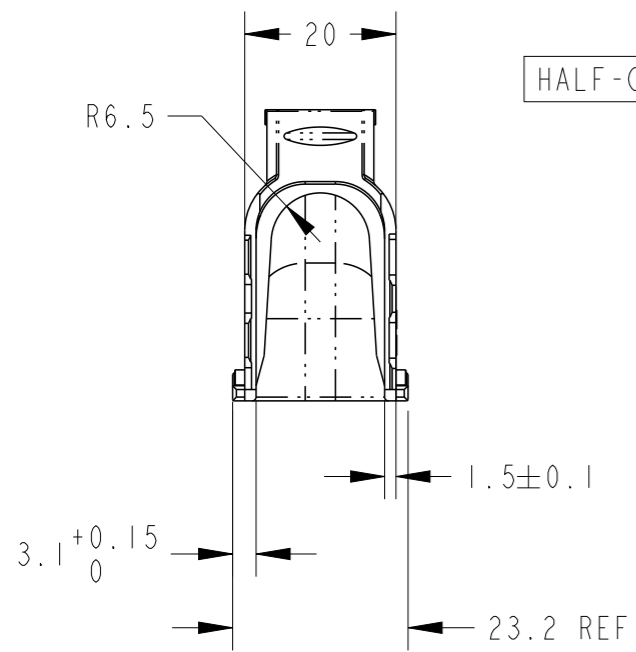
20

© COPYRIGHT 1997 BY -

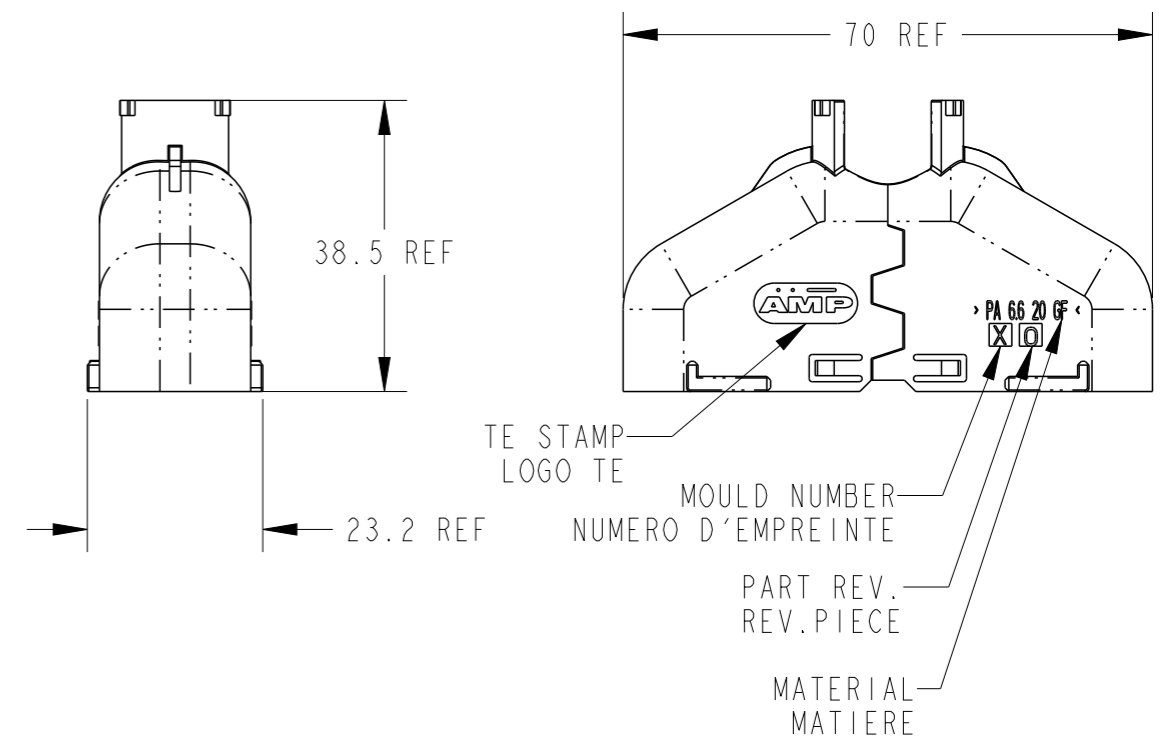
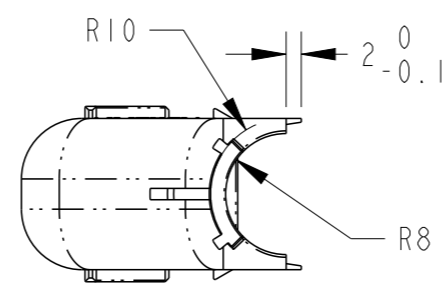
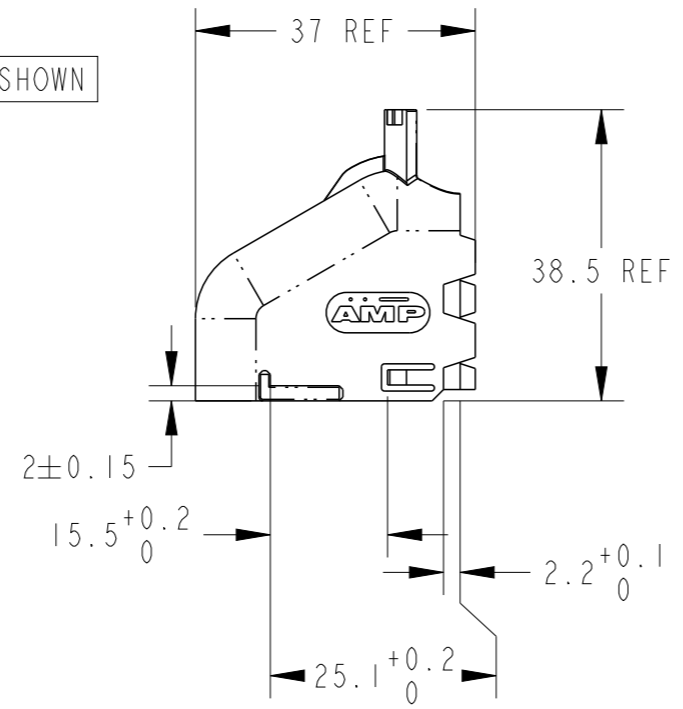
ALL RIGHTS RESERVED.
TOUS DROITS RESERVES

REVISIONS

P	LTR REV	DESCRIPTION MODIFICATIONS	DATE	DWN DESS.	APVD APP.
	A	PA 66 20% FV WAS PA 66 25% FV	21SEPI998	RB	-
	B	TOLERANCE ON DIM 1.5	15JUN2000	DB	JJR
	C	REMOVE DIM TO AVOID REDUNDANCY DIMENSION	29MAR2010	DB	JJR
	D	CLARIFICATION OF NET WEIGHT	24FEB2016	DB	XR



HALF-COVER AS SHOWN



1 A UNIT = 953040-2 = 1 HALF-COVER.
A PAIR = 953040-1 = 2 HALF-COVERS.

* : NET WEIGHT FOR 1 PN 953040-1

UNE UNITE CORRESPOND A : voir ci-contre
UNE PAIRE DE DEMI-CAPOT : voir ci-contre

COMPONENT	QTY	2	BLACK	PA66 20% GF	VERTICAL COVER
			COLOR	MATERIAL	DESIGNATION
953040-X		MAX ADMISSIBLE STRAND			
		Ø 16 mm			
-3	-2	-1			

QTE COMPOSANT	2	NOIR	PA66 20% FV	CAPOT VERTICAL
		COULEUR	MATIERE	DESIGNATION
953040-X		TORON MAXI ADMISSIBLE		
		Ø 16 mm		
-3	-2	-1		

THIS DRAWING IS A CONTROLLED DOCUMENT.
CE PLAN EST UN DOCUMENT CONTROLE PAR AMP INCORPORATED.
IL EST SUSCEPTIBLE D'ETRE REVISE. CONTACTER LE SERVICE
TECHNIQUE D'AMP DE FRANCE POUR OBTENIR LA DERNIERE REVISION.

DIMENSIONS: mm

TOLERANCES UNLESS OTHERWISE SPECIFIED:
TOLERANCES NON SPECIFIEES (SUIV NB DE DECIMALES):

±0.2
±0.2
±0.2
±0.2
±0.2

ANGLES: ±5°

FINISH FINITION: SEE TABLE

MATERIAL MATIERE: SEE TABLE

DWN/DESSINE: 03JUL1997
D.COQUELET

CHK/VERIFIE: 05JUN2000
JP.PICAUD

APVD/APPROUVE: 05JUN2000
JJ.REV11

PRODUCT SPEC SPEC, PRODUIT: 108-15172

APPLICATION SPEC SPEC, APPLICATION: 411-15599

WEIGHT MASSE APPROX.: 9.8g *

STE TE Connectivity

NAME TITRE: VERTICAL COVER, 31 WAYS HYBRID TIMER CONNECTEUR

SIZE FORMAT: A3

CAGE CODE: 00779

DRAWING NO No PLAN: C=953040

RESTRICTED TO RESERVE A: -

CUSTOMER DRAWING /PLAN CLIENT

UNIQUEMENT POUR REFERENCE

SCALE ECHELLE: 1:1

SHEET FEUILLE: 1 OF DE 1

REV D