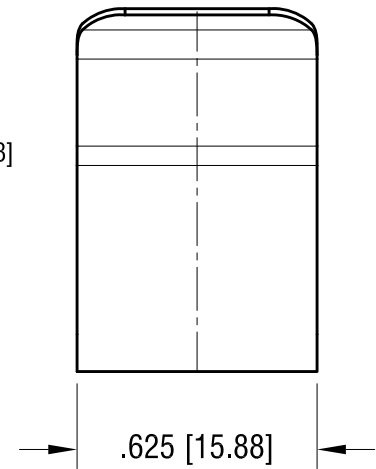
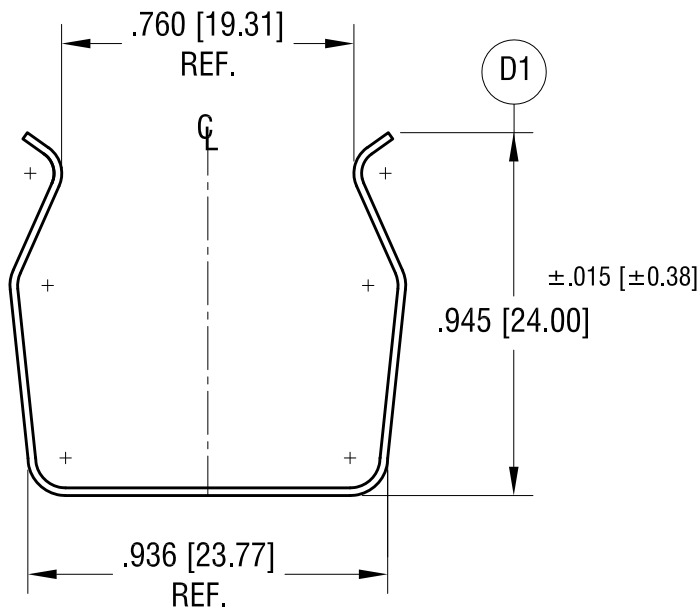
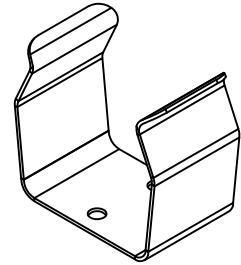
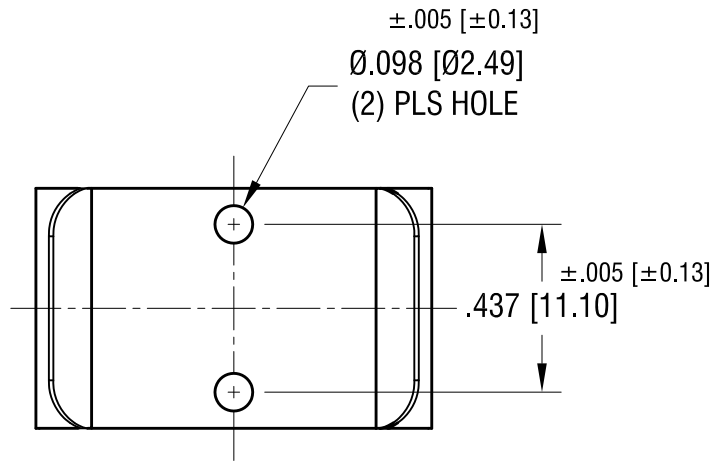


THIS DOCUMENT IS THE PROPERTY OF
KEYSTONE ELECTRONICS CORP. AND
SHALL NOT BE REPRODUCED, DISTRIBUTED
OR USED AS A BASIS FOR MANUFACTURE
WITHOUT PRIOR WRITTEN PERMISSION
FROM KEYSTONE ELECTRONICS CORP.

ACTUAL SIZE



| | | |
|----------|--------------------------------|------|
| 12.02.20 | ECN 20-094, (D1) WAS .937±.015 | D |
| 2.22.02 | CHANGED AS PER ECN 02-017 | C |
| 10.16.98 | CHANGE AS PER ECR 98-073 | B |
| 10.3.97 | ECR 97-048 MAT'L WAS .025 | A |
| DATE | DESCRIPTION | REV. |

| | | | |
|--|---------------|---------------|---------|
| KEYSTONE ELECTRONICS CORP. | | | |
| www.keyelco.com • NEW HYDE PARK, NY 11040 • Tel (516) 328-7500 | | | |
| PART NAME | | 'C' CELL CLIP | |
| MATERIAL | | | |
| .020 TH'K 2024-T3 ALUMINUM | | | |
| FINISH | | DRN BY | DATE |
| NONE | | BOONE | 11.2.81 |
| | | APP'D | SCALE |
| | | LN | 2X |
| TOLERANCES | INCH [MM] | CODE | DWG NO. |
| DECIMAL | ±.010 [±0.25] | C | 93 |
| ANGULAR | ± 1° | | |
| UNLESS OTHERWISE SPECIFIED | | | |