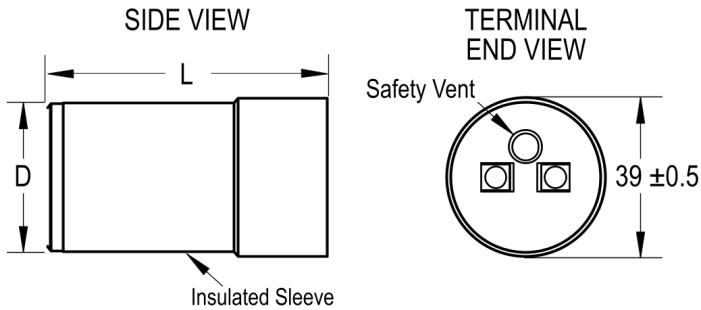


480MS12ABMK1STD

Aliases (A902GJ480K120A)

MS/A902, Aluminum Electrolytic, 480 uF, 10%, 120 VAC, -20/+60°C



Click [here](#) for the 3D model.

Dimensions

D	38mm +/-0.5mm
L	90mm MAX

Packaging Specifications

Packaging	Bulk, Bag
-----------	-----------

General Information

Series	MS/A902
Dielectric	Aluminum Electrolytic
Description	Motor Start Aluminum Electrolytic
RoHS	Yes
Lead	Quick Connect
AEC-Q200	No
Halogen Free	Yes
Shelf Life	156 Weeks

Specifications

Capacitance	480 uF
Capacitance Tolerance	10%
Voltage AC	120 VAC
Temperature Range	-20/+60°C
Rated Temperature	60°C
Life	500 Hrs