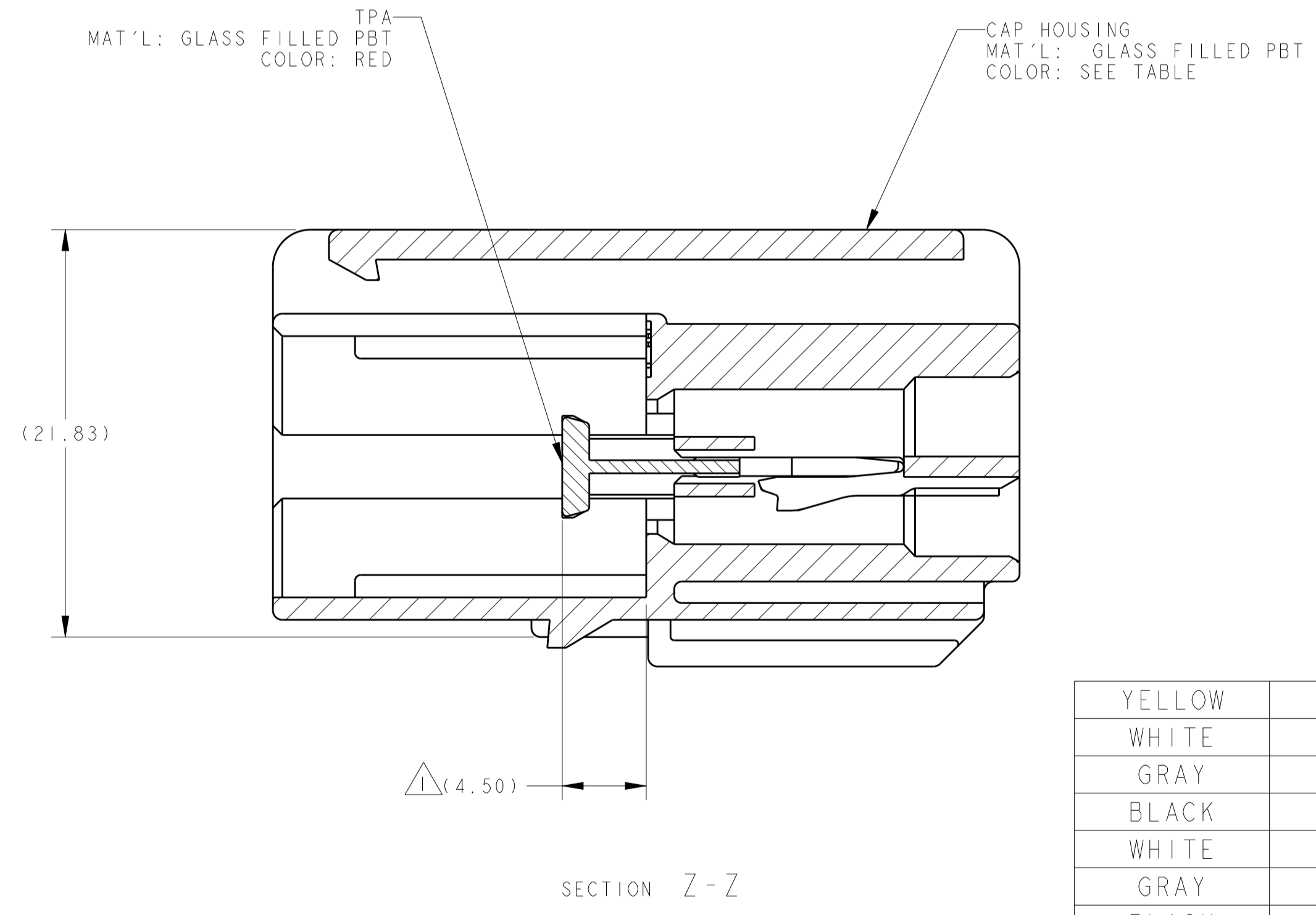
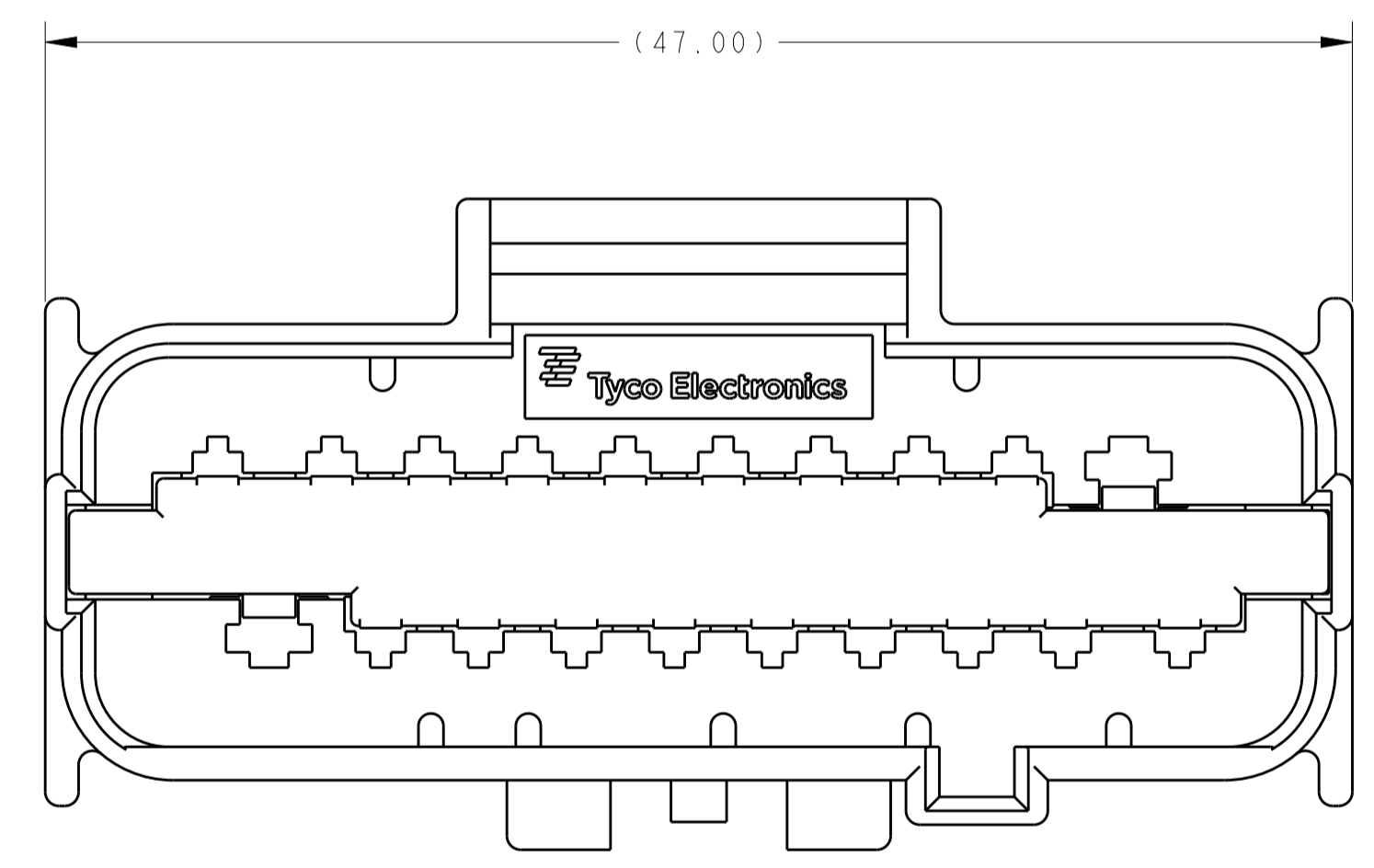
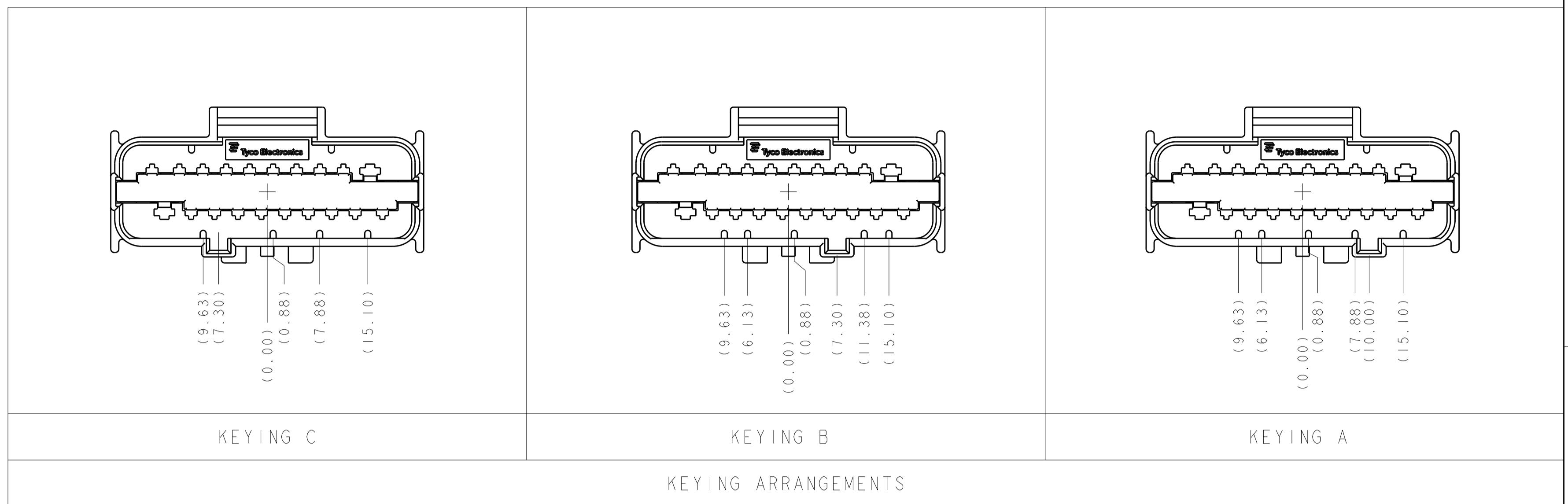
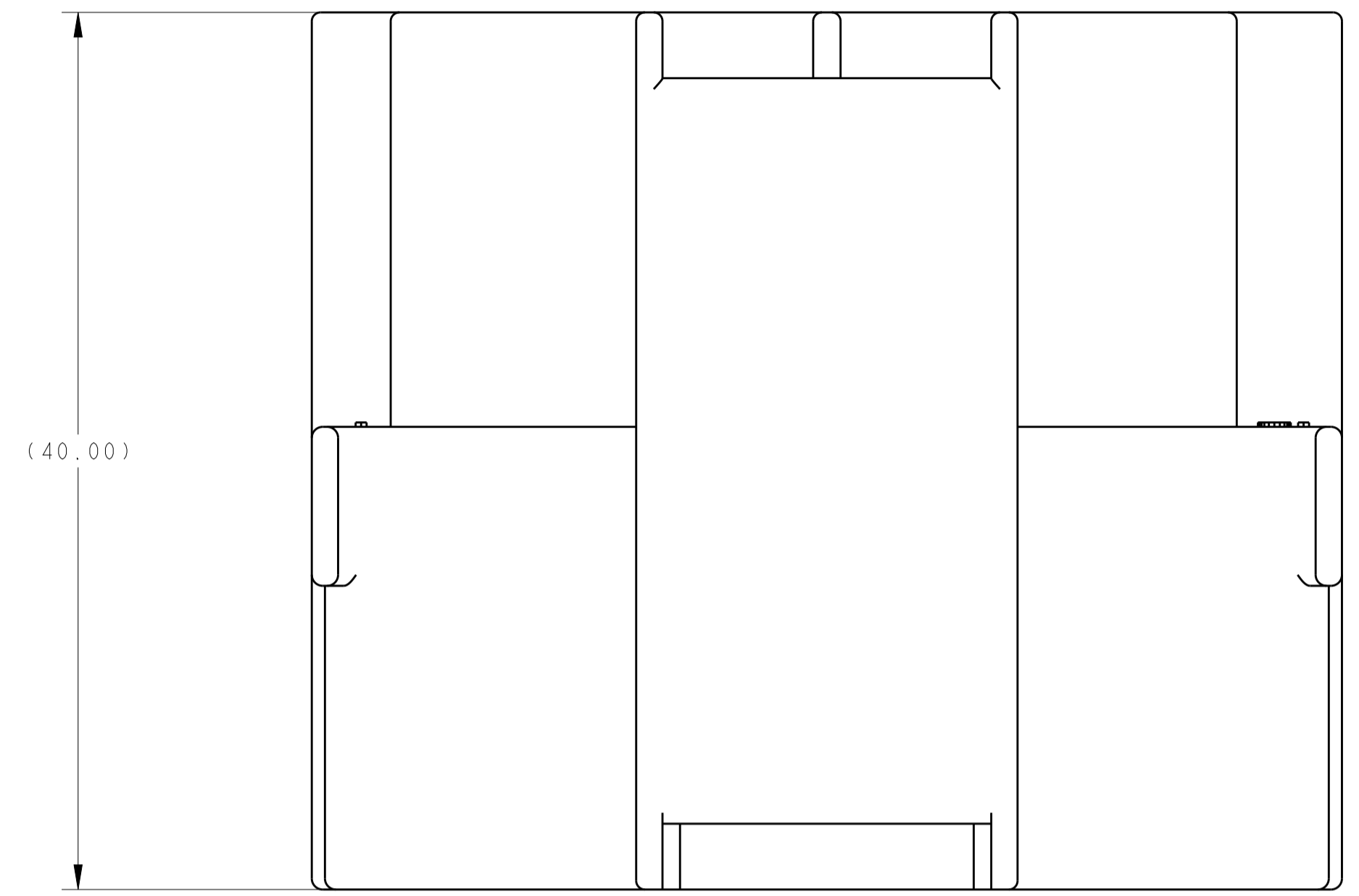


REVISIONS				
P.	LTN	DESCRIPTION	DATE	DWN APVD
1		FIRST DRAFT	27AUG2009	MBH BB
2		REVISED	15FEB2010	JRS BSB
A		ECR-10-025922	22DEC2010	HM BB
A1		ECR-14-007751	30MAY2014	VP ML



- △ TPA SHIPPED IN STAGED POSITION
- 2. THIS CAP CONNECTOR MATES WITH CAP CONNECTOR, TYCO ELECTRONICS DRAWING NUMBER 2098377 AND IS INTENDED FOR CLASS 2 (105°C MAX) APPLICATIONS
- 3. SEE INSTRUCTION SHEET 408-10433.

HOUSING COLOR	MOUNTING CLIP COMPATIBILITY	KEYING	PART NUMBER
YELLOW	STANDARD	A	1-2098380-0
WHITE	EPC	C	2098380-9
GRAY	EPC	B	2098380-8
BLACK	EPC	A	2098380-7
WHITE	NONE	C	2098380-6
GRAY	NONE	B	2098380-5
BLACK	NONE	A	2098380-4
WHITE	STANDARD	C	2098380-3
GRAY	STANDARD	B	2098380-2
BLACK	STANDARD	A	2098380-1

THIS DRAWING IS A CONTROLLED DOCUMENT.

DIMENSIONS: mm

TOLERANCES UNLESS OTHERWISE SPECIFIED:

0 PLC	±0.0
1 PLC	±0.3
2 PLC	±0.1
3 PLC	±0.0
4 PLC	±0.0
ANGLES	±0.0
FINISH	▲3

MATERIAL: SEE CALLOUT

APPROVED: M. HITCHCOCK, B. BUCHTER, B. BUCHTER

DATE: 27AUG2009

NAME: CAP ASSEMBLY, 20 POSN UNSEALED HYBRID CONNECTOR

SIZE: A1, CAGE CODE: 00779, DRAWING NO: 2098380

RESTRICTED TO: -

CUSTOMER DRAWING

SCALE: 4:1, SHEET 1 OF 1, REV A1