

4

3

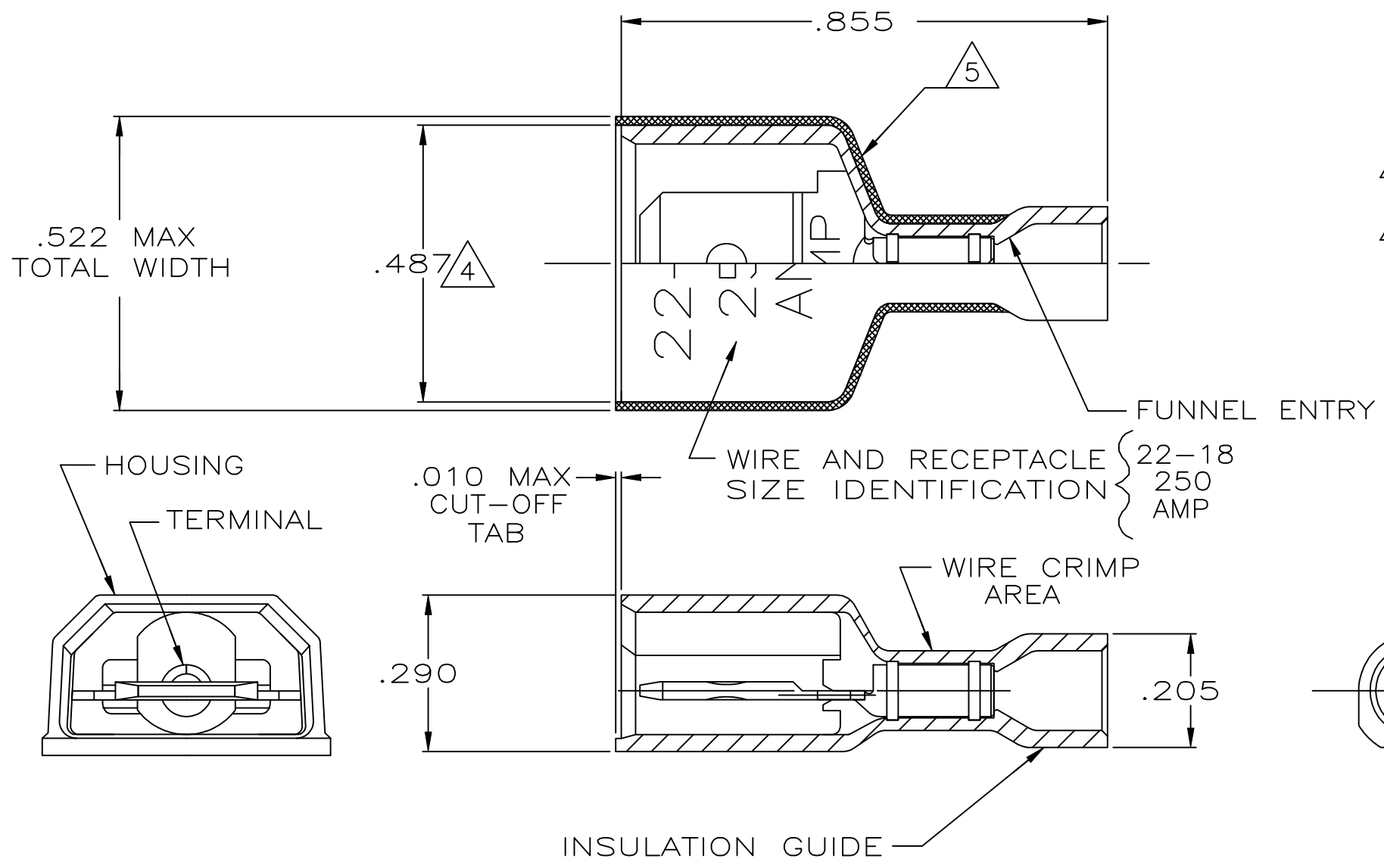
2

1

THIS DRAWING IS UNPUBLISHED. RELEASED FOR PUBLICATION  
 © COPYRIGHT - By - ALL RIGHTS RESERVED.

| REVISIONS |     |                           |           |       |
|-----------|-----|---------------------------|-----------|-------|
| P         | LTR | DESCRIPTION               | DATE      | APVD  |
| N         |     | REVISED PER ECR-18-000096 | 09JAN2018 | BW SD |

- 1 TAB DIMENSIONS  $.032 \pm .001 \times .250$
- 2 WIRE STRIP LENGTH  $.281$
- 3 INSULATION SIZE  $.135$  MAX DIA
- 4 DIMENSION DOES NOT INCLUDE TRIM BURR
- 5  $.015$  MAX CARRIER TRIM BURR PER SIDE IS ALLOWED IN THE SHADED AREA.



|   |            |
|---|------------|
| HOUSING: NYLON, COLOR-RED TRANSLUCENT<br>RECEPTACLE: BRASS, TIN | 2-520103-2 |
| MATERIAL & FINISH   | PART NO    |

|  |  |                                 |   |
|--|--|---------------------------------|---|
| THIS DRAWING IS A CONTROLLED DOCUMENT. |  | DWN<br>P FORTNEY<br>11/16/88    | TE Connectivity Ltd.  |
| DIMENSIONS:<br>INCHES                  |  | CHK<br>MS FEHER<br>11/30/88     |   |
|  |  | APVD<br>KA RANDOLPH<br>12/14/88 |   |
| TOLERANCES UNLESS OTHERWISE SPECIFIED: |  | NAME<br>108-2017                |   |
| MATERIAL<br>SEE TABLE                  |  | FINISH<br>SEE TABLE             | PRODUCT SPEC<br>114-2123<br>APPLICATION SPEC<br>WEIGHT 0.000000<br>CUSTOMER DRAWING             |
|  |  | SIZE<br>A3                      | CAGE CODE 00779<br>DRAWING NO C-520103<br>RESTRICTED TO -<br>SCALE 4:1<br>SHEET 1 of 1<br>REV N |