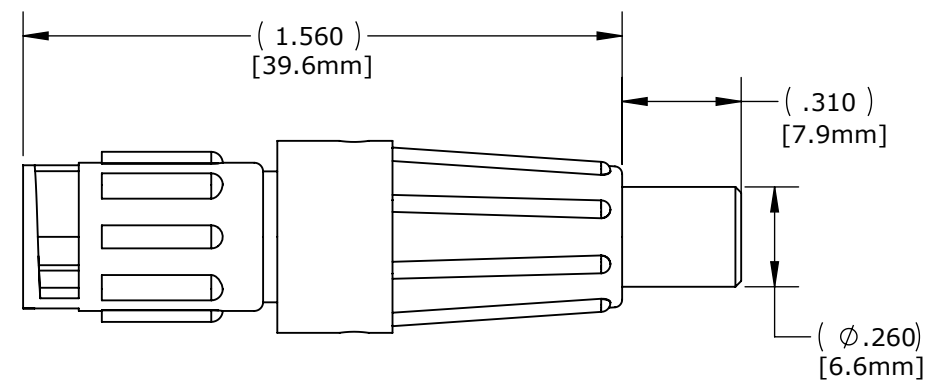
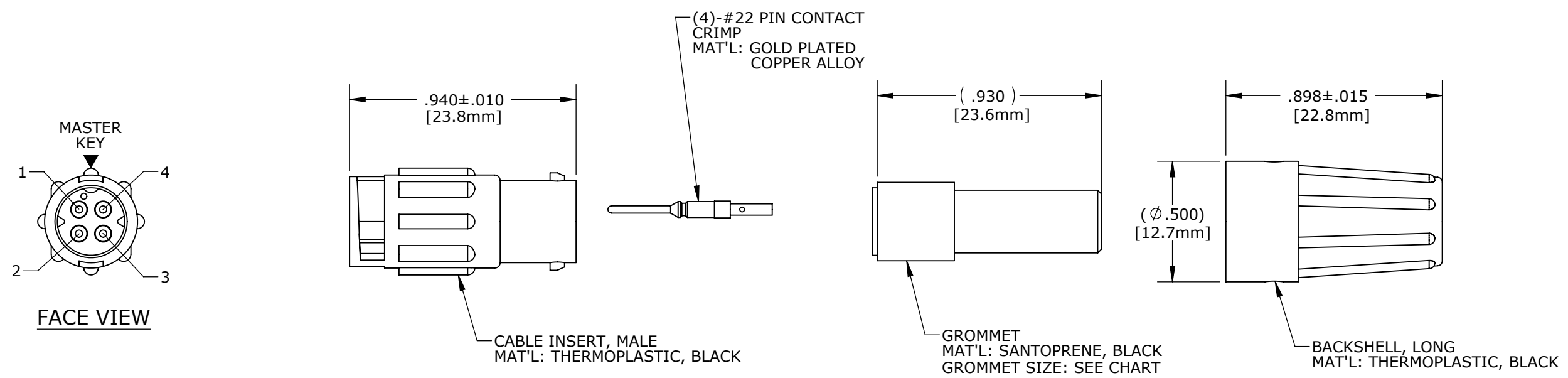


- NOTES:
 1. PARTS ARE TO BE BULK PACKED.
 2. PARENTHESIS () INDICATE REFERENCE DIMENSION.
 3. BRACKETS [] INDICATE METRIC DIMENSIONS.

ASS'Y P/N	CABLE O.D.
18880-4PG-518	0.175 - 0.185 [4.4-4.7]
18880-4PG-521	0.205 - 0.215 [5.2-5.5]
18880-4PG-522	0.215 - 0.225 [5.5-5.7]

GROMMET SIZE



ASSEMBLED KIT VIEW
FOR CUSTOMER REFERENCE ONLY

CUSTOMER APPROVAL

THIS DOCUMENT CONTAINS CONFIDENTIAL INFORMATION PROPRIETARY TO CONXALL CORPORATION. ANY REPRODUCTION, DISCLOSURE, OR USE OF THIS DOCUMENT /INFORMATION IS EXPRESSLY PROHIBITED UNLESS AUTHORIZED IN WRITING BY CONXALL CORPORATION.

APPROVED BY: _____
 DATE: _____

RoHS COMPLIANT

REV.	INIT.	DATE	DESCRIPTION
B	AN	01-10-14	DRAWING P/N WAS 18880-4PG-XXX, REMOVED SHORT BACKSHELL ASSEMBLIES, ADDED TOLERANCE AND MATERIALS. PER ECR 8074
		07/21/10	CHANGED CONTACT CRIMP BARREL FROM 20AWG TO 22AWG
		03/31/10	CHANGED CONTACT FROM 853-PG TO 853-1PG
A	PAK	03/25/10	DRAWING CREATED PER DOR 06-E168CS

ALL INFORMATION ILLUSTRATED IS THE PROPERTY OF CONXALL CORPORATION. UNAUTHORIZED DUPLICATION OR DISTRIBUTION OF THIS DOCUMENT IS PROHIBITED.	ORIG. DRAWN BY: PAK DATE: 03/24/10 CHECKED BY:	601 E. WILDWOOD VILLA PARK, IL 60181
ALL UNITS ARE IN FEET, INCHES, FRACTION OF INCHES AND DECIMALS.	APPROVED BY:	
FILE: 18880-4PG-5XX	SCALE: NTS	TITLE: IN-LINE CONNECTOR KIT (4) #22 PIN CONTACT, CRIMP MICRO-CON-X STANDARD PRODUCT
DIRECTORY: SLW	SIZE: B	CUSTOMER: STANDARD PRODUCT
	SHEET: 1 OF 1	PART NUMBER: 18880-4PG-5XX
		REV B