

Housing - HC-STA-D07-SHCWS-1SGM20-PL-BK - 1419268


Please be informed that the data shown in this PDF Document is generated from our Online Catalog. Please find the complete data in the user's documentation. Our General Terms of Use for Downloads are valid (<http://phoenixcontact.com/download>)



Box mounting bases D7, with single locking latch, material: PA, cable outlets: 1, lateral, height: 28 mm, cable gland: with, support sleeve: no, 1x M20, Standard, enclosed bottom



Key Commercial Data

Packing unit	1 pc
GTIN	 4 055626 160191
GTIN	4055626160191

Technical data

Dimensions

Height	28 mm
Width	38 mm
Length	24.2 mm
External cable diameter	4 mm ... 10 mm

Ambient conditions

Degree of protection (IP)	IP66
Ambient temperature (operation)	-40 °C ... 125 °C

General

Note	for contact inserts HC-A03, A04, D07, D08, Q02, Q03, Q04, Q05, Q07, Q12
Size	D7
Housing type	Box mounting bases
Color	black
Locking type	with single locking latch
No. of cable outlets	1
Cable outlet	lateral
Screw connection	with

Housing - HC-STA-D07-SHCWS-1SGM20-PL-BK - 1419268

Technical data

General

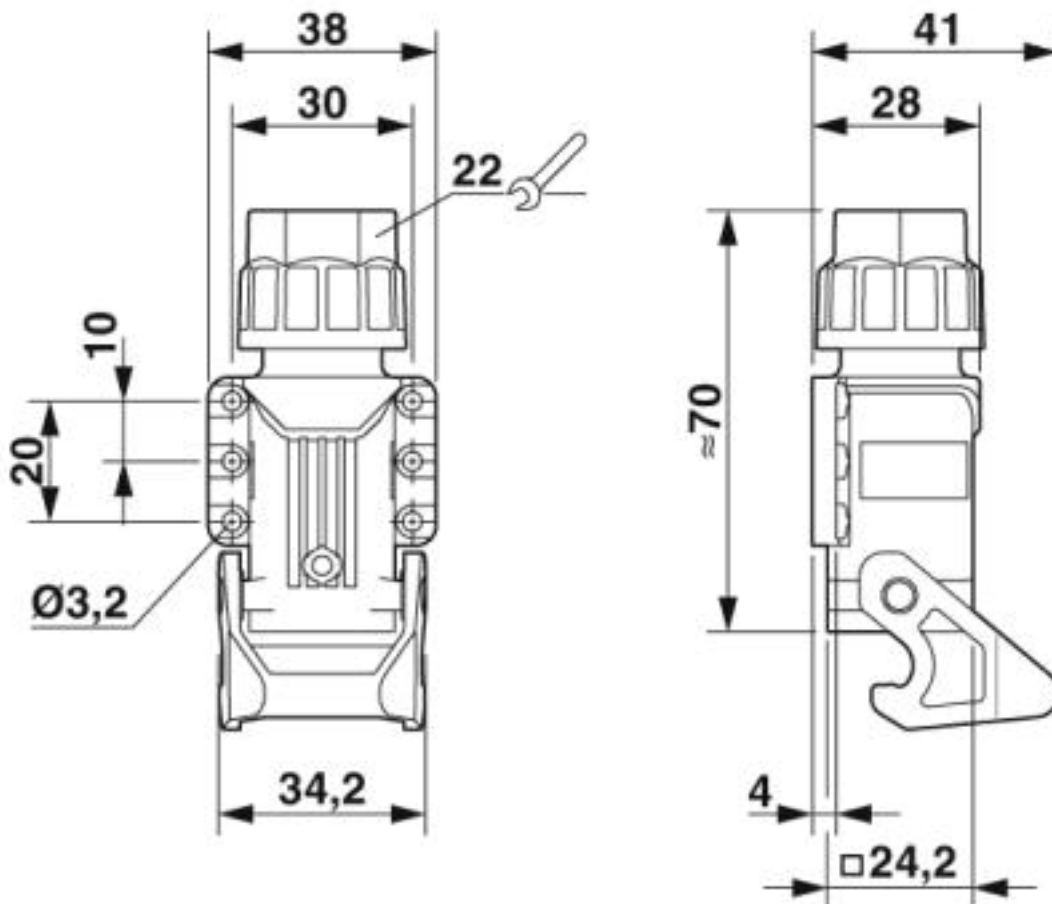
Type of the screw connection	1x M20
Housing material	PA
Seal material	NBR
Material lock	PA
Flammability rating according to UL 94	V0 (Polyamide housing)

Environmental Product Compliance

China RoHS	Environmentally Friendly Use Period = 50
	For details about hazardous substances go to tab "Downloads", Category "Manufacturer's declaration"

Drawings

Dimensional drawing



Dimensional drawing

Housing - HC-STA-D07-SHCWS-1SGM20-PL-BK - 1419268

Approvals

Approvals

Approvals

EAC / DNV GL

Ex Approvals

Approval details

EAC			RU C- DE.AI30.B.01102
-----	---	--	--------------------------

DNV GL		https://approvalfinder.dnvgl.com/	TAE000037S
--------	--	---	------------

Phoenix Contact 2019 © - all rights reserved
<http://www.phoenixcontact.com>

PHOENIX CONTACT GmbH & Co. KG
Flachsmarktstr. 8
32825 Blomberg
Germany
Tel. +49 5235 300
Fax +49 5235 3 41200
<http://www.phoenixcontact.com>