

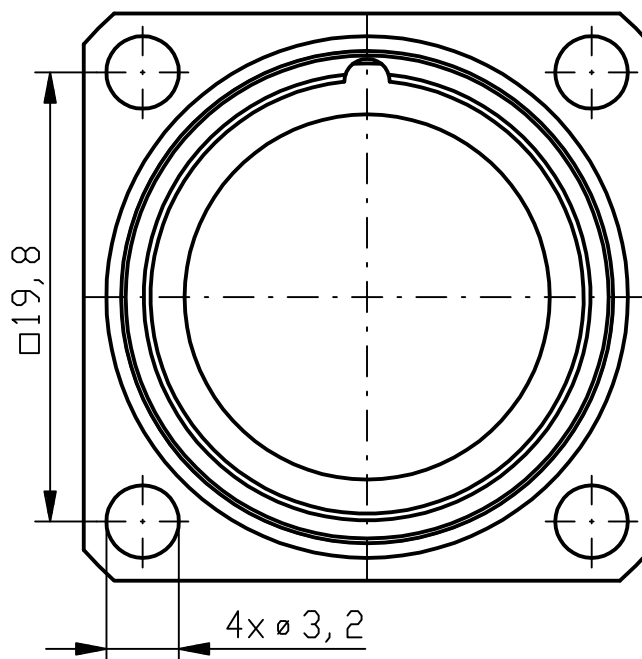
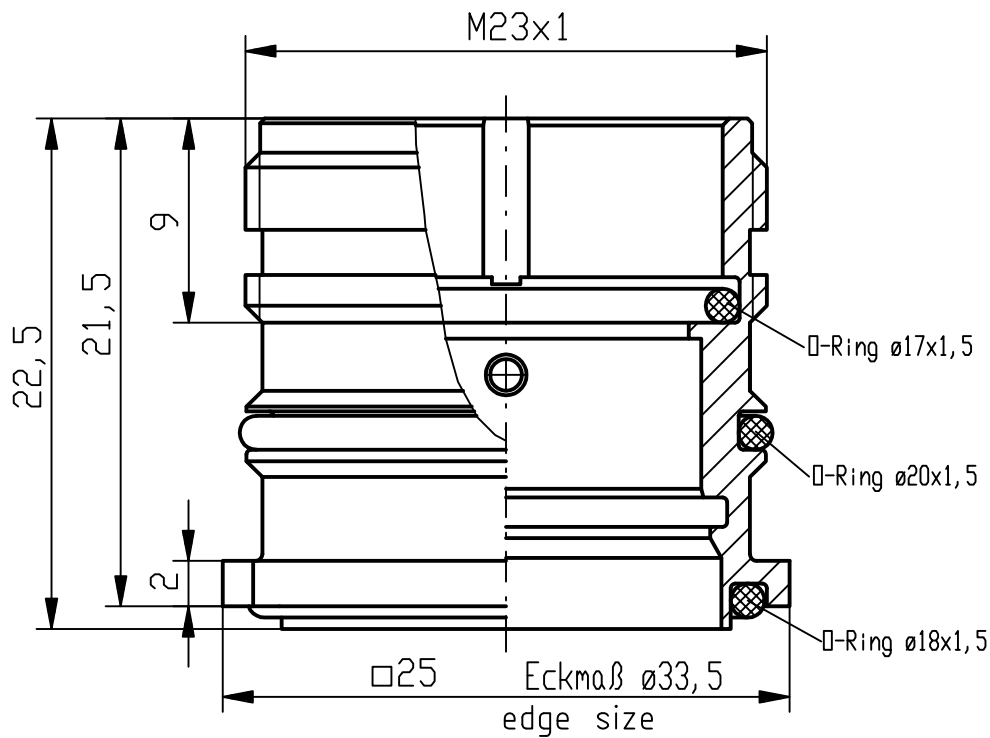
5

4

3

2

1

Notes:

Packaging units: 5 pcs

Tolerances (unless specified): DIN ISO 2768 m

Bemerkungen:

Verpackungseinheit: 5 Stück

Toleranzen (sofern nichts anderes angegeben ist):
DIN ISO 2768 m

DESCRIPTION EC NO.: WEU2008-0019 DRWN: BBRAUCH 2008/05/16 CHKD: LS 2008/05/20 APPR: REISSNER 2008/05/27	QUALITY SYMBOLS	GENERAL TOLERANCES (UNLESS SPECIFIED)		DIMENSION STYLE MM		SCALE 3:1	DESIGN UNITS METRIC	FIRST ANGLE PROJECTION
	▽ = 0	4 PLACES	±----	±----	DRAWN BY BB	DATE 2008/05/16	M23 REC MALE FM Z FLANGE SHELL P/N: KRS0G26-0031	
	◻ = 0	3 PLACES	±----	±----	CHECKED BY	DATE		
		2 PLACES	±----	±----	APPROVED BY	DATE	MOLEX INCORPORATED	
		1 PLACE	±----	±----	RE	2008/05/20		
		ANGULAR ± --- °		MATERIAL NO. 1202320010	DOCUMENT NO. SD-120232-010	SHEET NO. 1 OF 1		
01	REV	DRAFT WHERE APPLICABLE MUST REMAIN WITHIN DIMENSIONS		SIZE A4		THIS DRAWING CONTAINS INFORMATION THAT IS PROPRIETARY TO MOLEX INCORPORATED AND SHOULD NOT BE USED WITHOUT WRITTEN PERMISSION		

5

4

3

2

1