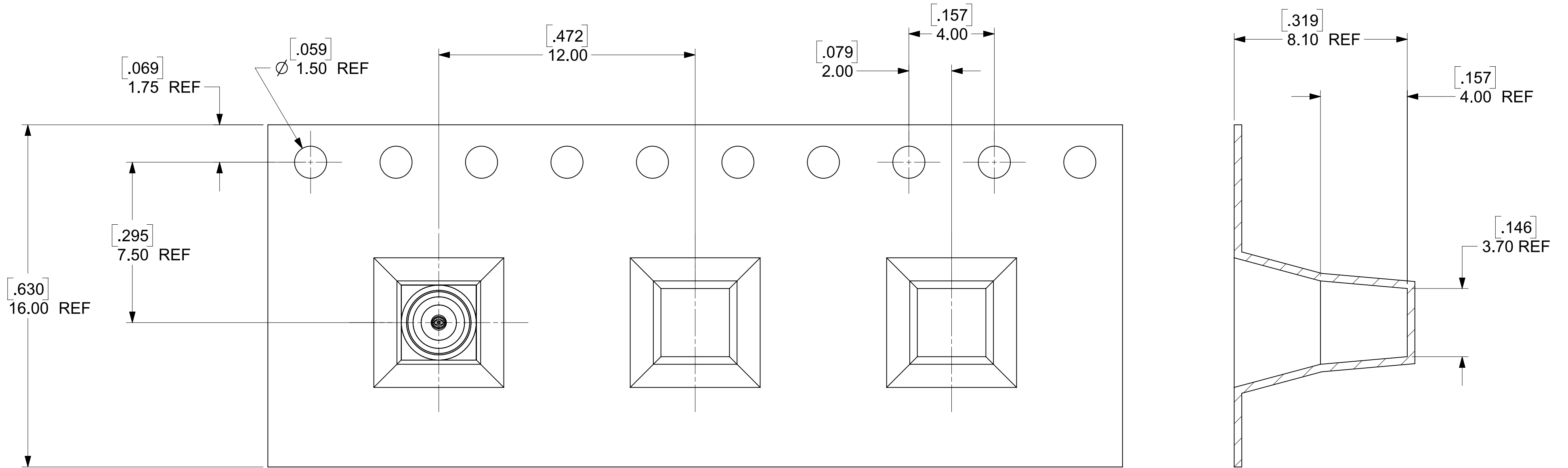
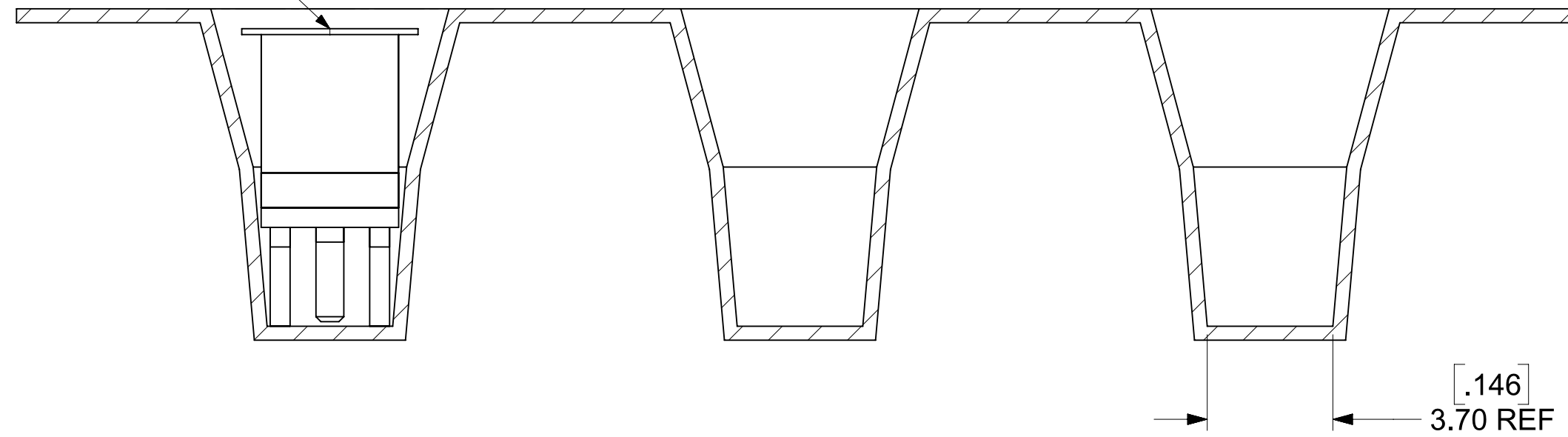


NOTE
DIMENSIONS ARE PROVIDED FOR REFERENCE ONLY



KAPTON



(FOR 73415-1475)

SYMBOLS		THIS DRAWING CONTAINS INFORMATION THAT IS PROPRIETARY TO MOLEX ELECTRONIC TECHNOLOGIES, LLC AND SHOULD NOT BE USED WITHOUT WRITTEN PERMISSION													
DIMENSION UNITS	SCALE	CURRENT REV DESC:								DOCUMENT NUMBER		DOC TYPE	DOC PART	REVISION	
$\nabla = 0$	MM/INCH	EWR-14517-B ADDED 73414-0990 PART NO								SD-73415-147		PSD	001	C5	
$\nabla / = 0$	GENERAL TOLERANCES (UNLESS SPECIFIED)		EC NO: 675460 DRWN: JSU18 2021/08/19 CHK'D: YCHENG 2021/08/31 APPR: YCHENG 2021/08/31								PRODUCT CUSTOMER DRAWING				
$\nabla \setminus = 0$	ANGULAR TOL $\pm 2.0^\circ$		INITIAL REVISION:								MATERIAL NUMBER		CUSTOMER		SHEET NUMBER
$\nabla \setminus / = 0$	4 PLACES \pm		DRWN: RFC_PLMIMP 2017/12/28								73415		GENERAL MARKET		2 OF 3
$\nabla \setminus \setminus = 0$	3 PLACES \pm		APPR: JWIENER 2007/01/09												
$\nabla \setminus \setminus / = 0$	2 PLACES \pm		THIRD ANGLE PROJECTION												
$\nabla \setminus \setminus \setminus = 0$	1 PLACE \pm		DRAWING												
$\nabla \setminus \setminus \setminus / = 0$	0 PLACES \pm		SERIES												
$\nabla \setminus \setminus \setminus \setminus = 0$	DRAFT WHERE APPLICABLE MUST REMAIN WITHIN DIMENSIONS		C-SIZE												

13" REEL SIZE

$12.993 \pm .020$
 $\varnothing 330.02 \pm 0.51$

$.647$
 16.43 MIN

$.502$
 $\varnothing 12.75$ REF

250 MM EMPTY MIN


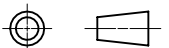
250 MM EMPTY MIN

ORDER QUANTITY PACKED

230.00 MIN

LABEL

- ORDER NO.
- QUANTITY
- PART NO.
- LOT NO.

SYMBOLS	THIS DRAWING CONTAINS INFORMATION THAT IS PROPRIETARY TO MOLEX ELECTRONIC TECHNOLOGIES, LLC AND SHOULD NOT BE USED WITHOUT WRITTEN PERMISSION										
	DIMENSION UNITS	SCALE	CURRENT REV DESC:								
$\nabla = 0$	MM/INCH	NTS	EWR-14517-B ADDED 73414-0990 PART NO								
$\nabla = 0$	GENERAL TOLERANCES (UNLESS SPECIFIED)		EC NO: 675460							PRODUCT CUSTOMER DRAWING	
$\nabla = 0$	ANGULAR TOL $\pm 2.0^\circ$		DRWN: JSU18 2021/08/19								
$\nabla = 0$	4 PLACES \pm		CHK'D: YCHENG 2021/08/31							DOC TYPE PSD	
$\nabla = 0$	3 PLACES \pm		APPR: YCHENG 2021/08/31								
$\nabla = 0$	2 PLACES \pm		INITIAL REVISION:							REVISION C5	
$\nabla = 0$	1 PLACE \pm		DRWN: RFC_PLMIMP 2017/12/28								
$\nabla = 0$	0 PLACES \pm		APPR: JWIENER 2007/01/09							SHEET NUMBER 3 OF 3	
$\nabla = 0$	DRAFT WHERE APPLICABLE MUST REMAIN WITHIN DIMENSIONS		THIRD ANGLE PROJECTION	DRAWING	SERIES	MATERIAL NUMBER					
$\nabla = 0$				C-SIZE	73415						