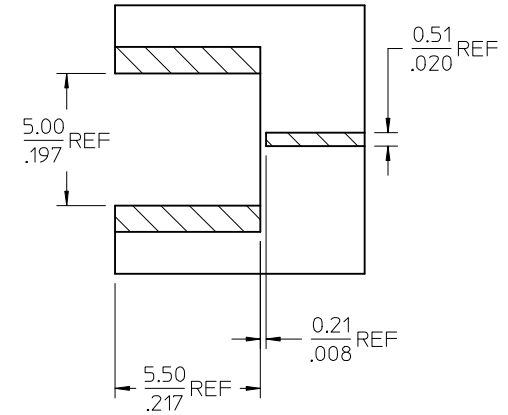
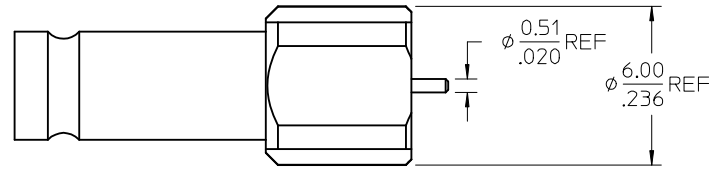
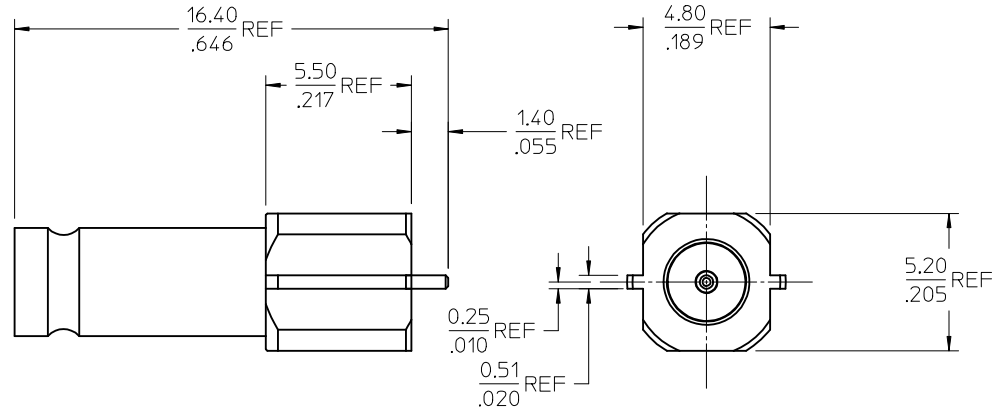
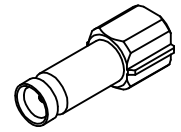


MATERIALS AND FINISHES

BODY: BRASS  
PLATED SEE TABLE

CENTER CONTACT: BERYLLIUM COPPER  
PLATED SEE TABLE

INSULATOR: TEFLON (UL94 V-0)

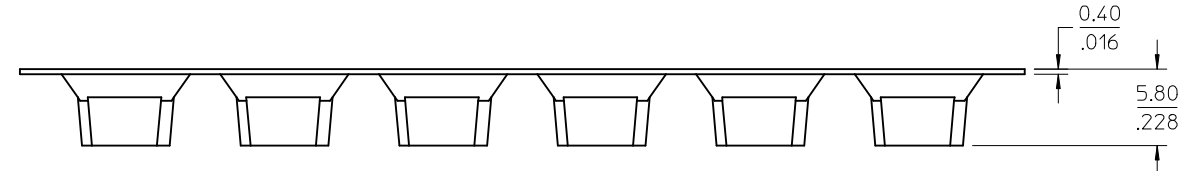
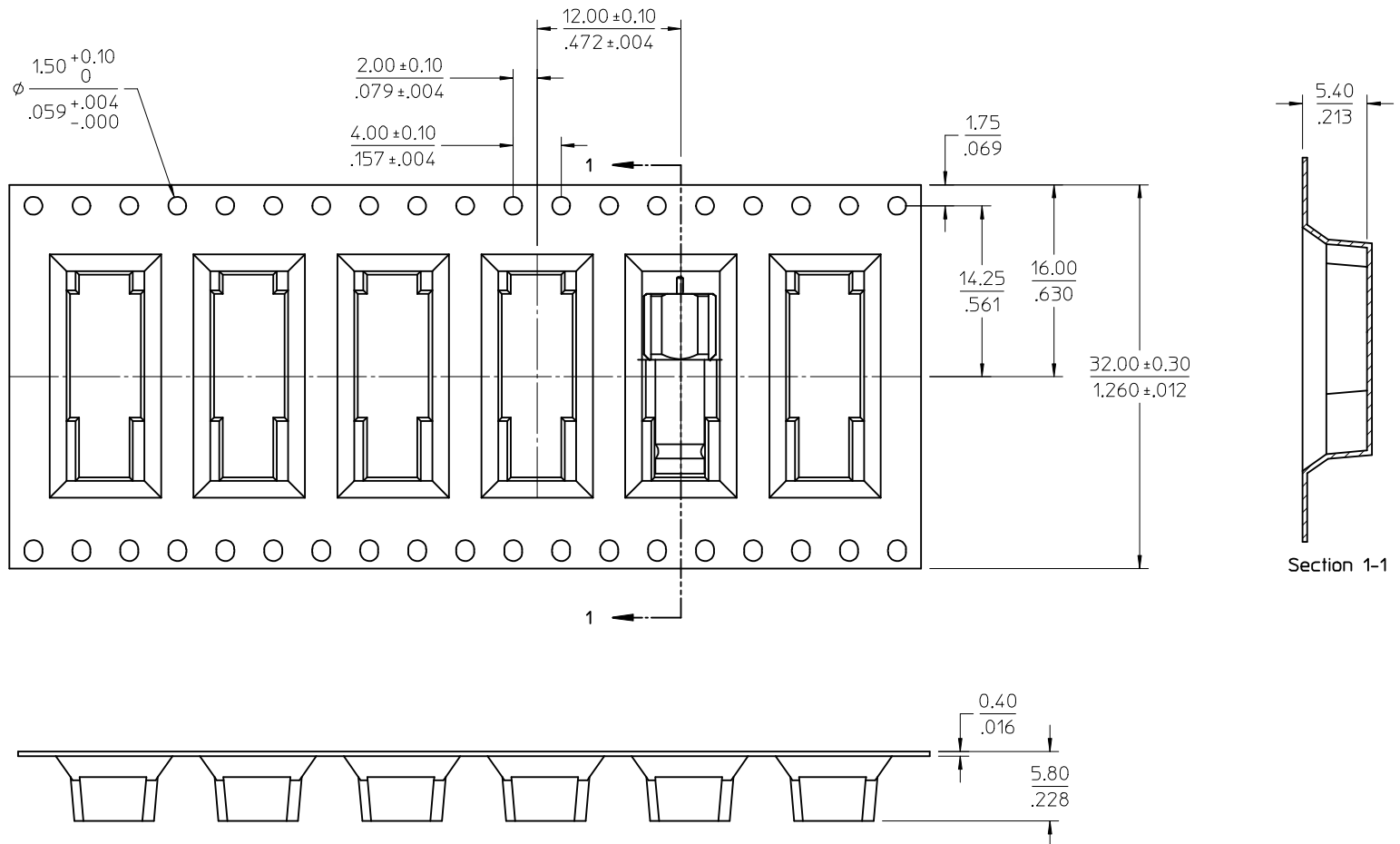


RECOMMENDED PCB LAYOUT  
DESIGN FOR 75 OHM CPW OR STRIP LINE

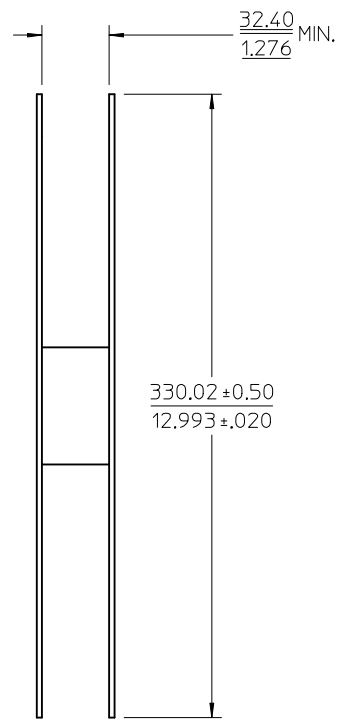
73174-0832	Au 30 MICRO-IN MIN	Ni 100 MICRO-IN MIN	Au 30 MICRO-IN MIN	Ni 100 MICRO-IN MIN	TAPE&REEL
73174-0831	Au 10 MICRO-IN MIN	Ni 100 MICRO-IN MIN	Au 30 MICRO-IN MIN	Ni 100 MICRO-IN MIN	TRAY
73174-0830	Au 30 MICRO-IN MIN	Ni 100 MICRO-IN MIN	Au 30 MICRO-IN MIN	Ni 100 MICRO-IN MIN	TRAY
PART NO.	FINISH BODY	UNDERPLATE	FINISH CONTACT	UNDERPLATE	PACKAGING

CECC-22-230	INTERFACE 75 OHM
SPECIFICATION	DESCRIPTION

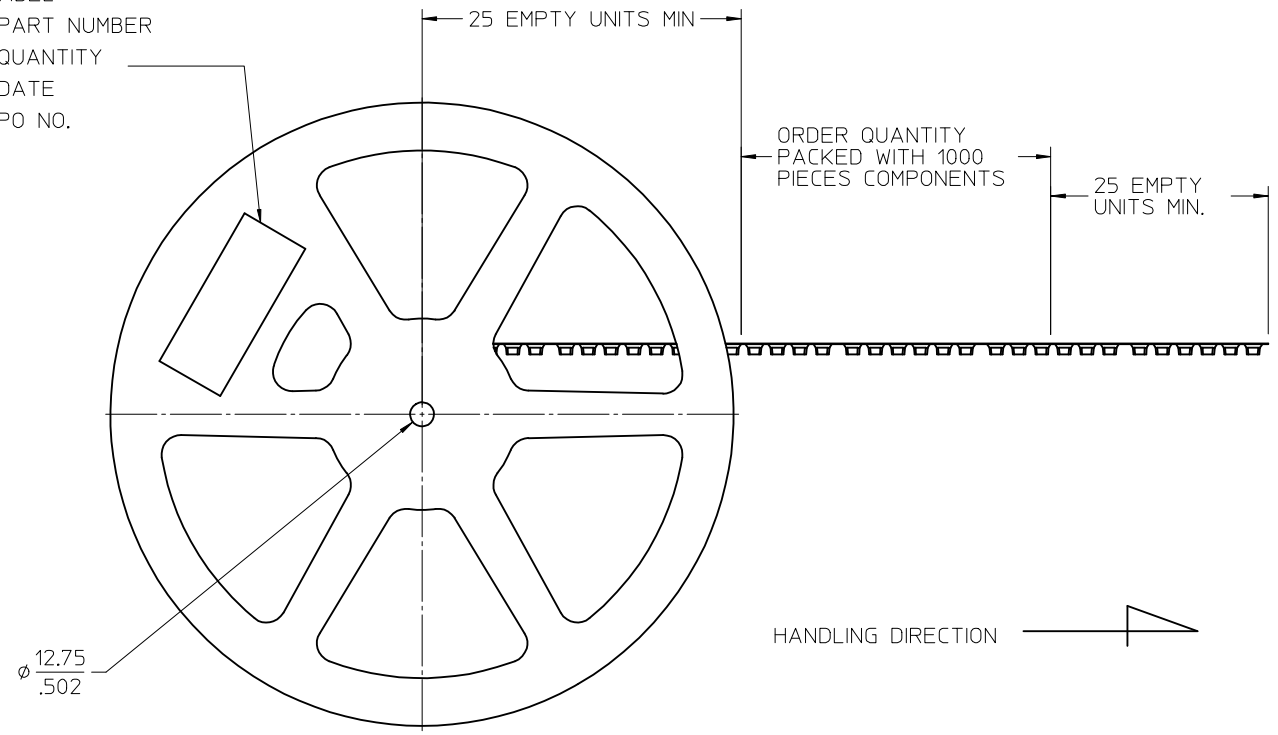
CHG:1 ADDED P/N 73174-0832 2.ADD T&R PACKING DRAWING EC NO: URF2015-0578 2015/04/17 DRWN:YCHENG CHKD: APPR:YCHENG 2015/04/27 DESCRIPTION REV: A1	QUALITY SYMBOLS ◻=0 ◻=0	GENERAL TOLERANCES (UNLESS SPECIFIED) <table border="1"> <tr> <th></th> <th>mm</th> <th>INCH</th> </tr> <tr> <td>4 PLACES</td> <td>± .---</td> <td>± .---</td> </tr> <tr> <td>3 PLACES</td> <td>± .---</td> <td>± .---</td> </tr> <tr> <td>2 PLACES</td> <td>± .---</td> <td>± .---</td> </tr> <tr> <td>1 PLACE</td> <td>± .---</td> <td>± .---</td> </tr> </table> ANGULAR ± 2 ° DRAFT WHERE APPLICABLE MUST REMAIN WITHIN DIMENSIONS		mm	INCH	4 PLACES	± .---	± .---	3 PLACES	± .---	± .---	2 PLACES	± .---	± .---	1 PLACE	± .---	± .---	DIMENSION STYLE MM/IN DRAWN BY: JDW DATE: 2009/01/30 CHECKED BY: SSS DATE: 2009/01/30 APPROVED BY: JDW DATE: 2009/01/30 MATERIAL NO. SEE TABLE SIZE: C	SCALE DESIGN UNITS METRIC THIRD ANGLE PROJECTION	TITLE 10/2.3 JACK SMT PCB 75/75 OHMS EDGEMOUNT 10/23-JR, EWR-3908 MOLEX INCORPORATED DOCUMENT NO. SD-73174-0830 SHEET NO. 1 OF 3
		mm	INCH																	
	4 PLACES	± .---	± .---																	
	3 PLACES	± .---	± .---																	
2 PLACES	± .---	± .---																		
1 PLACE	± .---	± .---																		
THIS DRAWING CONTAINS INFORMATION THAT IS PROPRIETARY TO MOLEX INCORPORATED AND SHOULD NOT BE USED WITHOUT WRITTEN PERMISSION																				
MOLEX INCORPORATED																				
SD-73174-0830																				



CHG:SEE SHEET1 EC NO: URF2015-0578 DRWN:YCHENG 2015/04/17 CHKD: APPR:YCHENG 2015/04/27	QUALITY SYMBOLS	GENERAL TOLERANCES (UNLESS SPECIFIED)		DIMENSION STYLE	SCALE	DESIGN UNITS	THIRD ANGLE PROJECTION	
	▽=0	mm	INCH	MM/IN		METRIC		
	▽=0	4 PLACES ± ---	± ---	DRAWN BY	DATE	TITLE		
	▽=0	3 PLACES ± ---	± ---	CHECKED BY	DATE	10/23 JACK SMT PCB		
		2 PLACES ± ---	± ---	SSS	2009/01/30	75/75 OHMS EDGEMOUNT		
		1 PLACE ± ---	± ---	APPROVED BY	DATE	10/23-JR, EWR-3908		
		0 PLACE ± ---	± ---	JDW	2009/01/30	<b>molex</b>		
		ANGULAR ± 2°		MATERIAL NO.	DOCUMENT NO.		SHEET NO.	
		DRAFT WHERE APPLICABLE MUST REMAIN WITHIN DIMENSIONS		SEE SHEET1	SD-73174-0830		2 OF 3	
A1	REV	THIS DRAWING CONTAINS INFORMATION THAT IS PROPRIETARY TO MOLEX INCORPORATED AND SHOULD NOT BE USED WITHOUT WRITTEN PERMISSION						



LABEL  
-PART NUMBER  
-QUANTITY  
-DATE  
-PO NO.



73174-0832 PACKING TAPE&RELL

NOTES:  
1.DIMENSIONS ARE PROVIDES FOR REFERENCE ONLY  
2. COMPONENT LOAD PER 13" REEL 1000PCS

CHG:SEE SHEET1 EC NO: URF2015-0578 DRAWN:YCHENG 2015/04/17 CHKD: APPR:YCHENG 2015/04/27	QUALITY SYMBOLS	GENERAL TOLERANCES (UNLESS SPECIFIED)		DIMENSION STYLE	SCALE	DESIGN UNITS	THIRD ANGLE PROJECTION
	▽=0	mm	INCH	MM/IN		METRIC	
	▽=0	4 PLACES ± --- ± ---		DRAWN BY	DATE	TITLE	
	▽=0	3 PLACES ± --- ± ---		CHECKED BY	DATE	10/2.3 JACK SMT PCB 75/75 OHMS EDMOUNT 10/23-JR, EWR-3908	
REV	DESCRIPTION	ANGULAR ± 2 °		APPROVED BY	DATE	MATERIAL NO.	DOCUMENT NO.
A1		DRAFT WHERE APPLICABLE MUST REMAIN WITHIN DIMENSIONS		JDW	2009/01/30	SEE SHEET	SD-73174-0830
				SIZE	THIS DRAWING CONTAINS INFORMATION THAT IS PROPRIETARY TO MOLEX INCORPORATED AND SHOULD NOT BE USED WITHOUT WRITTEN PERMISSION		
							SHEET NO. 3 OF 3