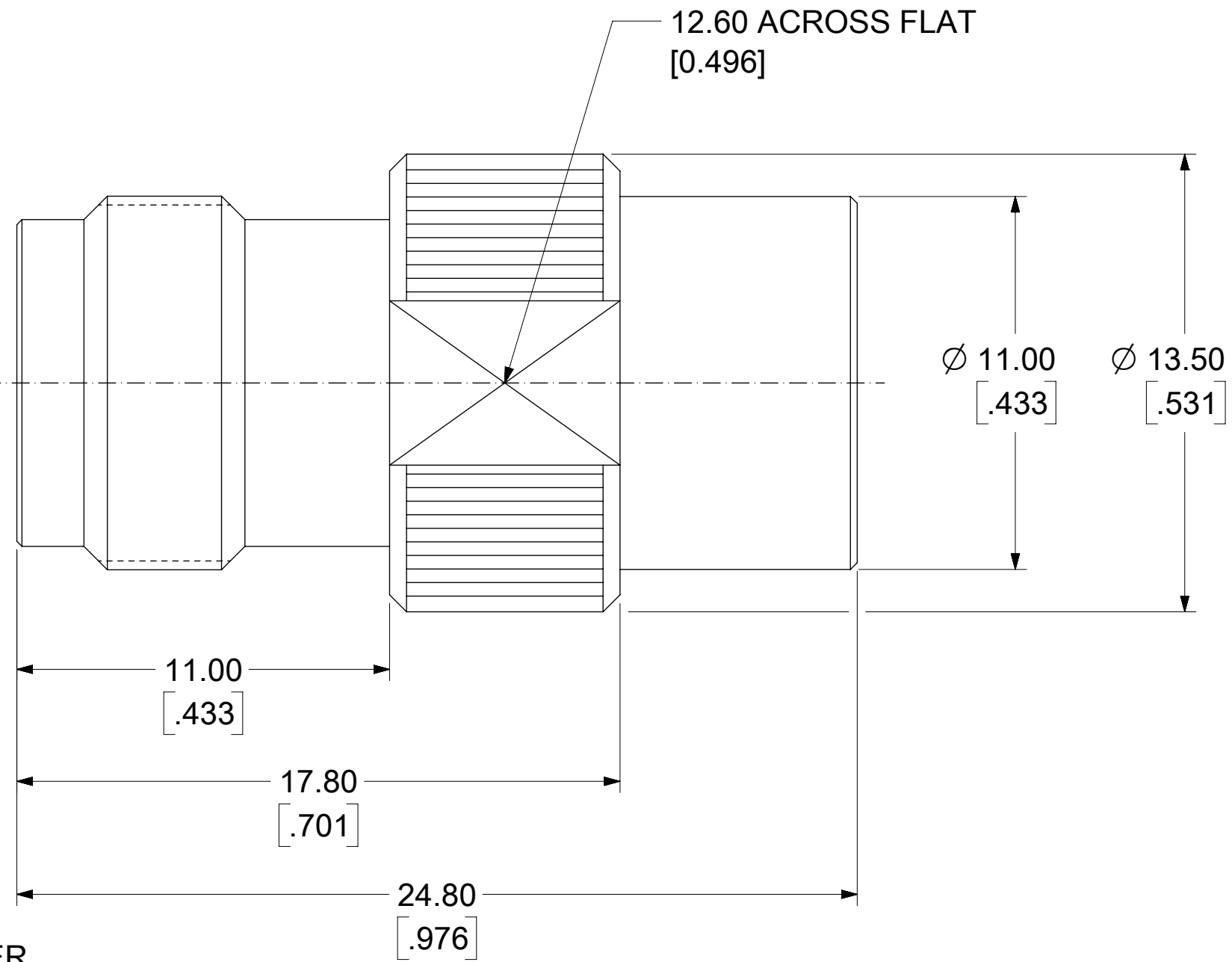


CONNECTOR INTERFACE
PER MOLEX STANDARD
ES-73599-0000



CABLE ATTACHMENT:
CENTER CONTACT -----SOLDER
OUTER CONDUCTOR ---MECHANICAL CLAMP
ASSEMBLY INSTRUCTION --- AS-73596-0033

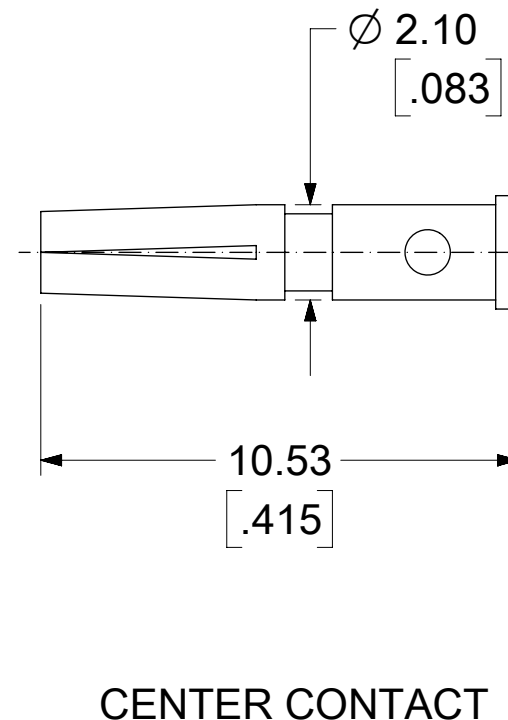
CONSTRUCTION:
CONNECTOR BODY -----BRASS
DIELECTRIC -----TEFLON
CENTER CONTACT -----PHOSPHOR BRONZE
RETAINING RING -----BRASS
CLAMP NUT -----BRASS
WASHER -----STEEL
GASKET-----SILICON RUBBER
SLEEVE -----BRASS

FINISH:
CONNECTOR BODY -----NICKEL PLATING
CENTER CONTACT-----GOLD PLATING
RETAINING RING-----NICKEL PLATING
CLAMP NUT -----NICKEL PLATING
WASHER -----NICKEL PLATING
SLEEVE-----NICKEL PLATING

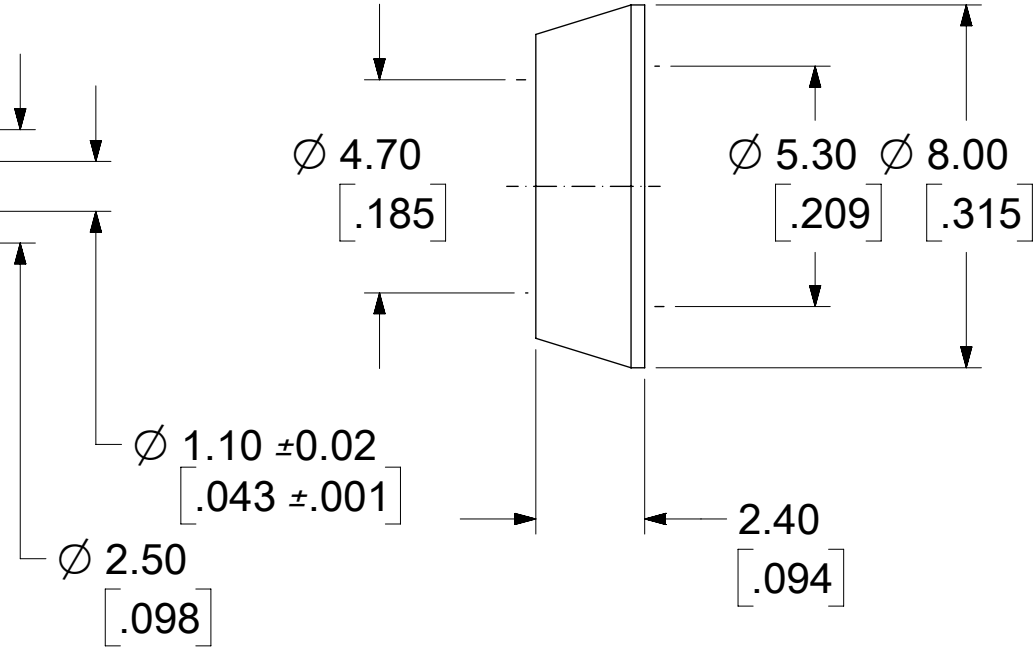
MECHANICAL & ELECTRICAL CHARACTERISTICS:
PER PRODUCT SPECIFICATION PS-73598-0069

MATERIAL & FINISHES CHARACTERISTICS:
PER PRODUCT SPECIFICATION PS-73598-0069

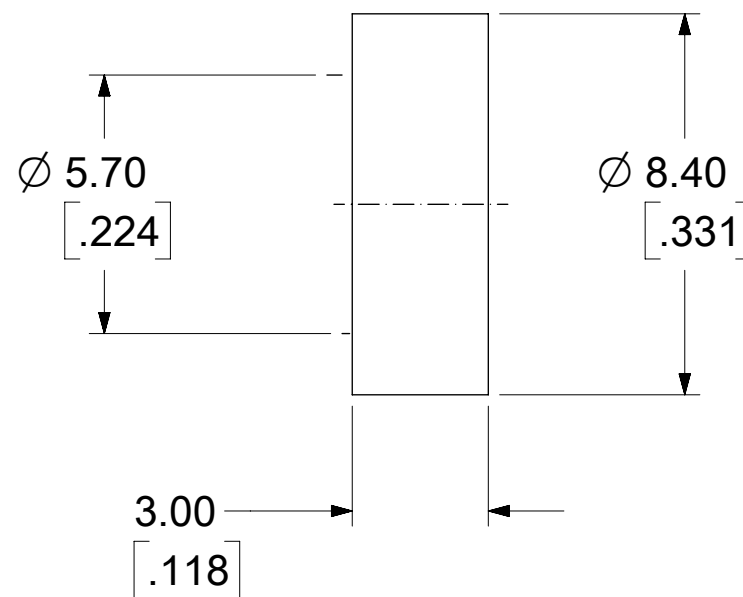
PACKAGING: INDIVIDUAL PACKAGING WITH PLASTIC BAGS



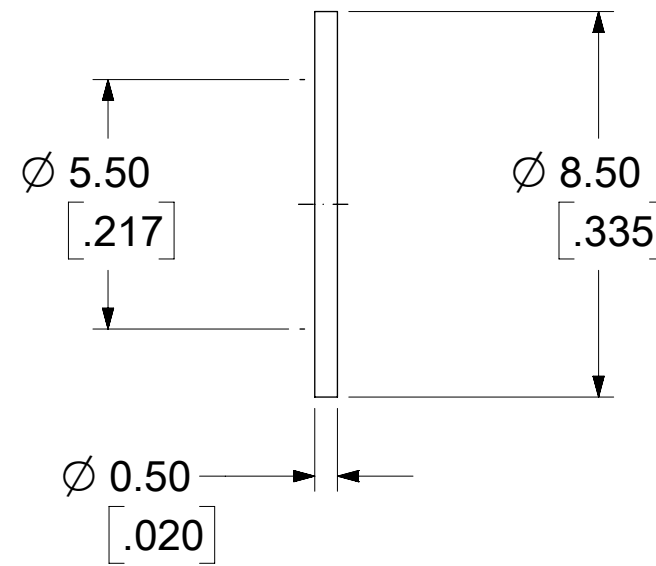
CENTER CONTACT



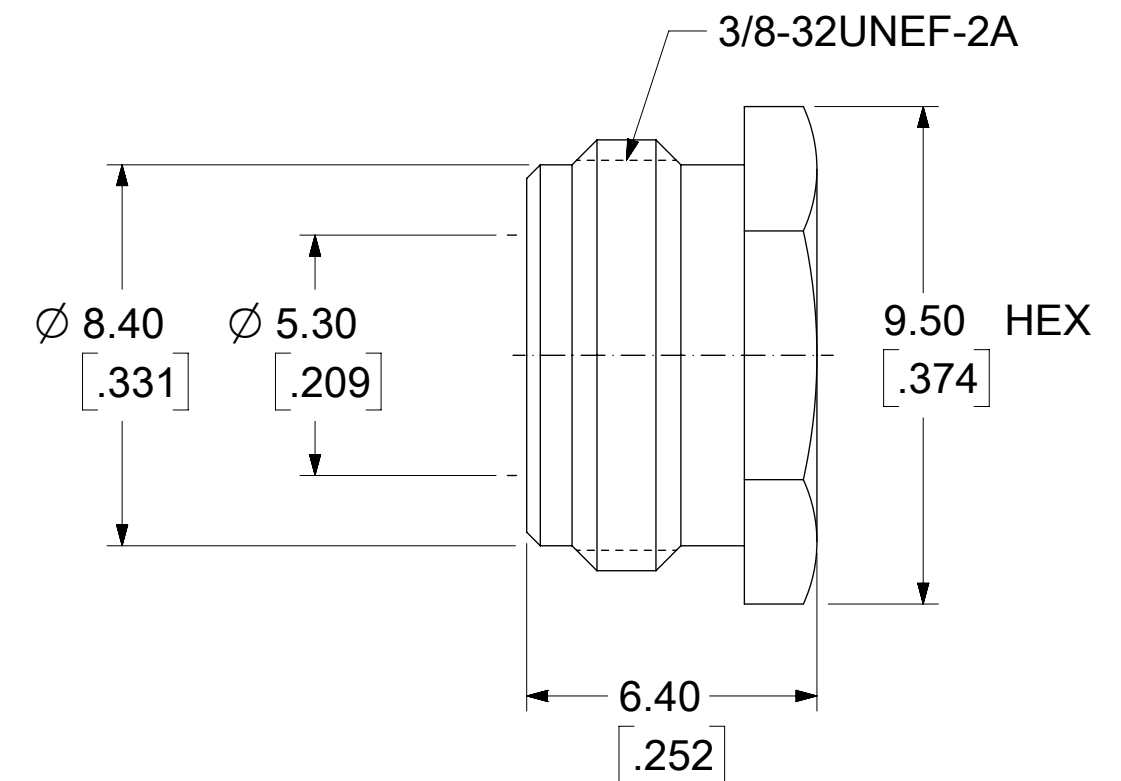
SLEEVE



GASKET



WASHER



CLAMP NUT

FUNCTIONAL SYMBOLS	THIS DRAWING CONTAINS INFORMATION THAT IS PROPRIETARY TO MOLEX ELECTRONIC TECHNOLOGIES, LLC AND SHOULD NOT BE USED WITHOUT WRITTEN PERMISSION										
	DIMENSION UNITS	SCALE	CURRENT REV DESC: EWR-14116-A REMOVE "MX" MARK							molex	
	$\frac{F}{A} = 0$	mm	1:1								
	GENERAL TOLERANCES (UNLESS SPECIFIED)			EC NO: 647660							50 OHMS TNC STR JACK RG58C, 141A, 303/U CLAMP/SOLDER
$\frac{E}{C} = 0$	ANGULAR TOL $\pm 3.0^\circ$		4 PLACES \pm		DRWN: JSU18		2020/10/23		PRODUCT CUSTOMER DRAWING		
$\frac{E}{P} = 0$	3 PLACES \pm		3 PLACES \pm		CHK'D: YCHENG		2020/10/26		DOCUMENT NUMBER		
DIVISIONAL SYMBOLS		2 PLACES ± 0.25		1 PLACE \pm		APPR: YCHENG		2020/10/26		DOC TYPE DOC PART REVISION	
INITIAL REVISION:		0 PLACES \pm		DRWN: JSU18		2020/10/23		731000051		PSD 000 A1	
DRAFT WHERE APPLICABLE MUST REMAIN WITHIN DIMENSIONS		THIRD ANGLE PROJECTION		DRAWING		SERIES		MATERIAL NUMBER		CUSTOMER	
				C-SIZE		73100		GENERAL MARKET		SHEET NUMBER 1 OF 1	