

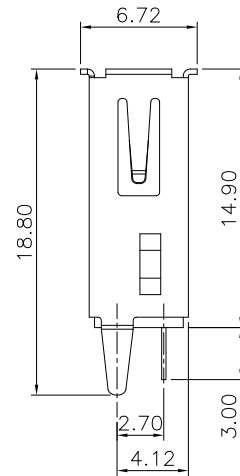
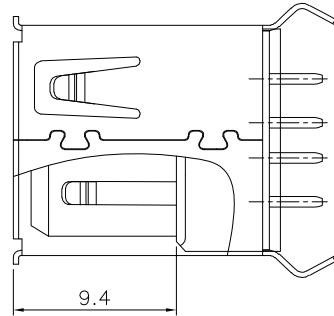
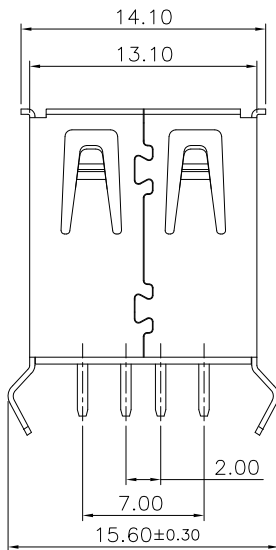
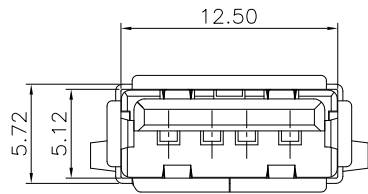
1

2

3

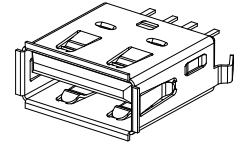
4

5



## Specifications:

Current Rating:1.0A AC/DC  
Voltage Rating:30V AC/DC  
Contact Resistance:30m ohm. Max.  
Insulation Resistance:1,000M ohm. min.  
Withstanding Voltage:500V AC For One Minute  
Operating Temperature Range:-40°C ~ +105°C



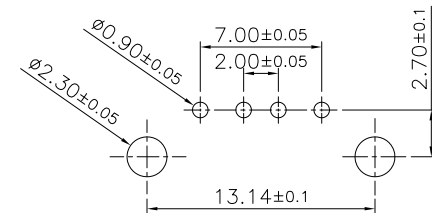
## Material And Finish

Insulator:PBT (UL94V-0)  
Contact:Phosphor Bronze  
Plating:Gold Plated on Contact Area,  
Tin Plated on Solder Tail.  
Shell:Brass, Nickel Plated

## How To Order

USB-A1VSXX

- 6:Gold Plated on Contact Area
- 7:Selective Gold Plated 15u"
- 8:Selective Gold Plated 30u"
- B: Black
- W: White



P.C.B Layout

RoHS Compliant

F				DRAWN:	GENERAL TOLERANCE:	<b>OST</b>	ON-SHORE TECHNOLOGY, INC.	DESCRIPTION:	SIZE
E				Jack Huang	.X=±0.20 .XX=±0.10				
D				CHECKED:	UNIT: MM	DESCRIPTION:	SIZE		
C				Jerry Chen	SCALE: 1:1			USB A Type PCB Socket Top Entry	
B	15-SEP-2021	Change Tray icon	Lisy Liu	APPROVAL:	SHEET: 1/2	PART NO:	SIZE		
A	15-NOV-2018		Jack Huang	Mike Wu	PROJECTION:			USB-A1VSXX	
REV	DATE	FILE	BY						