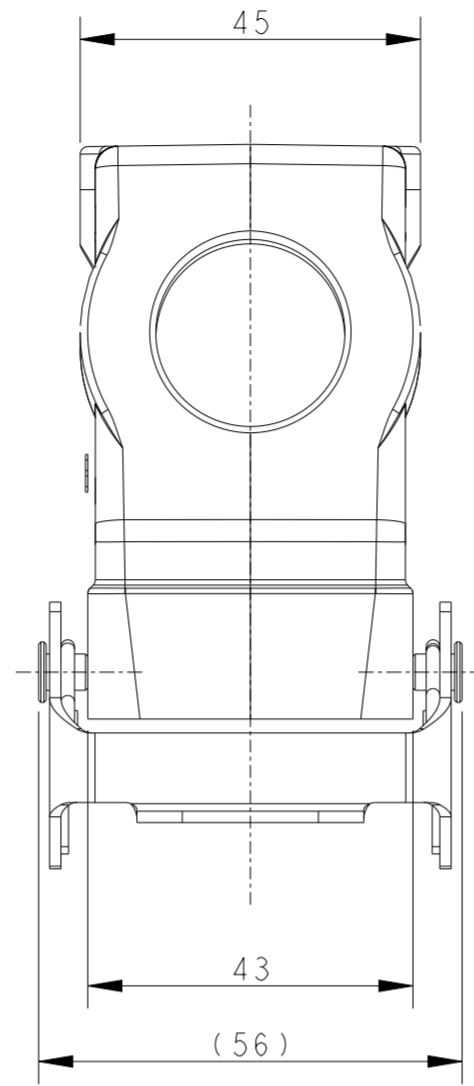
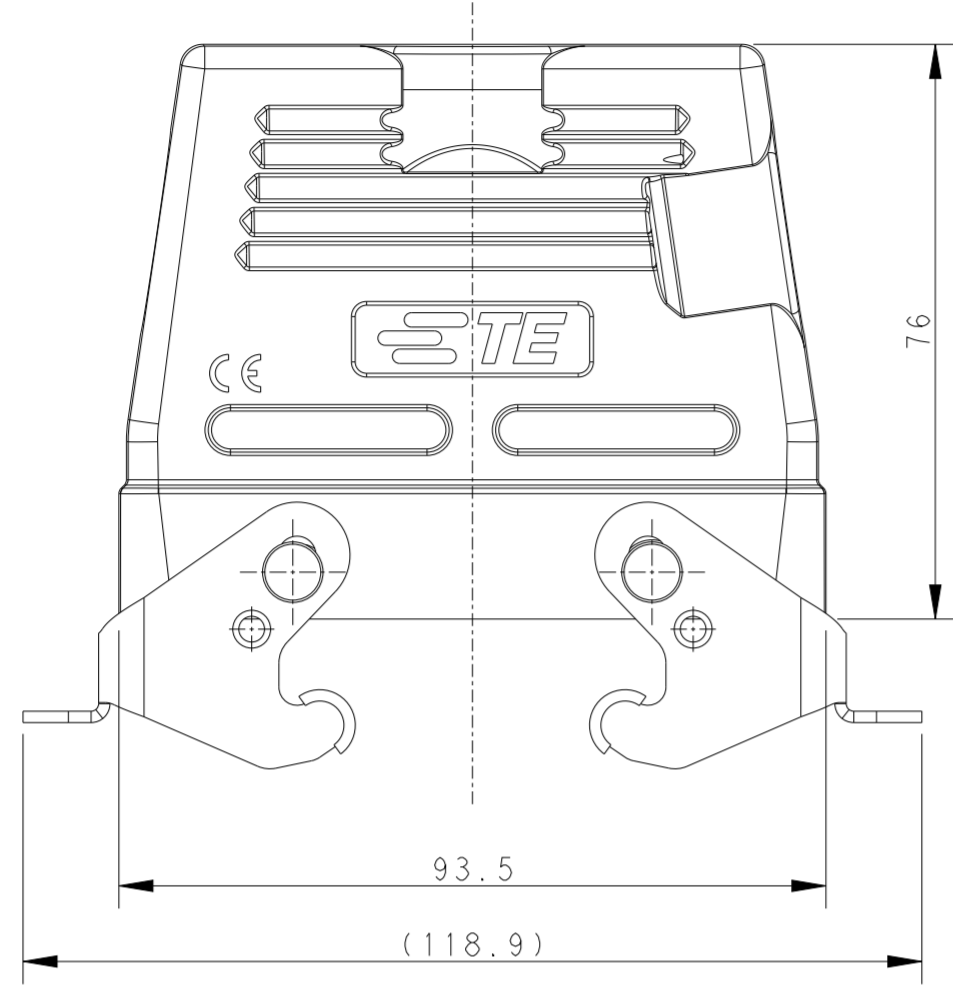


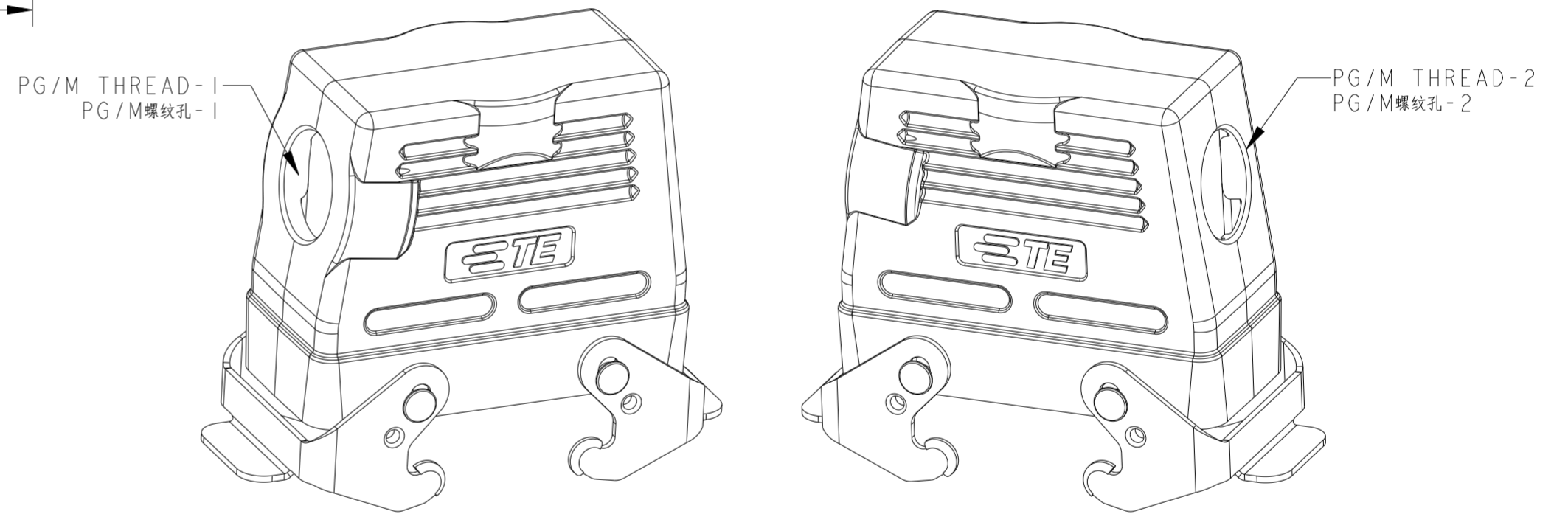
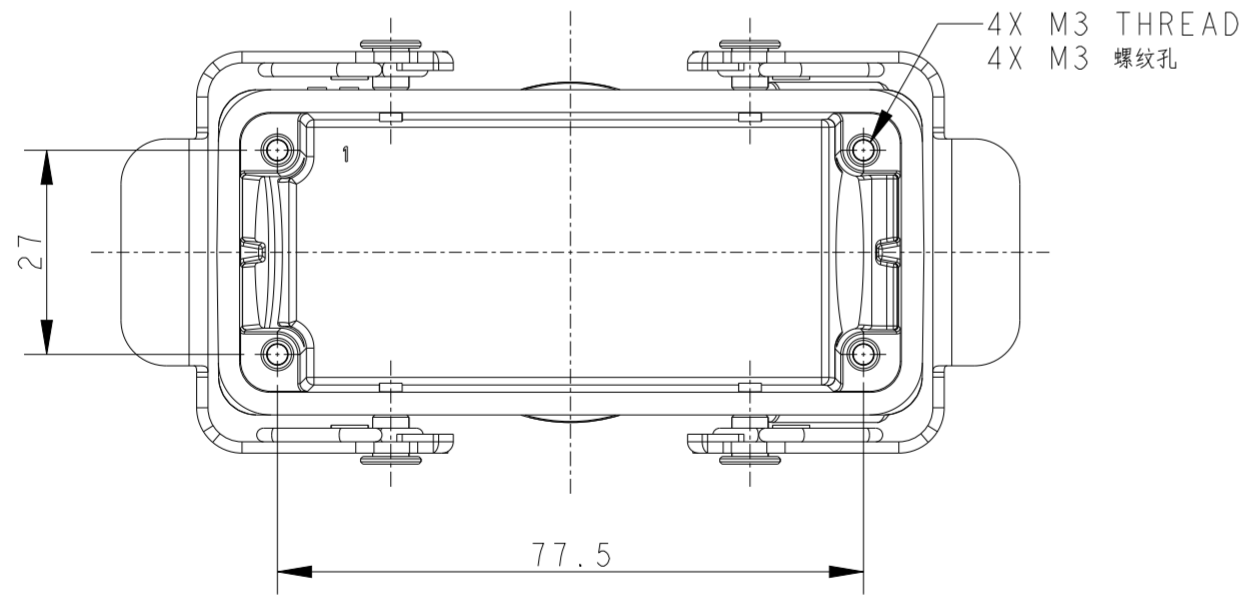
THIS DRAWING IS UNPUBLISHED. RELEASED FOR PUBLICATION 20
 © COPYRIGHT 20 BY - ALL RIGHTS RESERVED.

REVISIONS					
P	LTR	DESCRIPTION	DATE	DWN	APVD
A		INITIAL	15JAN2016	RL	CW
B		ECR-20-008190	10AUG2020	WOR	CW
B1		ECR-21-105138	29JUN2021	WOR	CW



NOTES:
 1. TECHNICAL CHARACTERISTICS:
 HOOD MATERIAL: DIE CAST ALUMINIUM ALLOY
 SURFACE: POWDER COATED, GREY
 DEGREE OF PROTECTION: IP65 (MATED)

注释:
 1. 技术参数:
 上壳材料: 铝合金
 表面处理: 粉末涂层, 灰色
 防护等级: IP65 (配合)



T1270160221-000	H16B-TSBH-2PG21 H16B上壳(侧出2PG21、彩锌双扣、高结构)	PG21	PG21
T1270160225-000	H16B-TSBH-2M25 H16B上壳(侧出2M25、彩锌双扣、高结构)	M25	M25
T1270160232-000	H16B-TSBH-2M32 H16B上壳(侧出2M32、彩锌双扣、高结构)	M32	M32
PART NUMBER 料号	PART DESCRIPTION 描述	PG/M THREAD-1 PG/M螺纹孔-1	PG/M THREAD-2 PG/M螺纹孔-2

THIS DRAWING IS A CONTROLLED DOCUMENT.

DIMENSIONS: mm	TOLERANCES UNLESS OTHERWISE SPECIFIED: 0 PLC ± 1 PLC ± 2 PLC ± 3 PLC ± 4 PLC ± ANGLES ± FINISH	DWN ROY LIU 15JAN2016	TE Connectivity
		CHK KYLE ZENG 15JAN2016	
MATERIAL -		APVD CHRIS WANG 15JAN2016	
		PRODUCT SPEC 108-137013	
		APPLICATION SPEC 114-137013	NAME H16B-TSBH-2M/PG
		WEIGHT -	SIZE CAGE CODE DRAWING NO RESTRICTED TO
		Customer Drawing	A200779 C-T12701602XX000 -
		SCALE 1:1	SHEET 1 OF 1 REV B1