

# SERIOUS™

## SIMx52 Serious HMI Module Group

### Technical Product Brief (TPB)



## DOCUMENT NOTICES

### LEGAL NOTICE

See the latest and complete warranty, licensing and legal information at [www.seriousintegrated.com/legal](http://www.seriousintegrated.com/legal).

Information herein is provided in connection with Serious Integrated, Inc. (“*Serious*”) products.

The products may comprise components designed and manufactured by *Serious* as well as other vendors. This information may refer to a variety of specifications related to those non- *Serious* components for informational purposes only, and the user is strongly urged to consult the original manufacturers’ data sheets and other documentation for authoritative specifications.

No license under any patents, copyrights, trademarks, or other intellectual property rights is granted or conferred by provision of this information, either expressly, by implication, inducement, estoppel or otherwise.

*Serious* makes no representations with respect to the accuracy or completeness of the information and may make changes to the information, specifications and product descriptions at any time without notice. Designers should not rely on the absence or characteristics of any features or instructions marked “reserved” or “undefined.” *Serious* reserves these for future definition and shall have no responsibility whatsoever for conflicts or incompatibilities arising from future changes to such features or instructions. *Serious* products may contain design defects or errors known as errata which may cause the product to deviate from published specifications. Current characterized errata are available upon request.

*Serious* disclaims any warranties whether express or implied, written, oral, statutory or otherwise relating to the information and its use, including any liability for warranties relating to fitness for a particular purpose, performance, quality, merchantability, or noninfringement of any patent, copyright or other intellectual property right. The user is responsible for determining the suitability of *Serious* products for the intended application and that applicable specifications are met.

Use of *Serious* products in automotive, military, aircraft, space, life-saving or life-sustaining applications or in any systems where failure or malfunction may result in personal injury, death or severe property or environmental damage is entirely at the user’s risk and the user agrees to defend, indemnify and hold harmless *Serious* from any and all damages, claims, suits or expenses resulting from such use.

### TRADEMARKS AND COPYRIGHTS

The “*Serious*” name and stylized Serious mark are trademarks of Serious Integrated, Inc. The information herein, unless otherwise indicated, is ©2018 Serious Integrated, Inc.

Third party brands and names are the property of their respective owners.

## CONTENTS

Document Notices .....	2
Legal Notice .....	2
Trademarks and Copyrights.....	2
Contents .....	3
Change History and Applicable Products .....	4
Document Conventions .....	5
Related Documents .....	6
SIMx62 Technical Reference Manual (TRM).....	6
SIMx62 Mechanical Design Package (MDP) .....	6
Software Reference Manuals and Support .....	6
Introduction.....	7
Usage Models .....	8
Built-In Firmware.....	9
GUI Development .....	9
Development Kits .....	10
Hardware Overview.....	11
Power .....	12
Environmental .....	12
Processor and Memory .....	12
Comm Ports and Protocols.....	13
Audio .....	13
Connectors .....	14
USB Device Port Micro B Connector.....	14
USB Host Port “A” Connector.....	14
µSDCard Socket .....	14
6-pin Power/RS485 Connector .....	14
16-Pin Wire Harness Connector .....	14
30-Pin Expansion Header.....	15
Audio Line Out Connector .....	15
Audio Speaker Out Connector.....	15
Chassis Ground Spade Lug & Standoffs.....	15
Additional Information .....	16

## CHANGE HISTORY AND APPLICABLE PRODUCTS

The following table summarizes major changes to this document and the applicable versions of the product corresponding to this document:

Doc Version	Date	For HW Versions	Major Changes
A0	07-Jul-18	1.0	Initial
A1	04-Aug-18	1.0	Typos and cleanup
B1	06-Aug-18	1.0	<ul style="list-style-type: none"><li>Re-imported/adapted from SIMx62 TPB B1</li></ul>

## DOCUMENT CONVENTIONS



This symbol indicates an advanced tip for hardware or software designers to extract interesting or unique value from the Serious Integrated Module.



Pay special attention to this note – items especially subject to change, or related to compatibility, functionality, and usage.



**WARNING: You can damage your board, damage attached systems, overheat or cause things to catch fire if you do not heed these warnings.**



Notes with this symbol are related to license and associated legal issues you need to understand to use this software. We're big believers in honoring license agreements, so please help the industry by respecting intellectual property ownership.



Some hardware features may be preconfigured or permanently reserved for use by the [SHIPEngine](#) software (the GUI management engine component of the [Serious Human Interface™ Platform](#)). Notes with this symbol indicate where the module comes pre-configured or uses these resources.

## RELATED DOCUMENTS

This document is the *Technical Product Brief (TPB)* and can be downloaded from the [mySerious.com](http://mySerious.com) portal by registered users as well as by unregistered users from the [SIMx52 home page](#).

The TPB is a higher-level document focused on understanding the principles and applications of using and ordering the product, including:

- Hardware and software overviews
- Related products and development kits
- Usage models

The TPB is to be used in conjunction with the following other documents:

### SIMX52 TECHNICAL REFERENCE MANUAL (TRM)

The TRM is focused on information necessary to the systems engineer to integrate and use the features of the modules, including

- Hardware and software overviews
- Getting Started
- Handling precautions
- Environmental limitations and DC characteristics, including power consumption and voltage specifications
- Physical characteristics (weight, etc.)
- Hardware detail feature-by-feature
- Connector summaries
- Production module order codes

The TRM can be downloaded from the [mySerious.com](http://mySerious.com) portal by registered users.

### SIMX52 MECHANICAL DESIGN PACKAGE (MDP)

The Mechanical Design Package (MDP) is a .zip file downloadable from the [mySerious.com](http://mySerious.com) portal by registered users and contains information for the Mechanical Engineer and PCB/Electrical Engineer, including 2D dimensional drawings and 3D STEP files of the various SIMx52 family members as well as a template for designers to create their own custom expansion boards.

### SOFTWARE REFERENCE MANUALS AND SUPPORT

For software downloads, support, example projects, training, and reference material, consult the [Serious Documentation Zone](#).

### INTRODUCTION

The *Serious Integrated HMI Module x52 (SIMx52)* is a series of intelligent Human Machine Interface (HMI) platforms embeddable in Original Equipment Manufacturers' (OEMs') products. The modules are capable of delivering modern, responsive, and elegant user experiences.

Powered by the Renesas RZ/A1L 400MHz ARM Cortex-A9 MPU, the modules incorporate the graphical controller, LCD interface technology, touch sensing, and all the storage and processing necessary to deliver a rich user experience. The off-the-shelf Serious Human Interface™ Platform (SHIP) firmware engine is preloaded to execute user interfaces developed in the [SHIPTide GUI development tool](#).

Various families within the group are anticipated, including integrated LCD families such as the SIM152 (3.5"), SIM252 (4.3"), SIM352 (5"), and SIM552 (7"). Even within a given family, for example the SIM552, there are numerous LCD options for brightness, backlight longevity, touch technology, etc. to meet the cost and usability needs of the end-system designer.

Designed to easily integrate into an OEM's system, the modules feature a wide input 10.8-35VDC input power supply and wide operating temperature.

The SIMx52 can be used stand-alone in a system, connected either directly inside the system chassis to an OEM control subsystem or remotely (for example) over an RS485 type network running Modbus. While primarily designed to deliver the Human Machine Interface (HMI), a SIMx52 is capable of some measure of system control through its powerful built-in scripting language and operating environment. The modules feature native 3.3V UART, 480Mbps USB2.0 Host and Device, and RS485 connectivity with several protocols supported including Modbus (Master/Slave, ASCII/RTU) and the more powerful SHIPBridge protocol for bidirectional data movement and firmware management.

To add rich cloud or network connectivity (including expanded protocols e.g. Ethernet/IP, TCP/IP, CAN, etc.) as well as increase the sophistication and power of the machine control, a compatible *Serious Communications/Control Module (SCM)* can be directly docked into the back of any SIMx52 platform. For example, the SCM318 can add sophisticated IT, IoT, and industrial/factory network connectivity as well as potentially replace custom system control subsystems and features WiFi, Bluetooth 5, Ethernet, CAN, RS485, on-board processing, and more.

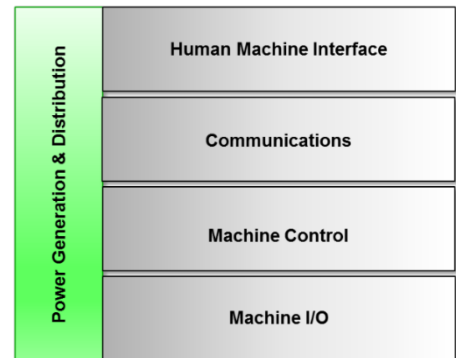
There are numerous other Serious HMI and Communications modules available: for a complete list see [www.seriousintegrated.com/SIMs](http://www.seriousintegrated.com/SIMs) and [www.seriousintegrated.com/SCMs](http://www.seriousintegrated.com/SCMs) respectively.



## USAGE MODELS

Most OEM systems architectures can be represented as a functional stack with four layered ingredients:

- The Human Machine Interface, traditionally lights and buttons, and now moving to intelligent graphic/touch LCD panels,
- A communications hub handling all communications between the HMI and machine as well as externally to the cloud and industrial/enterprise networks,
- Intelligent machine control, including sequencing and safety algorithms for monitoring and controlling the low-level machine I/O, and,
- Low-level machine I/O, including actuators, sensors, and controls that affect the physical operation of the system.



Alongside these four ingredients is the power generation and distribution system, often 12 or 24VDC supplied initially by 110/220VAC wall power.

[Serious Integrated Modules \(SIMs\)](#) are off-the-shelf complete solutions to the HMI front panel, including no-cost rapid GUI development tools and software by *Serious* — the Serious Human Interface™ Platform (SHIP). SHIP is not a traditional low-level C-based programming environment, but rather a high level rapid user experience (UX) development system that abstracts the designer from the complexity of developing modern UX solutions. There is no faster and more effective way to develop, deploy, maintain, and evolve a scalable front panel HMI solution than with SIMs and SHIP enabling technologies.

[Serious Communications Modules \(SCMs\)](#) are off-the-shelf hardware solutions to the communications layer of the stack. The software on SCMs is designed to be highly tuned to the OEM’s specific system and communications needs, and traditional C-based development supported by Serious reference software and third-party partner software infrastructure, such as complete software stacks from [Segger](#), make software development for SCMs far easier than ground-up custom OEM designs.

[Serious Unified Modules \(SUMs\)](#) combine the two ingredients of a SIM and SCM into a single cost-optimized solution. While retaining the flexibility and power of the independent programming environments, sharing various electronic elements, such as power supplies, provides cost savings albeit without the mix-and-match flexibility of independently selected and paired SIMs and SCMs.



## BUILT-IN FIRMWARE

Every Serious Integrated HMI Module (SIM) includes the no-cost [Serious Human Interface™ Platform](#) (SHIP) firmware suite built-in.

The firmware includes boot loaders ([SHIPPaddle](#) and [SHIPTug](#)) in the [SHIP v5 Boot System](#), as well as the [SHIPEngine](#) runtime GUI management and execution engine which runs GUIs developed by the [SHIPTide GUI Development Tool](#).

SHIPTug and SHIPEngine also include the [SHIPBridge Protocol](#) for remote system management, updates, and file and data transfers over-the-wire. The widely implemented Modbus protocol is also supported in SHIPEngine GUIs.

This firmware is fully supported and validated by *Serious*, and includes all drivers, stacks, OS, rendering, and more. Regular updates are available from *Serious* and can be provisioned at system assembly time, in the field via [USB A Host Connector](#) or [μSDCard Socket](#) with thumb drives/memory cards, or even over the air/wire depending on connectivity provided.

## GUI DEVELOPMENT

Developing a complete graphic user interface (GUI) can be a complex, time consuming, and expensive endeavor. Often tens of thousands of lines of custom C code need to be developed in conjunction with custom hardware drivers and off-the-shelf libraries. For rapid GUI development, the [Serious Human Interface™ Platform](#) (SHIP) offers PC-based GUI design tools and rapid GUI prototyping, development, and deployment. With minimal coding you can create attractive and functional GUIs in a fraction of the time of C-based development.

For a designer selecting the hardware for a graphic/touch interface, it is very difficult to know if the result after many months of software and graphic design will have acceptable performance. Will the system be responsive? Will it be visually attractive? Will the look-and-feel be consistent with the company's brand image? *Serious* addresses these OEM designer challenges by delivering software, tools, and consulting services along with GUI examples, extensive documentation, and video training modules.



The SIMX52 is designed for use with the [Serious Human Interface™ Platform](#) tools and software. These PC-based tools offer rapid GUI prototyping, development, and deployment without the use of JTAG debuggers and low-level coding. With minimal custom software you can create attractive and functional GUIs in a fraction of the time of C-based GUIs. See [www.seriousintegrated.com/SHIP](http://www.seriousintegrated.com/SHIP) for details.



The SHIP environment natively supports Modbus, SHIPBridge, and Raw protocols and it is easy to connect data from these protocols to GUI objects

C-level programming of the SIMX52 group of modules is not supported by *Serious*.

## DEVELOPMENT KITS

Modules included SIMx52 development kits are identical to production modules. However, the kits also include handy extras for use in early system integration and development, including:

- Example demonstration bezel to mitigate ESD and physical handling damage during development and (as often happens!) carrying the dev kit into meetings and demonstrations
- A 16-pin wire harness for prototyping that can plug into the [16-Pin Wire Harness Connector](#), as well as a business-card sized wire chart for the harness showing the pinout and signals and colors of the wires
- A 6-pin screw terminal plug that can plug into the [6-pin Power/RS485 Connector](#)
- A 12VDC Wall Power adapter (120/240VAC capable)
- Barrel jack conversion adapters from the barrel plug on the wall adapter to the wires of the example harnesses.
- A female push-on spade lug wire for connecting the chassis ground to either a system chassis ground, or, in the absence of such, looping over to a digital signal ground on the [6-pin Power/RS485 Connector](#).

The following development kits for SIMx52 families are planned:

Order Code	Pkg Qty	Description
SIM552-A01-C45ALMDA-DEV-01 *	1	Dev Kit: SIM552-A01-C45ALMDA, Cables, Power Supply, <i>Serious</i> SW Dev Tools Includes SHIPTide HMI SW Dev Tool, SHIPC Crane Production Programming SW Tools
SIM552-A01-R55ALLDA-DEV-01 *	1	Dev Kit: SIM552-A01-R55ALLDA, Cables, Power Supply, <i>Serious</i> SW Dev Tools Includes SHIPTide HMI SW Dev Tool, SHIPC Crane Production Programming SW Tools
SIM252-A01-C42ALMBA-DEV-01 *	1	Dev Kit: SIM252-A01-C42ALMBA, Cables, Power Supply, <i>Serious</i> SW Dev Tools Includes SHIPTide HMI SW Dev Tool, SHIPC Crane Production Programming SW Tools
SIM252-A01-R32ALMBA-DEV-01 *	1	Dev Kit: SIM252-A01-R32ALMBA, Cables, Power Supply, <i>Serious</i> SW Dev Tools Includes SHIPTide HMI SW Dev Tool, SHIPC Crane Production Programming SW Tools

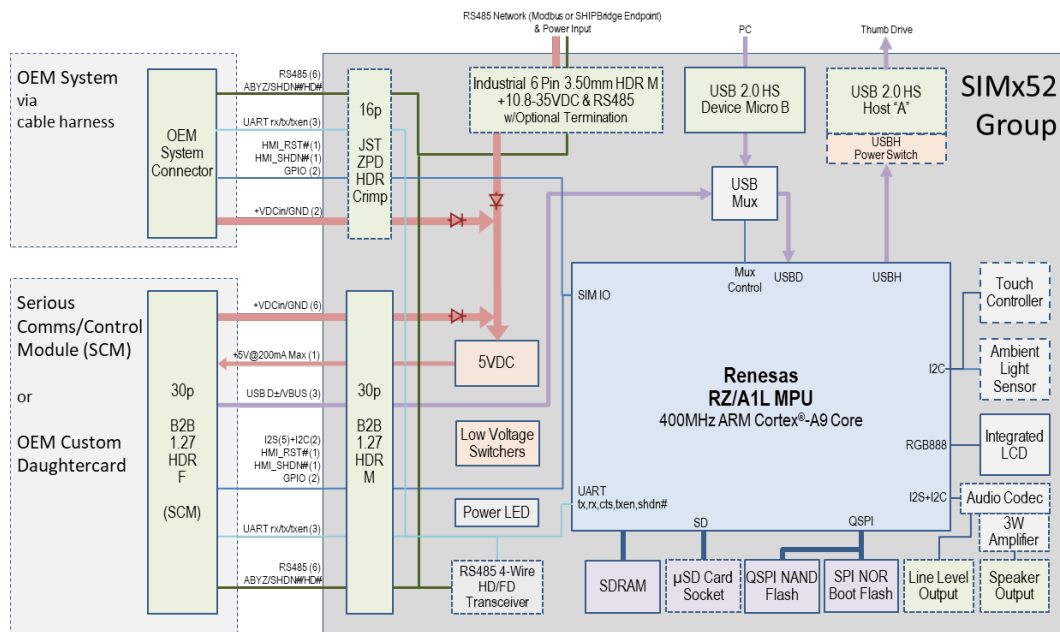
\* available at product launch

For non-touch applications, the resistive touch kit can be used.

### HARDWARE OVERVIEW

While the SIMx52 group has numerous specific family members (aka “variants”) with subset capabilities, the family has the following features:

- Processor and Memory
  - Renesas RZ/A1L 400MHz ARM Cortex A9 MCU
  - 32MB SDRAM with 8MB boot Serial NOR Flash
  - 128MB QSPI NAND Flash storage for program, non-volatile data, and files system storage
  - μSDCard socket for (user supplied) memory cards for file system expansion and firmware/GUI updates
- Integrated graphics/touch and audio I/O
  - Integrated LCD with touch controller or HDMI A headless version for external 720p monitor connections
  - Ambient Light Sensor for high brightness LCD options
  - Integrated audio codec with headphone/line-level and 3W speaker amplifier outputs; external codec/amplifier option
- Numerous communications ports:
  - USB 2.0 high speed 480mbps embedded host port A connector
  - USB 2.0 high speed 480mbps device port Micro B connector
  - RS422/485 port with selectable duplex and termination
  - 3.3V UART with transmit control (shared with RS422/485 port)
- Simple in-chassis connectivity
  - Direct Dock to Generation 5 Serious Comms/Control Modules (SCMs, e.g. SCM318) via the [30-Pin Expansion Header](#)
  - RS485/UART, Power, and control via the [16-Pin Wire Harness Connector](#)
  - RS485 and power via the [6-pin Power/RS485 Connector](#)
  - Audio output via the [Audio Line Out Connector](#) and [Audio Speaker Out Connector](#)
- 10.8-35VDC wide range power supply input
- -40 to +85C operating temperature range components (further limited by LCD option)



SIMx52 Hardware Block Diagram

Not all features are available on all SIMx52 families and variants (family members). Dashed lines in the figure indicate variant-dependent options and optional accessories. For a more detailed hardware description, see the [SIMx52 Technical Reference Manual \(TRM\)](#).

## POWER

The SIMx52 group modules can be powered by most 10.8-35VDC power inputs. The on-board power converters are tolerant of most embedded system supplies, however in harsh power environments (for example, automotive applications), additional filtering and clamping is strongly recommended.

This input power can be supplied through the [6-pin Power/RS485 Connector](#), the [16-Pin Wire Harness Connector](#), or the [30-Pin Expansion Header](#).

Consult the [SIMx52 Technical Reference Manual \(TRM\)](#) for input power requirements for each family member, as the power budget varies significantly based on the specific variant and attached LCD.

## ENVIRONMENTAL

All components of the SIMx52 group family members are rated for -40 to +85C ambient temperature operation.

However, integrated LCD models will often have their operating temperatures limited by the temperature range of the LCD itself. The LCD code in the part number for each specific SCMx62 module encodes the temperature range for the associated LCD. A Serious LCD code part number decoder can be found [here](#), and the LCD-adjusted temperature range of each specific family member can be found in the [SIMx52 Technical Reference Manual \(TRM\)](#).

## PROCESSOR AND MEMORY

The heart of the SIMx52 family is the [Renesas RZ/A1L MPU](#), a high-performance processor with a 400MHz ARM Cortex A9 core. The MPU has 3MB of on-chip RAM for application and key data caching, so most variants of the SIMx52 include some amount of external SDRAM for volatile storage of programs and GUI data.

The RZ MCU boots from Serious firmware stored in a dedicated partition in the on-board Flash memory and through a series of boot stages (described in the [SHIPv5 Boot System](#)). The [SHIPEngine](#) GUI rendering application, included with every SIM, loads and operates the GUI file(s) created by the [SHIPTide](#) GUI development tool.

SIMx52 modules typically include 128MB of on-board non-volatile storage in the form of a QSPI NAND Flash device. The main partition of the NAND Flash is formatted as an embedded file system for storage of user files, including images, audio files, configuration data, and more.

Some SIMx52 variants also have an [µSDCard Socket](#) and/or [USB Host Port “A” Connector](#), both of which can be used for removable storage expansion. These can be used in a variety of ways, for example:

- permanently installed to expand on-board file storage capability
- occasionally installed to upgrade firmware, files, or GUIs
- removed and replaced with (say) advertising images or training videos that change from time to time.



The [Serious Human Interface™ Platform](#) firmware for the SIMx52 supports file system access within user GUIs.



The SIMx52 built-in firmware (SHIPTug, SHIPEngine) can optionally/automatically upgrade firmware and GUIs on the SIMx52 on insertion of removable media.



The SHIPEngine firmware for the SIMx52 supports on-board and removable media file system access within user GUIs.



An attached Serious Communications/Control Module (SCM) communicating via the SHIPBridge protocol can remotely access the file systems over-the-wire.

## COMM PORTS AND PROTOCOLS

Each SIMx52 module includes numerous physical connectors for communications, including:

- [USB Host Port “A” Connector](#)
- [USB Device Port Micro B Connector](#)
- [6-pin Power/RS485 Connector](#)
- [16-Pin Wire Harness Connector](#)
- [30-Pin Expansion Header](#)

The physical protocols of 3.3V UART, RS422/485, and USB Host/Device are carried on these various connectors.



The SIMx52 built-in firmware supports numerous built-in protocols including Modbus and [SHIPBridge](#) which can be used over many of these connectors.

Consult the [SIMx52 Technical Reference Manual \(TRM\)](#) for a more detailed description of ports and protocols supported on each connector.

## AUDIO

Many variants of the SIMx52 include an on-board audio codec and amplifier combination. The [Audio Line Out Connector](#) supports line-out and headphone applications. The SIMx52 also has a built-in speaker amplifier that can drive up to 3W into a 4Ω speaker via the [Audio Speaker Out Connector](#). This output power will meet the needs of many products without having to use an external high-power amplifier.

The modules also support audio outputs to external codec/amplifiers via an I2S digital output on the [30-Pin Expansion Header](#).

## CONNECTORS

The SIMx52 hardware will often be used inside a device or machine chassis where other OEM-unique electronics and controls are present.

See the [SIMx52 Technical Reference Manual \(TRM\)](#) for detailed descriptions (including pinouts, DC characteristics, and protocols supported) of these SIMx52 connectors:

### USB DEVICE PORT MICRO B CONNECTOR

A PC (or embedded host) supporting CDC/Raw, CDC/Modbus, or the SHIPBridge Protocol (over CDC or vendor class) can connect via a simple USB cable to the USB Device Port Micro B connector. The SIM cannot be powered through this connector.

### USB HOST PORT “A” CONNECTOR

If the attached device can be controlled via CDC/Raw, CDC/Modbus, or the SHIPBridge Protocol (over CDC or vendor class), a simple USB cable can connect the embedded USB Host Port “A” connector to the rest of the system. A storage media thumb drive can also be inserted in this connector for firmware updates as well as GUI file access.

### μSDCARD SOCKET

Some SIMx52 variants include a μSDCard socket designed to accommodate most off-the-shelf memory cards.

### 6-PIN POWER/RS485 CONNECTOR

An industrial 6-pin 3.5mm screw-terminal-plug connector provides the simplest single way to connect to a SIMx52 module with power and RS422/RS485.

Most SIMx52 variants include an on-board RS485 Transceiver supporting 4-wire and 2-wire connections with on-board termination and half/full duplex options.



### 16-PIN WIRE HARNESS CONNECTOR



When more complex connectivity or control is required than the [6-pin Power/RS485 Connector](#), the 16-pin wire harness connector supports a robust, vibration-resistant locking mechanism with crimp type pins in the housing.

The connector shares the six RS485 and power signals with the [6-pin Power/RS485 Connector](#) and [30-Pin Expansion Header](#). However, like the [30-Pin Expansion Header](#), the 16-pin connector also exposes the underlying 3.3V UART for the RS485 port that can be accessed directly by disabling the RS485 transceiver. It also includes several control and GPIO type signals:

- SIM\_RESET# to reset the module from an external source
- SIM\_SHDN# to place the module in power-down mode
- RS485\_SHDN# to disable the on-board RS485 transceiver enabling UART-direct mode
- GPIO0/1/2 as general purpose 3.3V I/O signals controllable from within GUIs

## 30-PIN EXPANSION HEADER

A 30-pin, 1.27mm pitch dual-row board-to-board header enables the most flexible expansion capability for the SIM. With 7mm board-to-board spacing, double sided SMD as well as through hole components can be supported on a custom PCB plugged into this header. Several off-the-shelf new Serious Comms/Control Modules (SCMs) are capable of docking directly into this socket, for example the SCM318.

This 30-pin header shares the most of the same signals as the [16-Pin Wire Harness Connector](#). In addition to these common signals, it also enables an external USB2.0 High Speed Host to connect to the SIM directly and an I2S audio channel to connect to off-board codecs and integrated codec/amplifiers.

## AUDIO LINE OUT CONNECTOR

The SIMx52 family has a built-in codec with line out connector for driving headphones or externally powered speakers. A 2-pin wire harness/crimp-pin connector provides connectivity for this purpose.

## AUDIO SPEAKER OUT CONNECTOR

The SIMx52 also has a built-in speaker amplifier that can drive up to 3W into a 4Ω speaker. This output power will meet the needs of many products without having to use an external high-power amplifier. A 3-pin wire harness/crimp-pin connector provides connectivity for this purpose.

## CHASSIS GROUND SPADE LUG & STANDOFFS

Chassis ground is independent from signal ground on the SIMx52 modules and a dedicated 0.25" male spade lug as well as specific board-to-board standoffs enable connecting this chassis ground signal to the system chassis ground.

## ADDITIONAL INFORMATION

This information is preliminary and provided prior to production release for advance planning for our customers. Further information is available directly and only from *Serious* until production release.

Upon production release, the home page for SIMx52 group technical documentation, including schematics, 3D STEP files, and more, will be [www.seriousintegrated.com/docs](http://www.seriousintegrated.com/docs).

For technical assistance with the SIMx52:

- Contact a [Serious manufacturers' representative](#)
- Contact a [Serious authorized distributor](#)
- Visit [mySerious.com](http://mySerious.com)
- [Contact Serious](#) directly