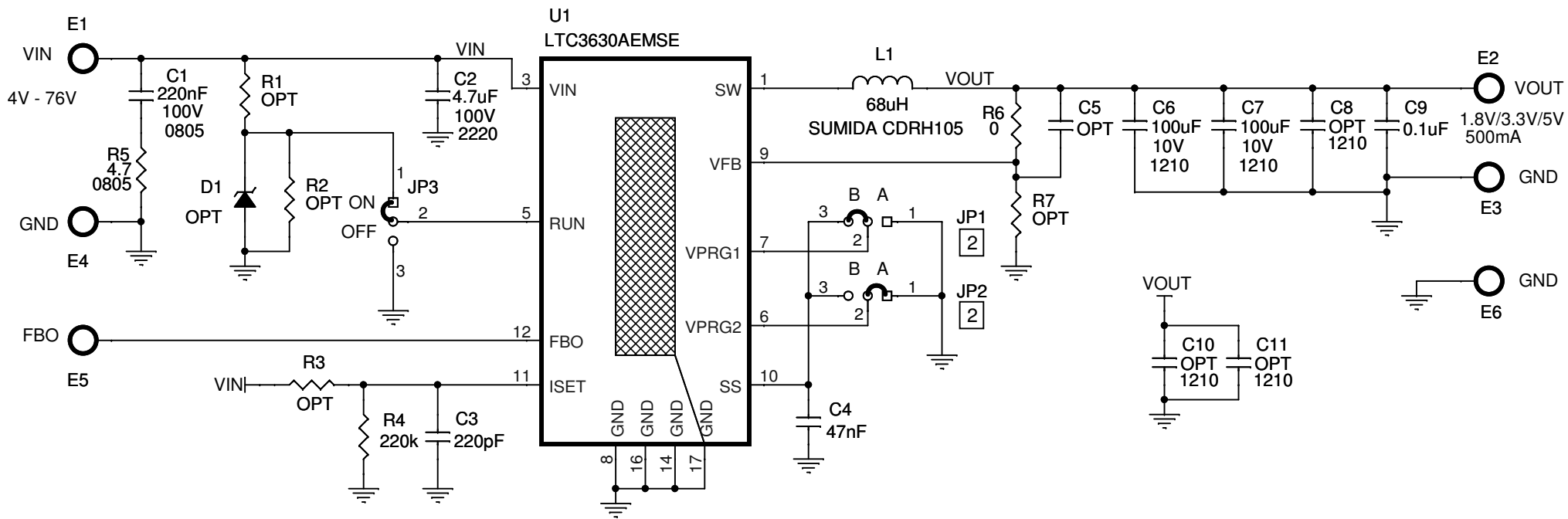


REVISION HISTORY				
ECO	REV	DESCRIPTION	DATE	APPROVED
	1	PROD	04/12/13	CHARLIE Z.



NOTE: UNLESS OTHERWISE SPECIFIED

1. ALL RESISTORS AND CAPACITORS ARE 0603.

2	VOUT	JP1	JP2
	1.8V	B	B
	3.3V	A	B
	5.0V	B	A
	EXT. R	A	A

**CUSTOMER NOTICE**  
 LINEAR TECHNOLOGY HAS MADE A BEST EFFORT TO DESIGN A CIRCUIT THAT MEETS CUSTOMER-SUPPLIED SPECIFICATIONS; HOWEVER, IT REMAINS THE CUSTOMER'S RESPONSIBILITY TO VERIFY PROPER AND RELIABLE OPERATION IN THE ACTUAL APPLICATION. COMPONENT SUBSTITUTION AND PRINTED CIRCUIT BOARD LAYOUT MAY SIGNIFICANTLY AFFECT CIRCUIT PERFORMANCE OR RELIABILITY. CONTACT LINEAR TECHNOLOGY APPLICATIONS ENGINEERING FOR ASSISTANCE.

THIS CIRCUIT IS PROPRIETARY TO LINEAR TECHNOLOGY AND SUPPLIED FOR USE WITH LINEAR TECHNOLOGY PARTS.

APPROVALS	
PCB DES.	MI
APP ENG.	CHARLIE Z.
SCALE = NONE	

**LINEAR TECHNOLOGY**  
 1630 McCarthy Blvd.  
 Milpitas, CA 95035  
 Phone: (408)432-1900 www.linear.com  
 Fax: (408)434-0507  
 LTC Confidential-For Customer Use Only

TITLE: SCHEMATIC  
 HIGH EFFICIENCY, 76V, 500mA SYNCHRONOUS STEP-DOWN CONVERTER

SIZE	IC NO.	REV.
N/A	LTC3630AEMSE DEMO CIRCUIT 2105A-A	1

DATE: 04/16/13 12:29:21 SHEET 1 OF 1