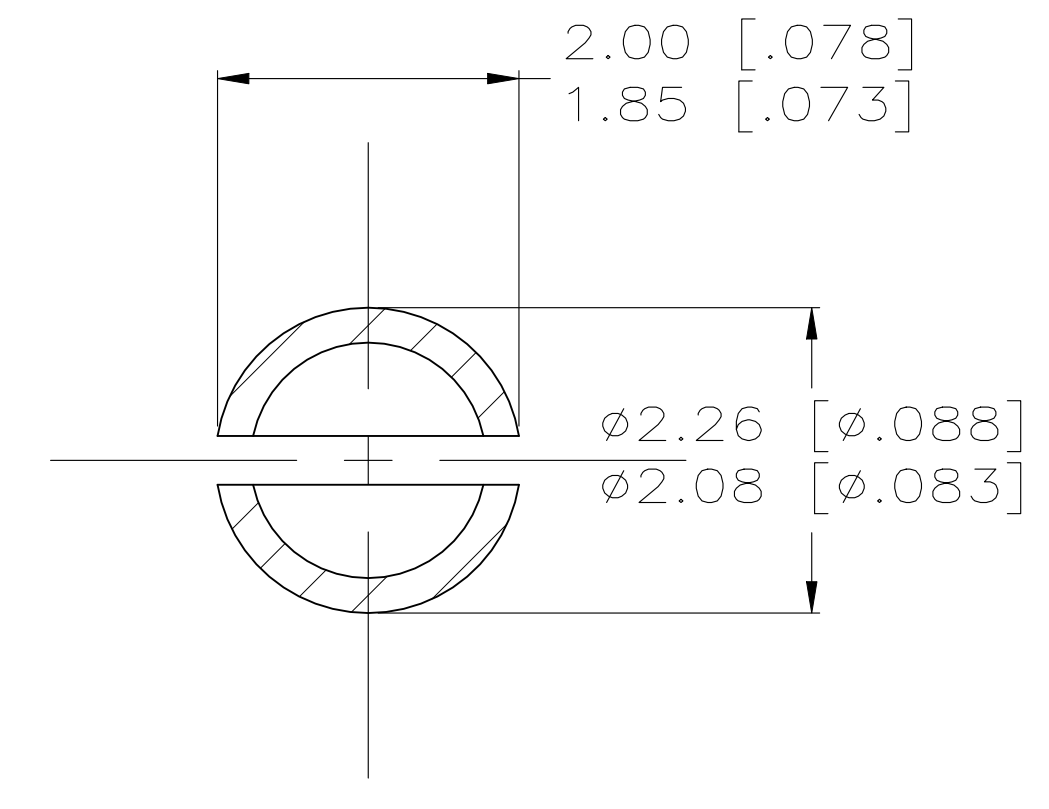
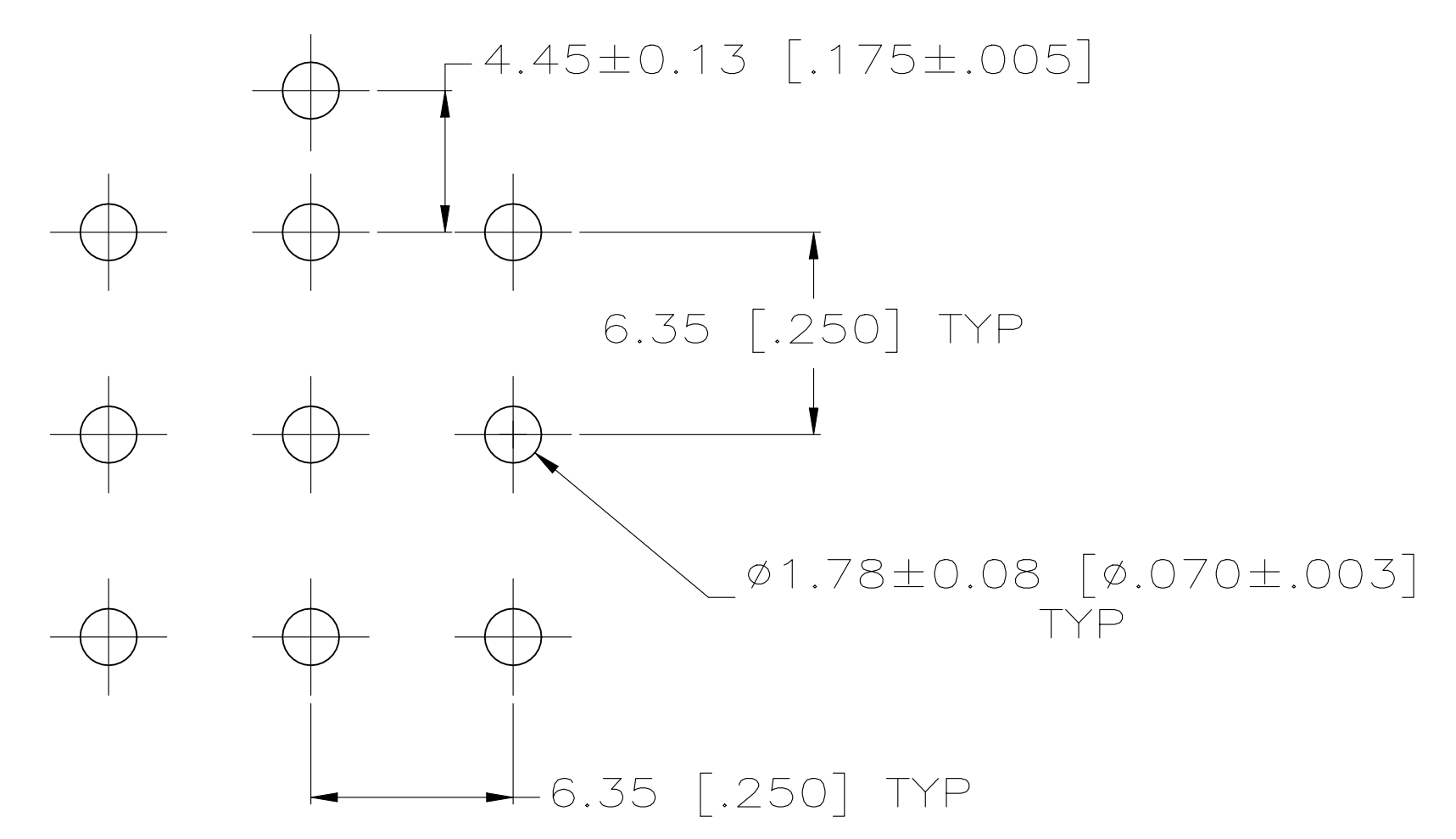


1. PARTS MUST COMPLY WITH AMP SOLDERABILITY SPEC 109-11-3.
2. CONTACT IS STAMPED FROM PRE-PLATED STOCK WHICH IS PLATED OVERALL WITH 0.00127 [.000050] NICKEL, THEN STRIPED WITH 0.00076 [.000030] GOLD IN CONTACT AREA INDICATED AND TIN-LEAD ON SOLDER TAIL END.
3. CIRCUIT IDENTIFICATION CHARACTERS ARE ADJACENT TO THE INDICATED CAVITIES, BUT LOCATION AND ORIENTATION MAY DIFFER FROM PRINT.
4. CONTACT IS PLATED OVERALL WITH 0.00127 [.000050] NICKEL, THEN 0.00076 [.000030] GOLD OVER CONTACT LENGTH INDICATED AND MATTE TIN ON SOLDER TAIL END.
5. DIMENSIONS SHOWN REPRESENT PRODUCT IN DRY CONDITION. ADDITIONAL 2% GROWTH DUE TO END USE LOCATION MOISTURE ABSORPTION MAY OCCUR AND SHOULD BE ACCOUNTED FOR.

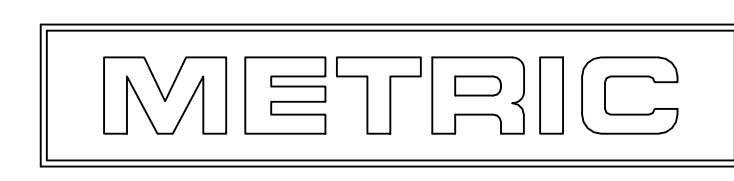


SECTION A-A
SCALE 12:1



RECOMMENDED LAYOUT FOR 1.58 [.062] THICK PC BOARD

PH BRZ GOLD Δ 4	NYLON, UL94V-2	641971-3
PH BRZ GOLD Δ 2	NYLON, UL94V-2	641971-2
PH BRZ TIN	NYLON, UL94V-2	641971-1
CONTACT	HOUSING	PART NO



THIS DRAWING IS A CONTROLLED DOCUMENT.		OWN: K. WHITAKER 14OCT2005	TE Connectivity
DIMENSIONS: mm [INCHES]		CHK: S. RIDGILL 14OCT2005	
TOLERANCES UNLESS OTHERWISE SPECIFIED:		APVD: S. RIDGILL 14OCT2005	NAME: HEADER ASSEMBLY, PIN, POLARIZED, UNIVERSAL MATE-N-LOK(TM), 9 CIRCUIT
0 PLC ±	1 PLC ±	2 PLC ±	APPLICATION SPEC: PRODUCT SPEC
3 PLC ±	4 PLC ±	ANGLES ±	SIZE: A1
MATERIAL: SEE CHART		FINISH:	WEIGHT: --
CUSTOMER DRAWING		SCALE: 5:1	RESTRICTED TO: M1