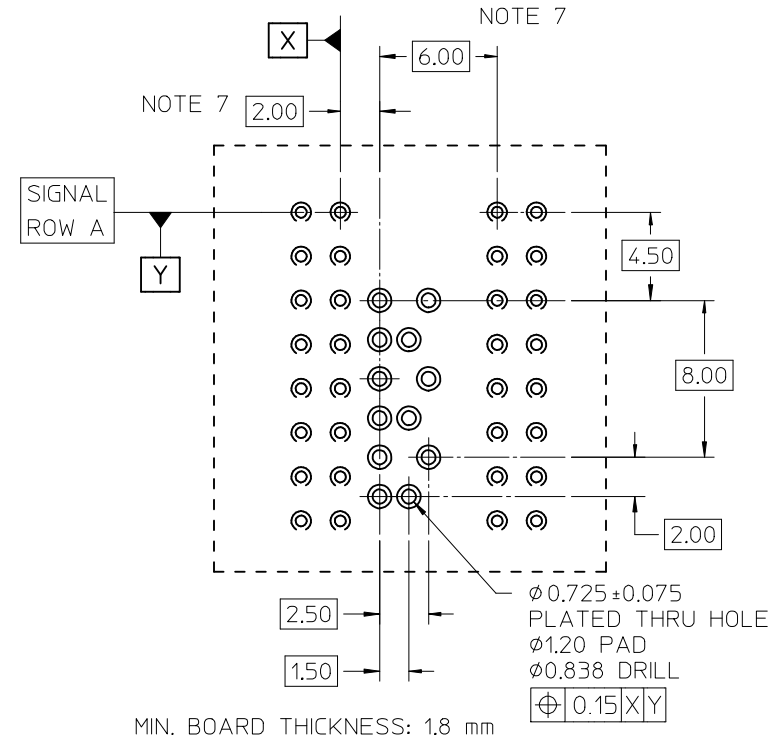
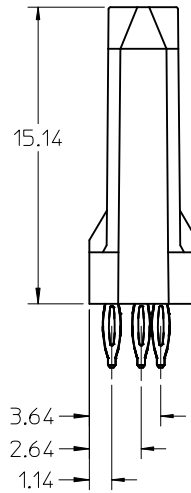
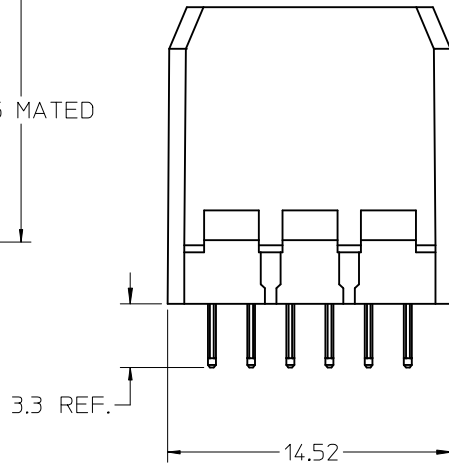
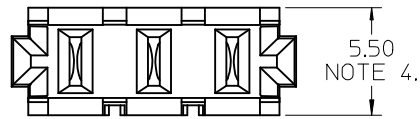
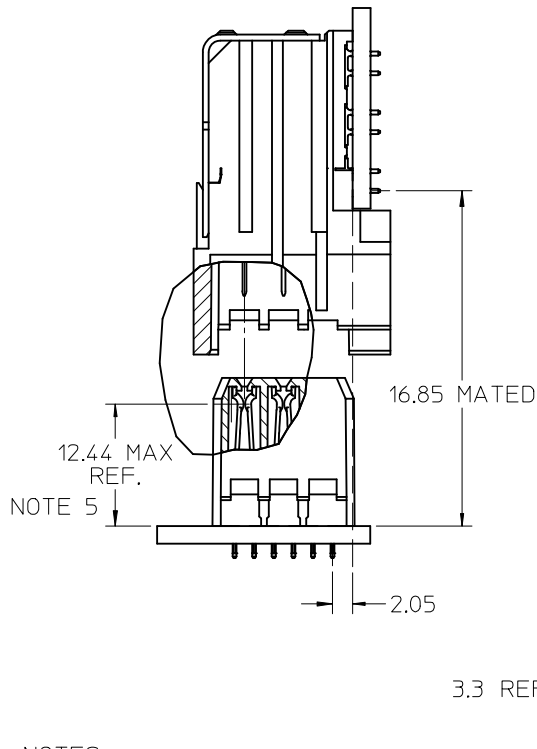


- NOTES:
- MATERIALS:
HOUSING - LIQUID CRYSTAL POLYMER (LCP)
UL94 V-0 RATED, COLOR: BLACK
TERMINAL - COPPER ALLOY
 - FINISH: 30 microINCH MIN GOLD ON MATING SURFACE;
MATTE TIN ON TAILS; NICKEL OVERALL.
 - THIS PART CONFORMS TO PRODUCT SPECIFICATION
PS-74031-999.
 - USE 6.00 mm NOMINAL FOR BACKPLANE LAYOUT.
 - DIMENSION MEASURED FROM BOTTOM OF HOUSING.
 - PACKED PER PK-70873-0876.
 - THIS DIMENSION TO BE MULTIPLE OF 2.00 mm AS REQUIRED.

ADD TOLERANCE EC NO: UCP2013-2933 DRAWN/RWH/PPLE 2013/01/16 CHKD:MMOLFE 2013/01/16 APPR:SMILLER 2013/01/21	DESCRIPTION	QUALITY SYMBOLS	GENERAL TOLERANCES (UNLESS SPECIFIED)	DIMENSION STYLE	SCALE	DESIGN UNITS	THIRD ANGLE PROJECTION
		$\nabla=0$ $\nabla=0$ $\nabla=0$	mm INCH	MM ONLY	4:1	METRIC	
B	REV		4 PLACES ± --- ± ---	DRAWN BY	DATE	TITLE VHDM/HSD LEADFREE POWER 8 ROW BACKPLANE SALES ASSEMBLY	
			3 PLACES ± --- ± ---	JJONIAK	2006/01/05		
			2 PLACES ± 0.25 ± ---	CHECKED BY	DATE	DOCUMENT NO. SD-74029-089	
			1 PLACE ± 0.38 ± ---	JBINGHAM	2001/10/05		
			0 PLACE ± ±	APPROVED BY	DATE	SHEET NO. 1 OF 1	
				BIXLER	2001/10/05		
			ANGULAR ± --- °	MATERIAL NO.	THIS DRAWING CONTAINS INFORMATION THAT IS PROPRIETARY TO MOLEX INCORPORATED AND SHOULD NOT BE USED WITHOUT WRITTEN PERMISSION		
			DRAFT WHERE APPLICABLE MUST REMAIN WITHIN DIMENSIONS	74029-8999			
				SIZE B			



- NOTES:
- MATERIALS:
HOUSING - LIQUID CRYSTAL POLYMER (LCP)
UL94 V-0 RATED, COLOR: BLACK
TERMINAL - COPPER ALLOY
 - FINISH: 30 microINCH MIN GOLD ON MATING SURFACE;
MATTE TIN ON TAILS; NICKEL OVERALL.
 - THIS PART CONFORMS TO PRODUCT SPECIFICATION
PS-74031-999.
 - USE 6.00 mm NOMINAL FOR BACKPLANE LAYOUT.
 - DIMENSION MEASURED FROM BOTTOM OF HOUSING.
 - PACKED PER PK-70873-0876.
 - THIS DIMENSION TO BE MULTIPLE OF 2.00 mm AS REQUIRED.

ADD TOLERANCE EC NO: UCP2013-2933 DRAWN/RWH/PPLE 2013/01/16 CHKD:MMOLFE 2013/01/16 APPR:SMILLER 2013/01/21	DESCRIPTION	QUALITY SYMBOLS	GENERAL TOLERANCES (UNLESS SPECIFIED)	DIMENSION STYLE	SCALE	DESIGN UNITS	THIRD ANGLE PROJECTION
		$\nabla = 0$ $\nabla = 0$ $\nabla = 0$	mm INCH	MM ONLY	4:1	METRIC	
B	REV	4 PLACES	\pm --- \pm ---	DRAWN BY	DATE	TITLE VHDM/HSD LEADFREE POWER 8 ROW BACKPLANE SALES ASSEMBLY	
		3 PLACES	\pm --- \pm ---	JJONIAK	2006/01/05		
		2 PLACES	± 0.25 \pm ---	CHECKED BY	DATE	DOCUMENT NO. SD-74029-089	
		1 PLACE	± 0.38 \pm ---	JBINGHAM	2001/10/05		
		0 PLACE	\pm \pm	APPROVED BY	DATE	SHEET NO. 1 OF 1	
				BIXLER	2001/10/05		
			ANGULAR \pm --- $^\circ$	MATERIAL NO.	THIS DRAWING CONTAINS INFORMATION THAT IS PROPRIETARY TO MOLEX INCORPORATED AND SHOULD NOT BE USED WITHOUT WRITTEN PERMISSION		
			DRAFT WHERE APPLICABLE MUST REMAIN WITHIN DIMENSIONS	74029-8999			
				SIZE B			