

MATERIALS AND FINISHES:

SMA JACK BULKHEAD CONNECTOR:

BODY, CRIMP TUBE, JAM NUT: BRASS
PLATED GOLD

CENTER CONTACT: BERYLLIUM COPPER
PLATED GOLD

INSULATOR: PTFE

LOCK WASHER: PHOSPHOR BRONZE
PLATED GOLD

MHF® I LK CONNECTOR

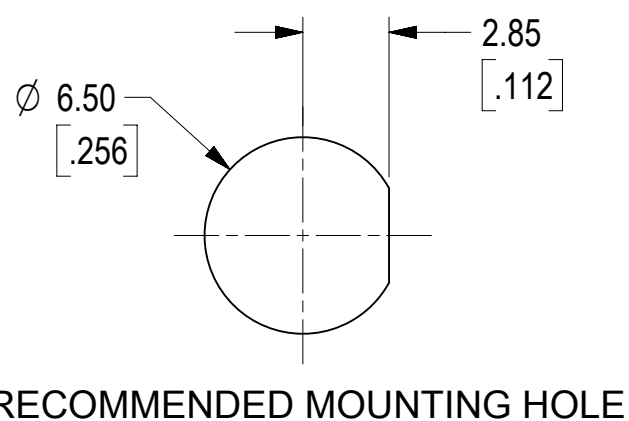
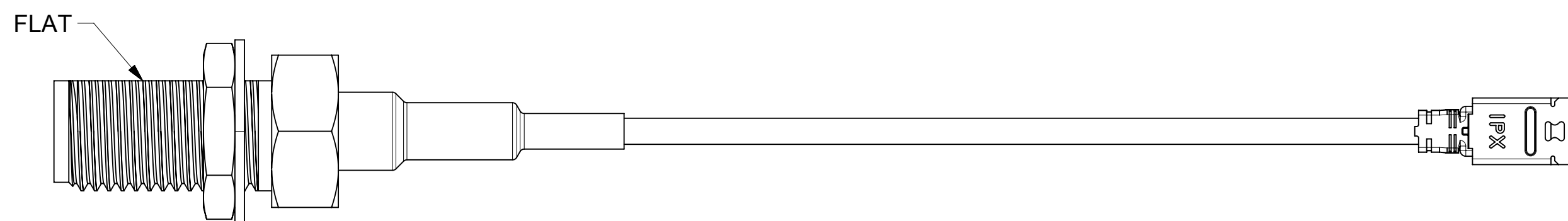
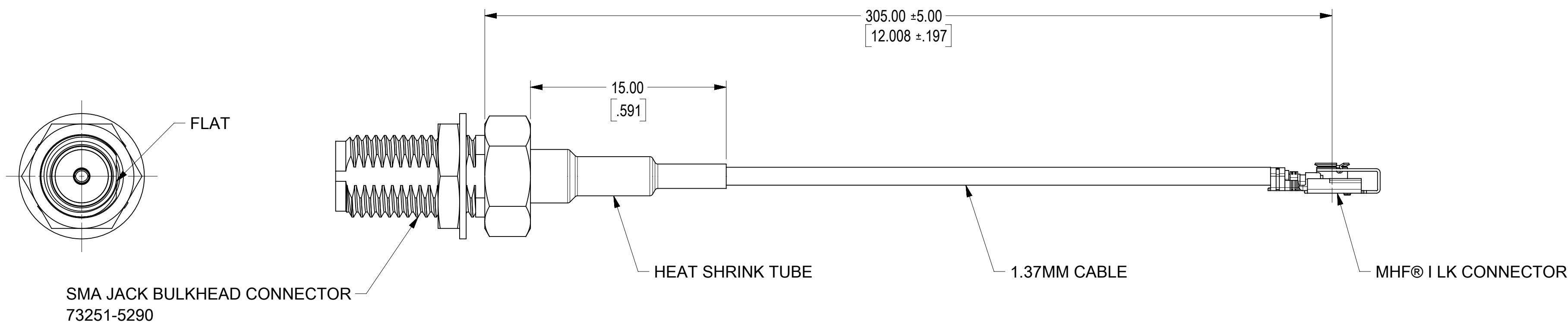
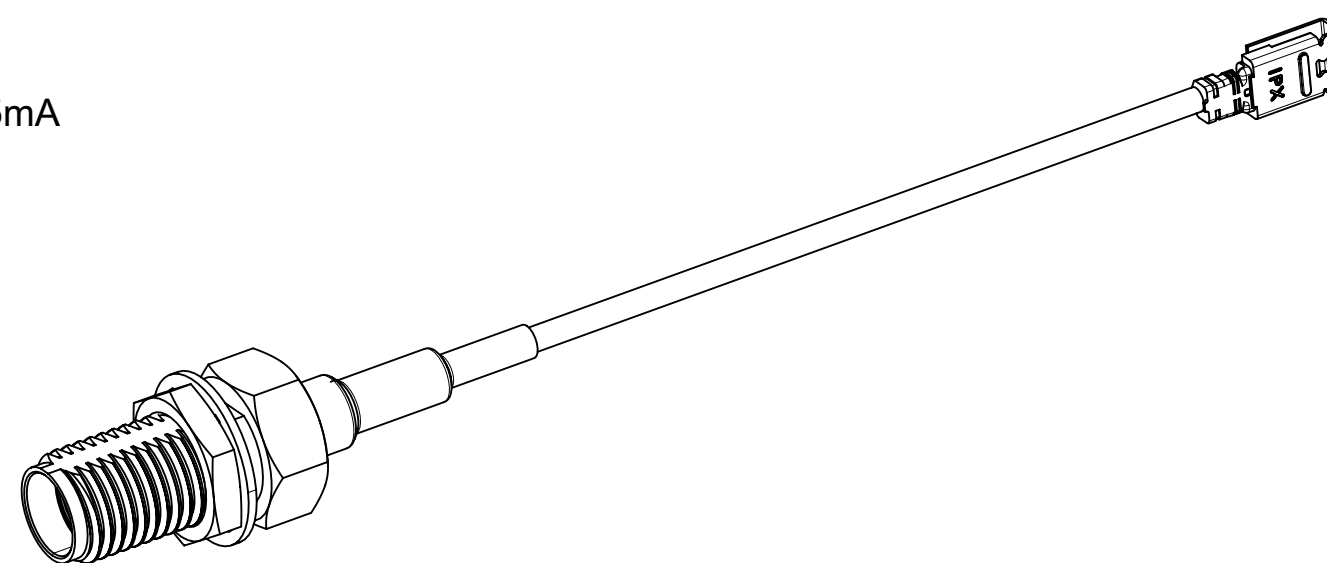
CABLE: 1.37MM CABLE

HEAT SHRINK TUBE: PE

PERFORMANCE REQUIREMENTS

FREQUENCY RANGE: 0~6GHz
IMPEDANCE: 50 Ω
WITHSTAND VOLTAGE(AC): 350V @0.5mA
CONTINUITY: 100% TEST

PACKAGING BY PLASTIC BAG



RECOMMENDED MOUNTING HOLE

PART # 73230-6120

FUNCTIONAL SYMBOLS	THIS DRAWING CONTAINS INFORMATION THAT IS PROPRIETARY TO MOLEX ELECTRONIC TECHNOLOGIES, LLC AND SHOULD NOT BE USED WITHOUT WRITTEN PERMISSION		
	DIMENSION UNITS	SCALE	CURRENT REV DESC:
$\nabla_A = 0$	MM/INCH	4:1	EC NO: 721426 DRWN: YHUANG11 2022/07/11 CHK'D: MYLU07 2022/09/19 APPR: LCHEN03 2022/09/22
$\nabla_C = 0$	GENERAL TOLERANCES (UNLESS SPECIFIED)		
$\nabla_P = 0$	ANGULAR TOL	± °	INITIAL REVISION: DRWN: YHUANG11 2022/07/11 APPR: LCHEN03 2022/09/22
DIVISIONAL SYMBOLS	4 PLACES	±	
	3 PLACES	±	DOCUMENT NUMBER 732306120
	2 PLACES	±	
	1 PLACE	±	DOC PART 000
	0 PLACES	±	REVISION A
DRAFT WHERE APPLICABLE MUST REMAIN WITHIN DIMENSIONS	THIRD ANGLE PROJECTION	DRAWING C-SIZE	SHEET NUMBER 1 OF 1
	SERIES 73230	MATERIAL NUMBER 73230-6120	CUSTOMER GENERAL MARKET

molex

CA, SMA JACK BULKHEAD TO MHF® ? LK
WITH DIA 1.37MM CABLE,50 OHMS,EWR#: 15299-A

PRODUCT CUSTOMER DRAWING