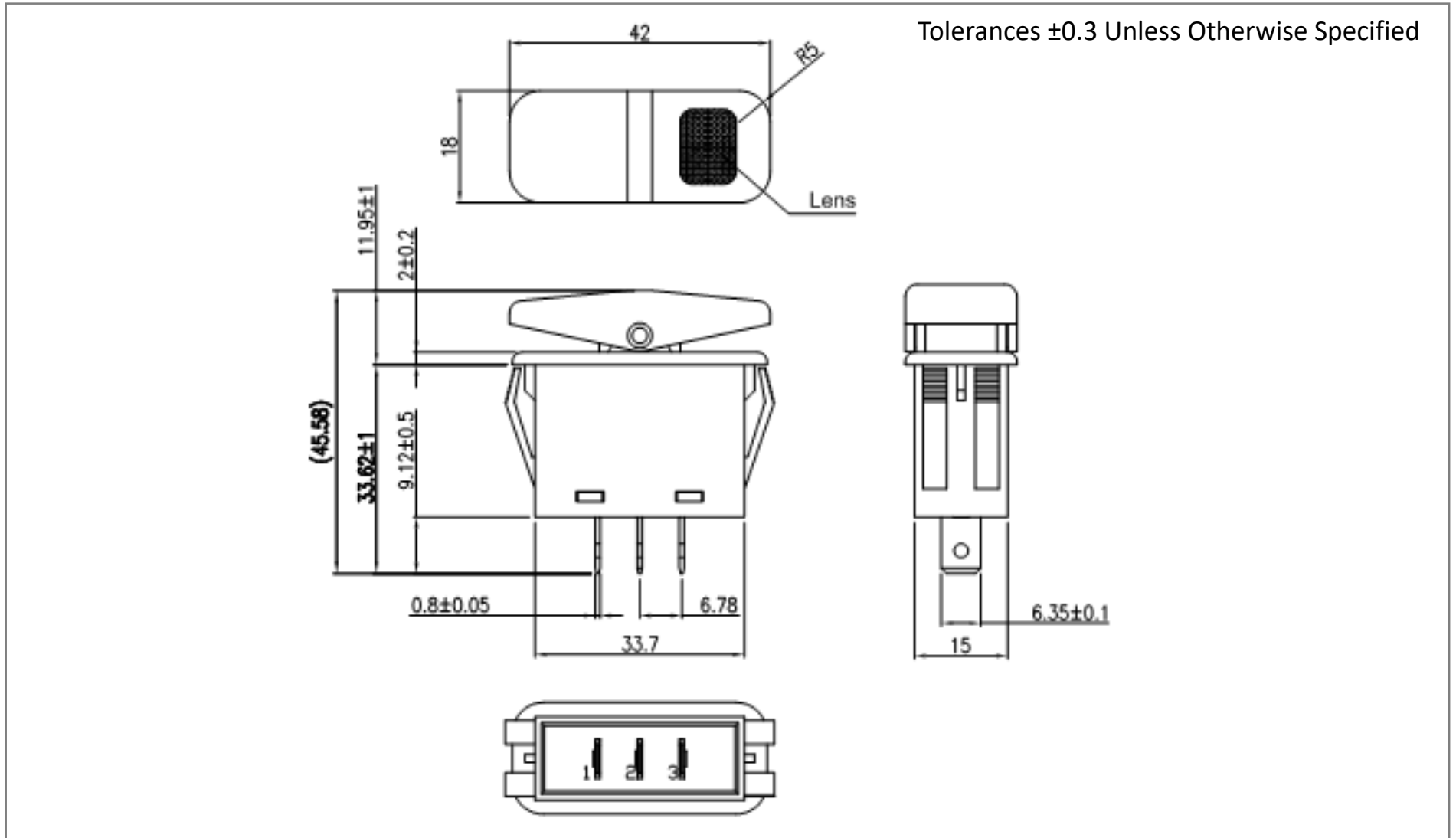
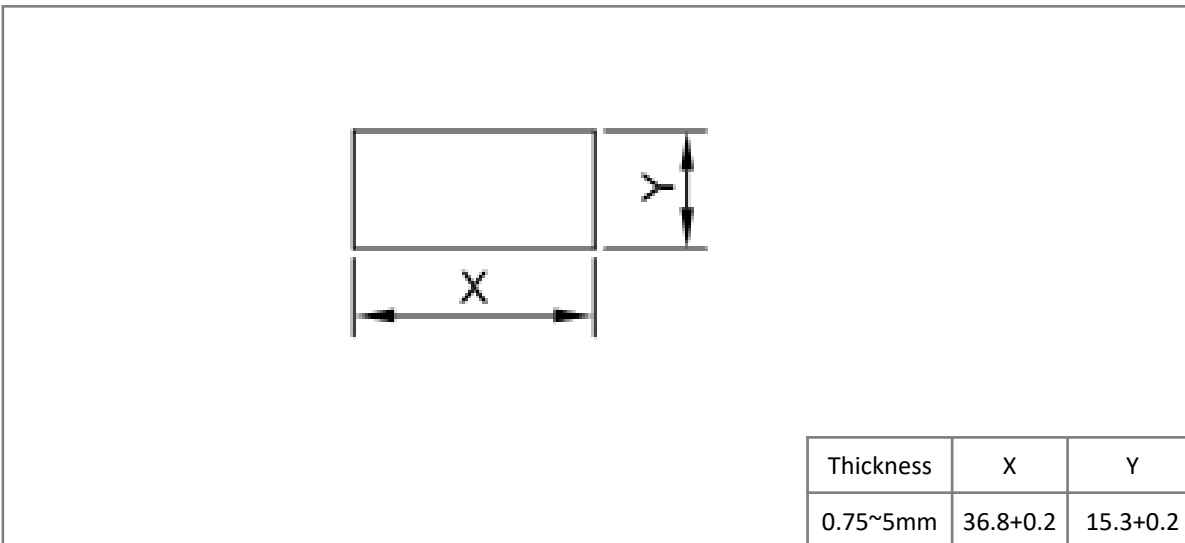


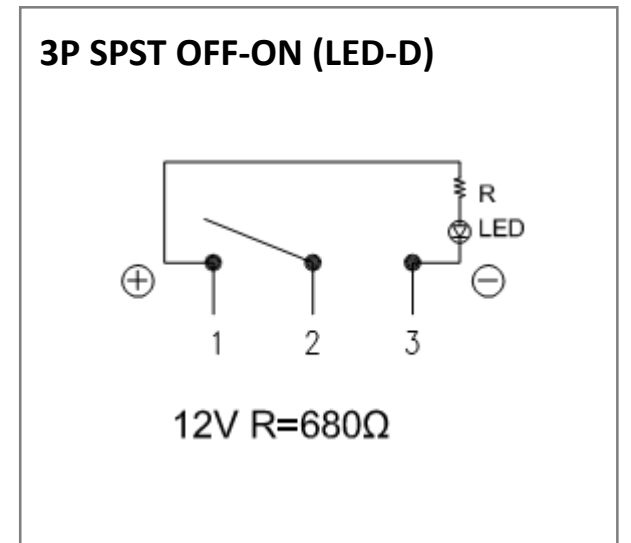
Mechanical Dimensions (mm)



Mounting Hole



Circuit Diagram



Electrical Specifications

Rating	21A 14V DC
Contact Resistance	50m ohm Max.
Insulation Resistance	DC 500V 100M ohm Min.
Dielectric Strength	AC 1500V 1 minute
Operation Temperature	-20 $^{\circ}$ C~85 $^{\circ}$ C

Material Specifications

Frame	Black, Nylon 66
Actuator	Black, Nylon 66+33%GF
LED	Red, Dependent
Lens	Red, PC
Waterproof	IP56