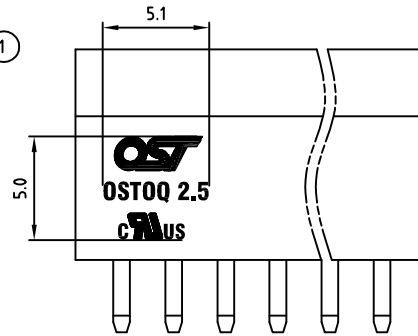
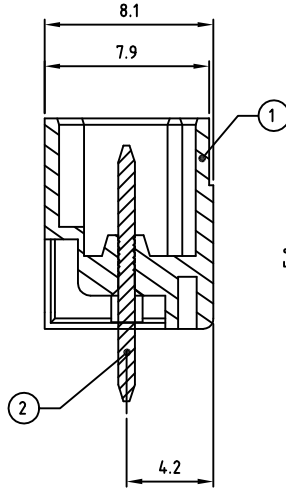
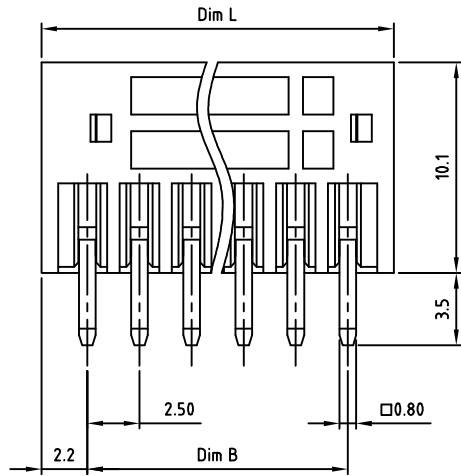
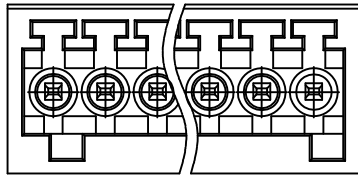


Transfer or duplication of this document as well as the utilisation or communication of its content are not permitted unless express consent is granted. Violations give rise to claims for damages. All rights reserved in case of patent, utility model or design patent registrations.



Technical data

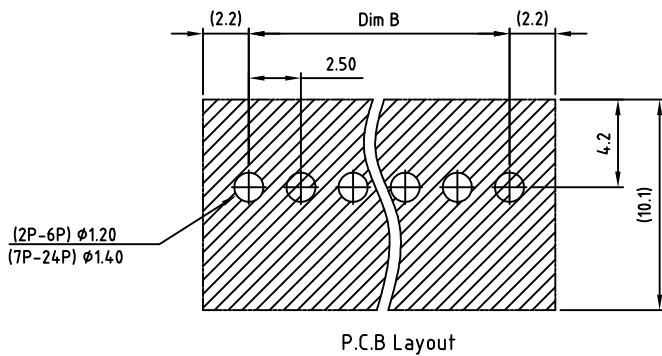
- 1.Nominal voltage: 150V/4A
PITCH:2.5mm
- 2.Insulation Withstanding Voltage:
AC1300V/MIN
- 3.Insulation Resistance:
1000MΩ or more at DC500V
- 4.Operating temperature range:-40°C~115°C
- 5.Soldering temperature range:250°C±10°C/5sec
- 6.Safety approval:
- 7.RoHS Compliance
- 8.Undimensioned Tolerances:

| | | |
|---------------------|-------|-------|
| Dim.L=(P-1)x2.5+4.4 | | |
| Dim.B=(P-1)x2.5 | | |
| P= number of poles | | |
| | Dim B | Dim L |
| 0-30mm | ±0.15 | ±0.20 |
| over 30mm-60mm | ±0.20 | ±0.25 |
| over 60mm-90mm | ±0.25 | ±0.30 |
| over 90mm | ±0.30 | ±0.40 |

Part No.:

OSTOQXXB150

| | |
|--|---------------------|
| No. of Poles | COLOR |
| 02 2 Poles | 0: Black |
| 03 3 Poles | 2: Red |
| ... | 3: Orange |
| 24 24 Poles | 4: Yellow |
| | 5: Green (Standard) |
| | 6: Blue |
| | 8: Grey |
| Nonstandard colors Mins could apply | |



| | | | | |
|------|--------------|-----------------|---------------------------|---------------|
| 2 | PIN | BRASS | TIN PLATED | P |
| 1 | BODY | PA66 UL94V-0 | | 1 |
| ITEM | NAME OF PART | MATERIAL | NOTES | Q"TY |
| DWG | WF. Zhang | DATE 2017.08.08 | UNITS: MM | SHEET: 1 OF 1 |
| CHK | WF. Zhang | DATE 2017.08.08 | SCALE: NONE 4:1 (:) | REV: A |
| APP | | DATE | TITLE: OSTOQ 2.50 Series | X. ±0.50 |
| | | | Close type Vertical(180D) | X.XX ±0.30 |
| | | | PART NO. OSTOQXXB150 | X* ±1° |
| | | | DWG NO. OSTOQXXB150.dwg | |

| | | | |
|------|-------------|------|------|
| | | | |
| SIGN | DESCRIPTION | CHK. | DATE |



ON-SHORE TECHNOLOGY, INC.