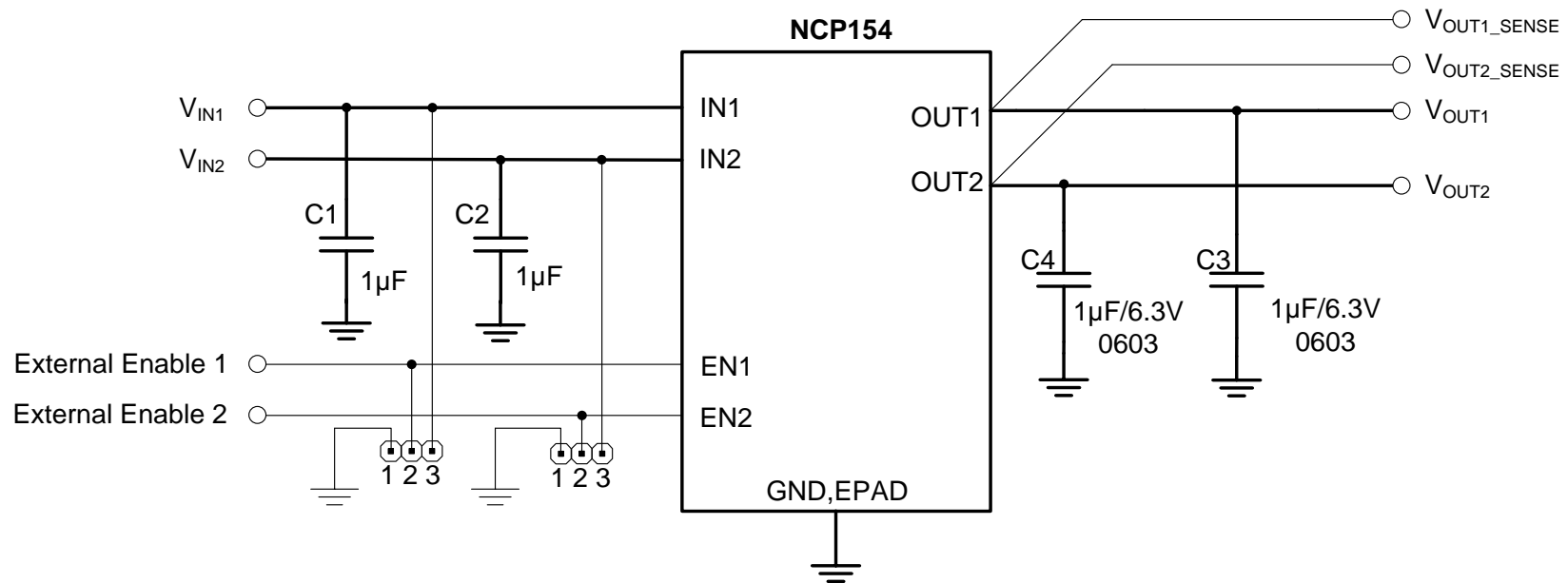




## Schematic for the NCP154MXTAGEVB Evaluation Board



### JP positions:

- 2-- -->EXTERNAL ENABLE pin is select
- 2 – 3 ->LDO is **ENABLED**
- 2 – 1-> LDO is **DISABLED**

The NCP154 is dual 300mA high performance LDO with low quiescent current and high PSRR. The NCP154 also offers enable pin for each output and separate input pin for the maximum power flexibility.