

Recommended PCB Layout
(Top View)

Material and Finish

Shell: Steel, Nickel plated
 Insulator: PBT thermoplastic with glass-fiber reinforcement, UL94V-0 rated
 Color: Black

Contact Material:
 Socket - Brass

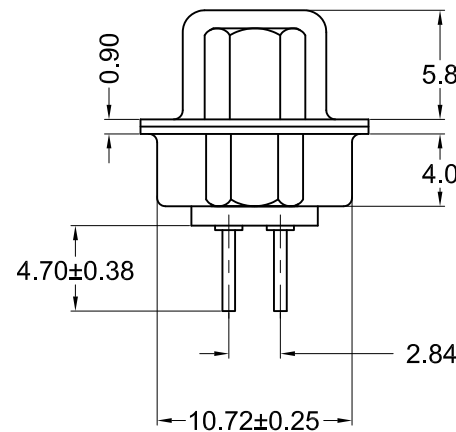
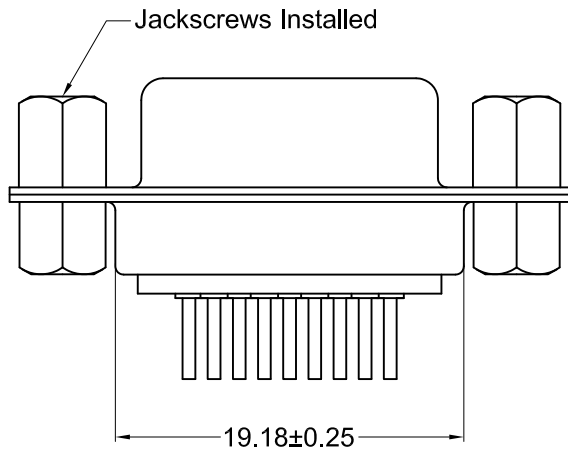
Contact Plating Options:
 Standard: gold flash on mating end, tin on termination end, nickel underplate on entire contact

15 Option: 15u" gold on mating end, tin on termination end, nickel underplate on entire contact

30 Option: 30u" gold on mating end, tin on termination end, nickel underplate on entire contact

Electrical Specifications

Rated Current: 2A
 Rated Voltage: 30V RMS
 Insulation Resistance: more than 1000 megohms at 500V DC
 Contact Resistance: 13 milliohms max.
 Dielectric Withstanding Voltage: 1000V for 1 minute
 Operating Temperature: -55°C to +105°C



Ordering Information	
Part Number	Contact Area Plating Finish
K85X-ED-9S-KJ	Gold Flash (standard)
K85X-ED-9S-KJ15	15u" Gold (15 option)
K85X-ED-9S-KJ30	30u" Gold (30 option)



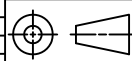
Tolerances
X.X ± 0.25
X.XX ± 0.15
Unless Stated Otherwise

REV.	DATE	DESCRIPTION	REV. BY	CHK. BY	DRAWN BY	DATE
A1	09/02/09	New Drawing	S. Vien	H. MA		
A2	12/31/17	ECO #17-030	G. Serrato	C. Furumasu	S. Vien	09/01/09

K85X-ED-9S-KJ

D-Sub, Vertical, RoHS Compliant

9 Pin Female, Jackscrews Installed



UNITS
mm