

1

2

3

4

5

6

7

A

B

C

D

E

F

G

H

A

B

C

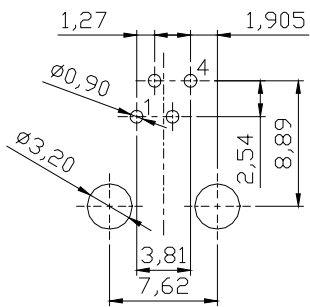
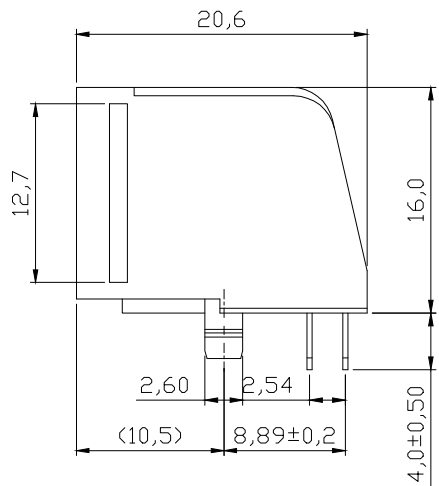
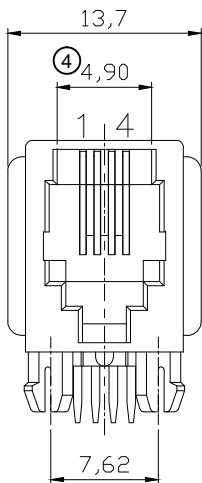
D

E

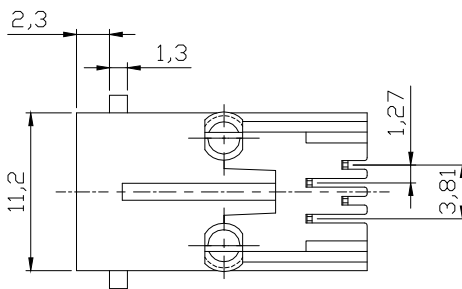
F

G

H



PC Board Layout  
Component Side Shown



NOTES:

Mechanical:

- 1. Housing material : Glass Filled Polyester UL94V-0 , Color: Black
- 2. Contact material: Phosphor Bronze t=0.35mm
- ③ 3. Contact plating: 6u" Gold on contact area  
100~200u" Tin on solder area  
all over 30~50u" Nickel
- 4. Operating Life: 750 Cycles min.
- 5. PCB Retention Pre-solder: 1 LB min.
- 6. PCB Retention Post-solder: 10 LBS min.

Electrical:

- 1. Voltage Rating: 125VAC.
- 2. Current Rating: 1.5AMP.
- 3. Contact Resistance: 50mΩ max.
- 4. Insulation Resistance: 500MΩ min. @ 1000 VDC
- 5. Dielectric Strength: 1000 VAC RMS 60Hz, 1 min.

Environmental:

- 1. Storage: -40°C To +85°C
- 2. Operation: -40°C~+85°C
- ② 3. Wave Soldering Temp: 200~220°C(5~10S)
- ② Packing: 120pcs/Tray, 2640pcs/Carton

RoHS compliant  
Unit:mm



File No.: E345352

Scale	Free				Date	Name	Customer-No.
TOLERANCE					Drawn	08.07.2009	Dean
X.X	±0.20						
X.XX	±0.15	④	Update dimension 6.70 to 4.90	12.11.2021	Luca	Approved	12.11.2021
X.XXX	±0.10	③	Update the contact plating	25.08.2015	Amy		
DIM	TOL	②	Update	27.05.2013	Amy		
		①	Drawn	08.07.2009	Dean		
Angle	±5°	Id.	Modification	Date	Name		

Customer-No.			
ASSMANN WSW-No.		A-20040	
Drawing-No.		ASS 0447 CO	rev04
Replace		SHEET	

1

2

3

4

5

6

7