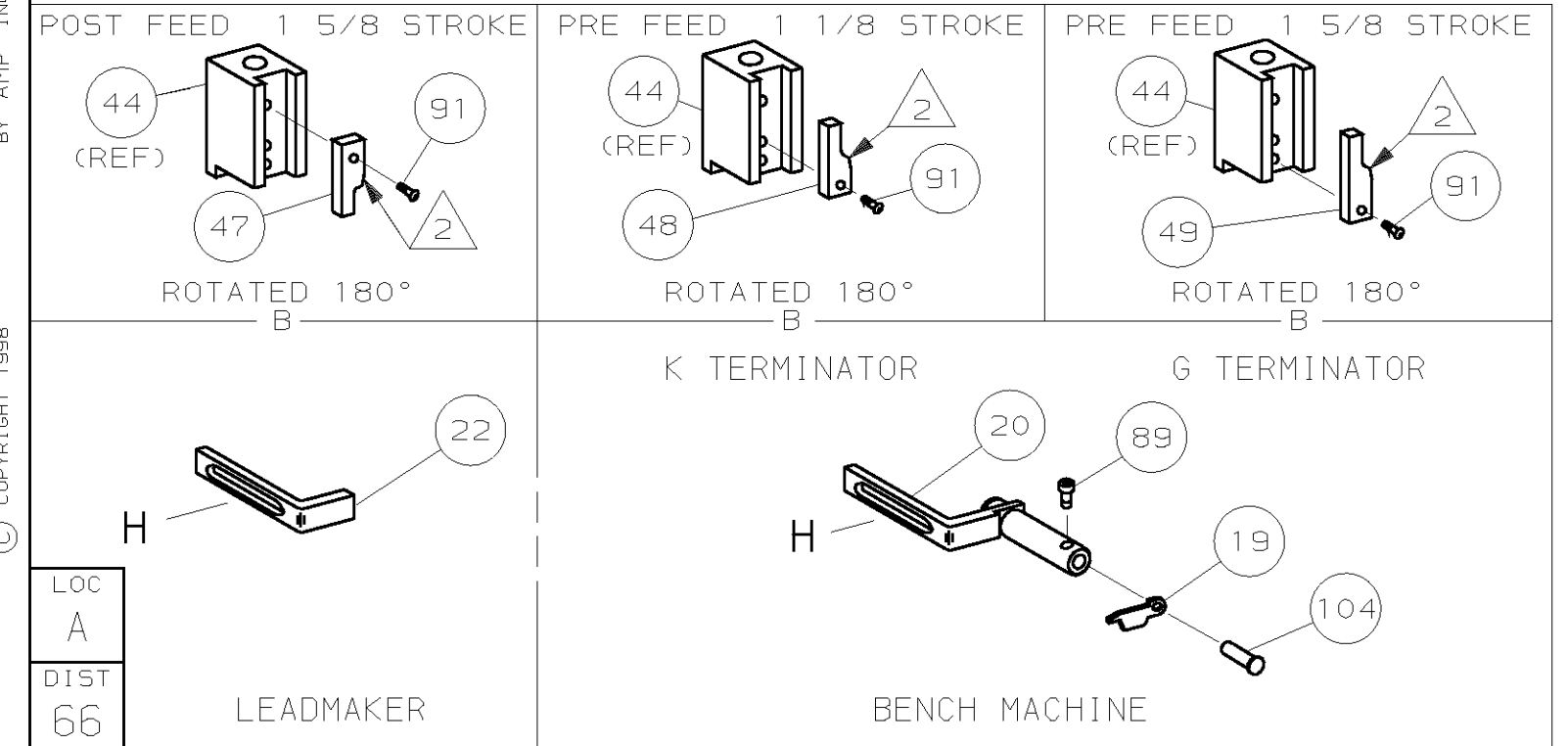
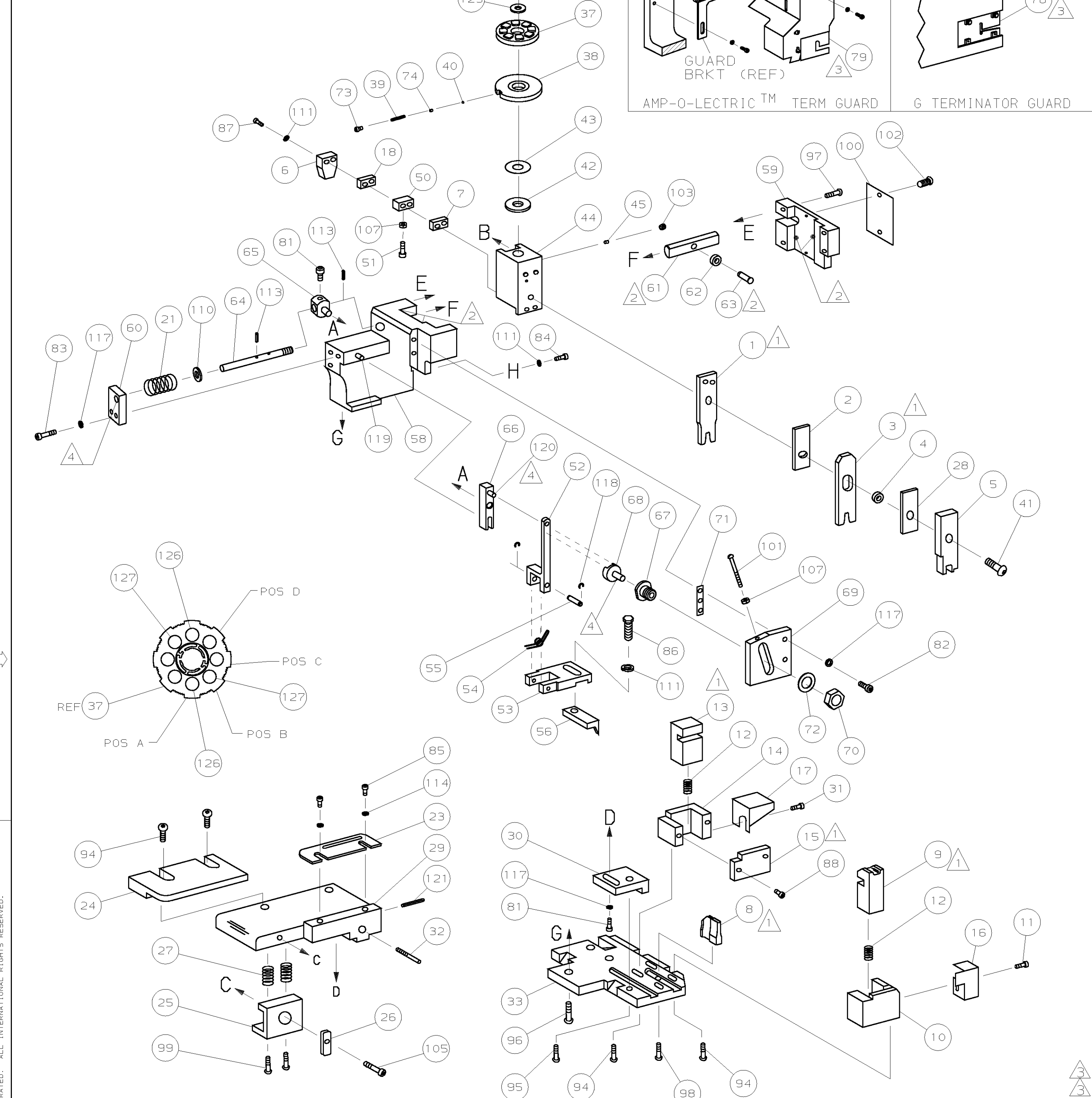


PART NUMBER	REV	FIRST USED
680601-1	C	122500-1
680601-2	C	565435-5
680601-3	C	354500-1



- 1 RECOMMENDED SPARE PARTS.
- 2 GREASE LIGHTLY.
- 3 GUARD MUST BE IN PLACE WHEN OPERATING APPLICATOR IN A BENCH MACHINE.
- 4 LUBRICATE DAILY USING NO. 20 MACHINE OIL.

TERMINAL NAME: INTERLOCK				(NON-AMP TERMINAL-AMP SPEC)			
AMP P/N	MFG P/N	CRIMPING DATA		WIRE SIZE	USED	TYPE	RANGE
286697	J61027-42	PAD LTR		A	.092 ± .002 [2.34 ± 0.05mm]	10	
				B	.076 ± .002 [1.93 ± 0.05mm]	12	
				C	NOT		
				D	NOT		
WIRE STRIP LENGTH	TERM APPL SPEC	FEED	APPL INSTRUCTION	SET UP GAGE	LAYOUT		
.203-.234	NONE	.880	408-8040	458637-1	L2050		

QTY	REQD	PER	ASSY	U/M	DWG	SIZE	PART NO	DESCRIPTION	ITEM
1	1	1							129
1	1	1							128
2	2	2					8-354778-6	PIN, WIRE DISC (.2925)B	127
2	2	2					5-354778-4	PIN, WIRE DISC (.2765)A	126
1	1	1					986950-1	WASHER, FLAT PRECISION	125
1	1	1					217238-1	GENERAL INSTRUCTION PACKAGE	124
1	1	1					4088040	SF APPL INST 408-8040	123
									122
1	1	1					4-21028-0	PIN, SLT SPR (ø.093x.75) ST 6DE PL	121
1	1	1					1-21030-1	PIN, DOWEL (ø.187x.50) LEVER	120
1	1	1					1-21030-6	PIN, DOWEL (ø.187x1.25) HOUSING	119
2	2	2					21045-3	RING, RET "C" (ø.187) FD FING PIN	118
5	5	5					21024-5	WASHER, LOCK (#10) ADJ BLOCK	117
									116
									115
2	2	2					21024-2	WASHER, LOCK (#4) FRONT STP GUIDE	114
2	2	2					5-21028-1	PIN, SLT SPR (ø.125x.50) ADJ ROD	113
									112
4	4	4					21024-4	WASHER, LOCK (#8) STRIPPER	111
1	1	1					21899-4	WASHER, FLAT (ø5/16) SCREW ADJ	110
									109
									108
1	2	2					21018-5	NUT, HEX (6-32) FEED ADJ	107
									106
1	1	1					22353-8	SCR, SHLD (ø.187x.25) DRAG LEVER	105
1	1	1					992031-1	PIN, CLEVIS	104
1	1	1					21009-2	SCR, SKT SET (1/4-20x.25 LW) RAM	103
2	2	2					21017-2	SCR, DRIVE (#2x.19) ID PLATE	102
1	1	1					6-23715-5	SCR, PAN HD (6-32x1.50) FEED ADJ	101
1	1	1					461264-1	PLATE, IDENTIFICATION	100
2	2	2					3-21002-0	SCR, BHC (10-32x.88) DRAG	99
1	1	1					22733-8	SCR, BHC (8-32x.38 LW) ANVIL	98
2	2	2					2-21002-9	SCR, BHC (10-32x.75) CAP	97
3	3	3					2-22733-8	SCR, BHC (1/4-20x.62) HOUSING	96
1	1	1					2-21002-7	SCR, BHC (10-32x.50) 5G ADJ BLOCK	95
6	6	6					2-21002-2	SCR, BHC (8-32x.50) TERM H DWN	94
									93
									92
1	1	1					1-21002-7	SCR, BHC (6-32x.38) CAM	91
									90
1	1	1					7-21000-9	SCR, SHC (4-40x.19) STRIPPER	89
2	2	2					1-21000-8	SCR, SHC (6-32x.25) R SHEAR PLATE	88
2	2	2					8-21002-9	SCR, BHC (8-32x1.00) DEP-HOLD	87
1	1	1					2-22603-0	SCR, HEX HD (8-32x.31) FEED FINGER	86
2	2	2					1-21000-3	SCR, SHC (4-40x.25) F ST GUIDE	85
1	1	1					2-21000-7	SCR, SHC (8-32x.50) STRIPPER	84
2	2	2					3-21000-7	SCR, SHC (10-32x.75) FEED ROD GD	83
2	2	2					3-21000-6	SCR, SHC (10-32x.62) FEED ADJ BLK	82
2	2	2					3-21000-4	SCR, SHC (10-32x.38) 5G ADJ BL	81
									80
-	REF	-					455749-1	GUARD, WINDOW	79
REF	-	-					679532-1	INSERT, GUARD	78
									77
									76
									75
1	1	1					690603-1	SPRING, ASSIST	74
1	1	1					23030-1	SCR, SHC (6-32x.25 SL) INS DISC	73
1	1	1					458109-1	WASHER, SPECIAL	72
1	1	1					690517-1	SPACER	71
-3	-2	-1	U/M	DWG	SIZE	PART NO	DESCRIPTION	ITEM	

REV	LEADMAKER	MECH POST FEED	MECH PRE FEED	ITEM					
-1									
-2	BENCH MODEL K	MECH PRE FEED							
-3	BENCH MODEL G	MECH PRE FEED							
1	1	1	B	22594-8 NUT, HEX (1/2-20) 70					
1	1	1	B	240628-1 PLATE, ADJUSTMENT 69					
1	1	1	B	240626-1 SHAFT, PIVOT 68					
1	1	1	B	240633-1 BUSHING 67					
1	1	1	A	455680-1 LEVER, INTERMEDIATE 66					
1	1	1	B	240629-1 BLOCK, PIVOT 65					
1	1	1	A	240632-2 SCREW, ADJ FEED ROD 64					
1	1	1	B	240659-3 PIN, CAM ROLLER 63					
1	1	1	B	240658-1 ROLLER, CAM 62					
1	1	1	B	454398-2 ROD, FEED 61					
1	1	1	A	454178-1 GUIDE, FEED ROD 60					
1	1	1	C	454220-1 CAP, RAM 59					
1	1	1	D	454485-1 HOUSING 58					
				57					
1	1	1	B	458537-2 PAWL, FEED 56					
1	1	1	B	240624-1 PIN, FEED FINGER 55					
1	1	1	B	691499-1 SPRING, FEED FINGER 54					
1	1	1	A	690541-1 HOLDER, FEED FINGER 53					
1	1	1	B	455679-1 LEVER, TERMINAL FEED ARM 52					
1	1	1	A	811242-2 BUMPER, HOLDDOWN 51					
1	1	1	A	690753-1 SPACER, TONKER 50					
1	-	-	B	690602-6 CAM, PRE-FEED 1 5/8 ST 49					
-	1	-	B	690602-5 CAM, PRE-FEED 1 1/8 ST 48					
-	-	1	B	690501-4 CAM, POST-FEED 1 5/8 ST 47					
				46					
1	1	1	A	690191-1 PLUG, NYLON 45					
1	1	1	C	455673-1 RAM 44					
1	1	1	A	690125-1 WASHER, LAMINATED 43					
1	1	1	A	690124-1 WASHER, RAM 42					
1	1	1	A	690686-1 BOLT, CRIMPER (5/16x1.00) 41					
1	1	1	A	23241-6 BALL, STEEL 40					
1	1	1	A	690170-1 SPRING, COMPRESSION 39					
1	1	1	C	690142-1 DISC, INSULATION 38					
1	1	1	D	354777-1 WIRE DISC, PLASTIC 37					
1	1	1	A	22480-5 WASHER, SPRING 36					
1	1	1	B	690212-1 POST, RAM 35					
				34					
1	1	1	D	455675-9 PLATE, BASE 33					
1	1	1	A	690432-3 SCREW, ADJUSTMENT 32					
1	1	1	B	690461-1 STOP, SHEAR 31					
1	1	1	B	455689-1 BLOCK, STRIP GUIDE ADJ 30					
1	1	1	C	458144-1 PLATE, STRIP GUIDE 29					
1	1	1	C	2-455888-1 SPACER, FRONT SHEAR DEP 28					
2	2	2	A	1-22284-0 SPRING, DRAG 27					
1	1	1	B	240793-1 LEVER, DRAG RELEASE 26					
1	1	1	B	240792-1 DRAG, TERMINAL 25					
1	1	1	D	5-690504-8 GUIDE, STRIP (REAR) 24					
1	1	1	A	693855-2 GUIDE, STRIP (FRONT) 23					
-	-	1	B	690472-2 STRIPPER 22					
1	1	1	A	4-22284-9 SPRING, FEED RETURN 21					
1	1	1	A	679218-1 STRIPPER WIRE STOP ASSY 20					
1	1	1	B	458949-1 STRIPPER 19					
1	1	1	C	3-240641-7 SPACER, DEPRESSOR (REAR) 18					
1	1	1	A	691668-1 GUARD, CHIP (REAR) 17					
1	1	1	B	318563-1 GUARD, CHIP, FRONT 16					
1	1	1	B	459164-1 PLATE, SHEAR (REAR) 15					
1	1	1	B	690462-1 HOLDER, SHEAR (REAR) 14					
1	1	1	C	690463-1 SHEAR, FLOAT (REAR) 13					
2	2	2	A	5-22280-0 SPRING, SHEAR 12					
1	1	1	B	690461-2 STOP, SHEAR 11					
1	1	1	C	1-690459-0 HOLDER, SHEAR (FRONT) 10					
1	1	1	C	454276-5 SHEAR, FLOAT (FRONT) 9					
1	1	1	C	1-662520-9 ANVIL 8					
1	1	1	C	1-240641-8 SPACER, DEPRESSOR (REAR) 7					
1	1	1	A	690468-2 DEPRESSOR, SHEAR (REAR) 6					
1	1	1	C	1-455889-8 DEPRESSOR, SHEAR (FRONT) 5					
1	1	1	B	1-238011-0 SPACER, BLOCK CRIMPER 4					
1	1	1	C	3-456134-1 CRIMPER, INSULATION 3					
1	1	1	C	455888-6 SPACER, CRIMPER 2					
1	1	1	C	456411-3 CRIMPER, WIRE 1					
-3	-2	-1	U/M	DWG	SIZE	PART NO	DESCRIPTION	ITEM	