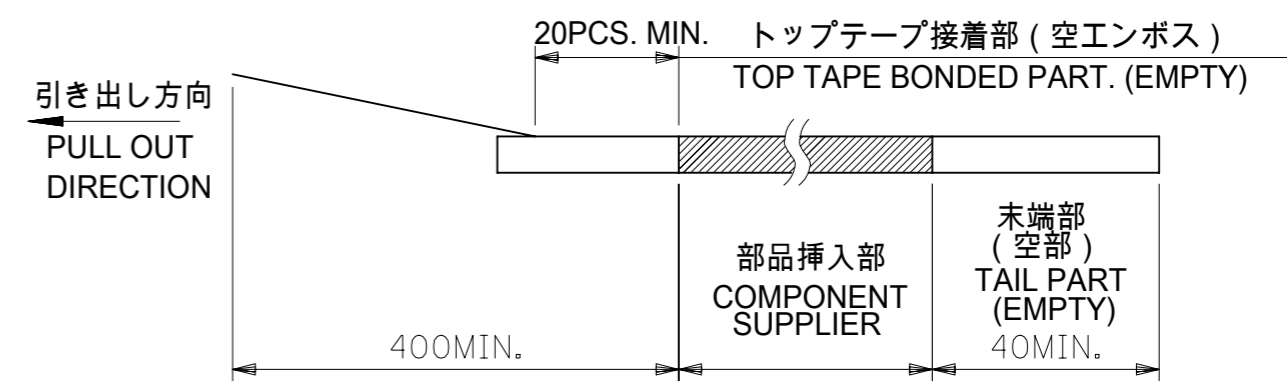


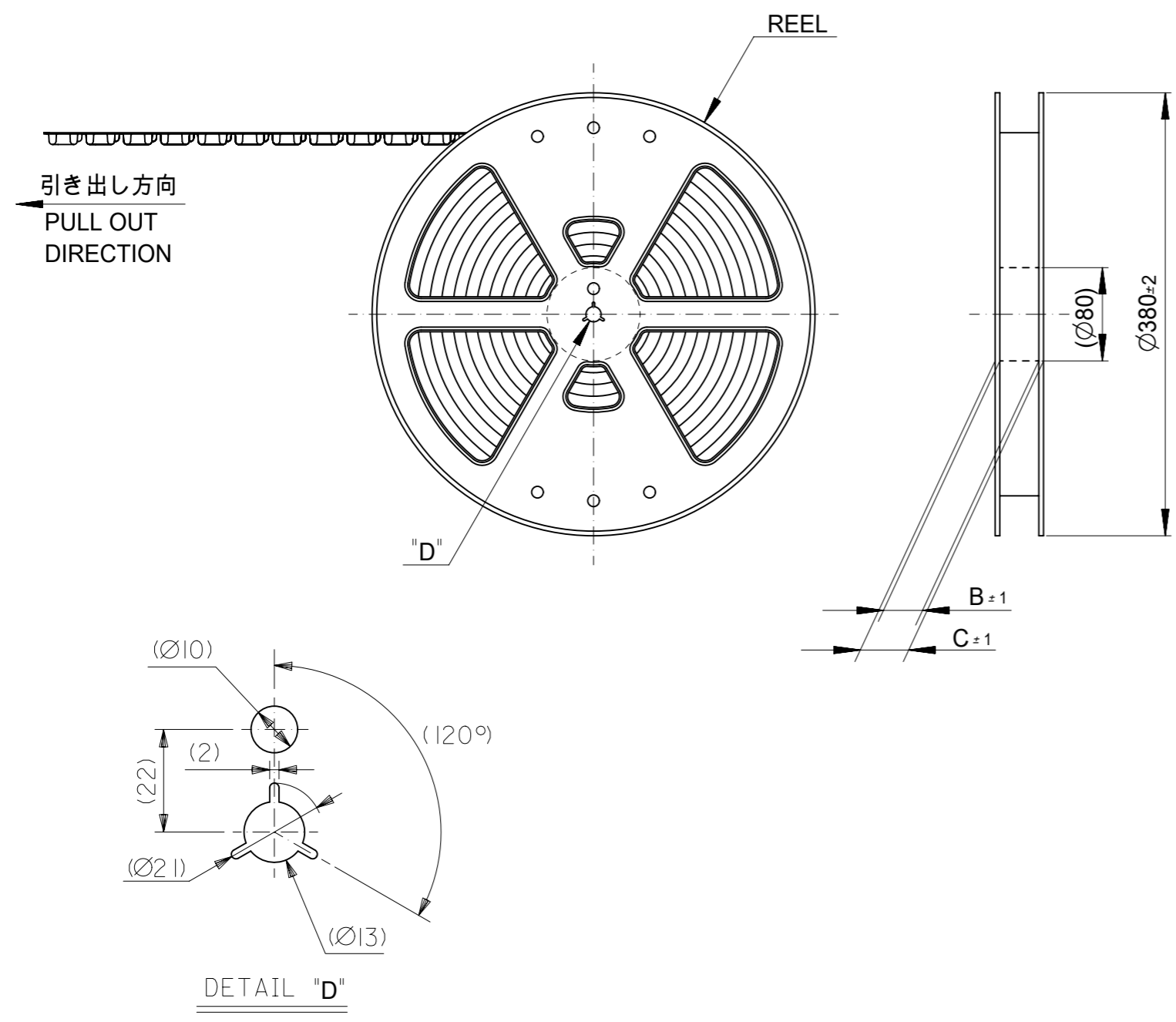
10極以下に適応
FOR 10 CIRCUIT SIZE OR LESS

注記 NOTES

- 製品詳細寸法については製品単体図面を参照下さい。
FOR DETAIL OF CONNECTOR DIMENSIONS,
PLEASE SEE THE DRAWING OF CONNECTOR ITSELF (NOT PACKAGED).
- 梱包数量：7000個 / リール
NUMBER OF CONNECTORS : 7000PCS/REEL
- リードテープ長さ LEAD TAPE LENGTH



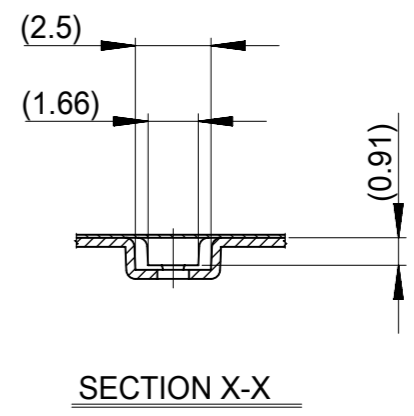
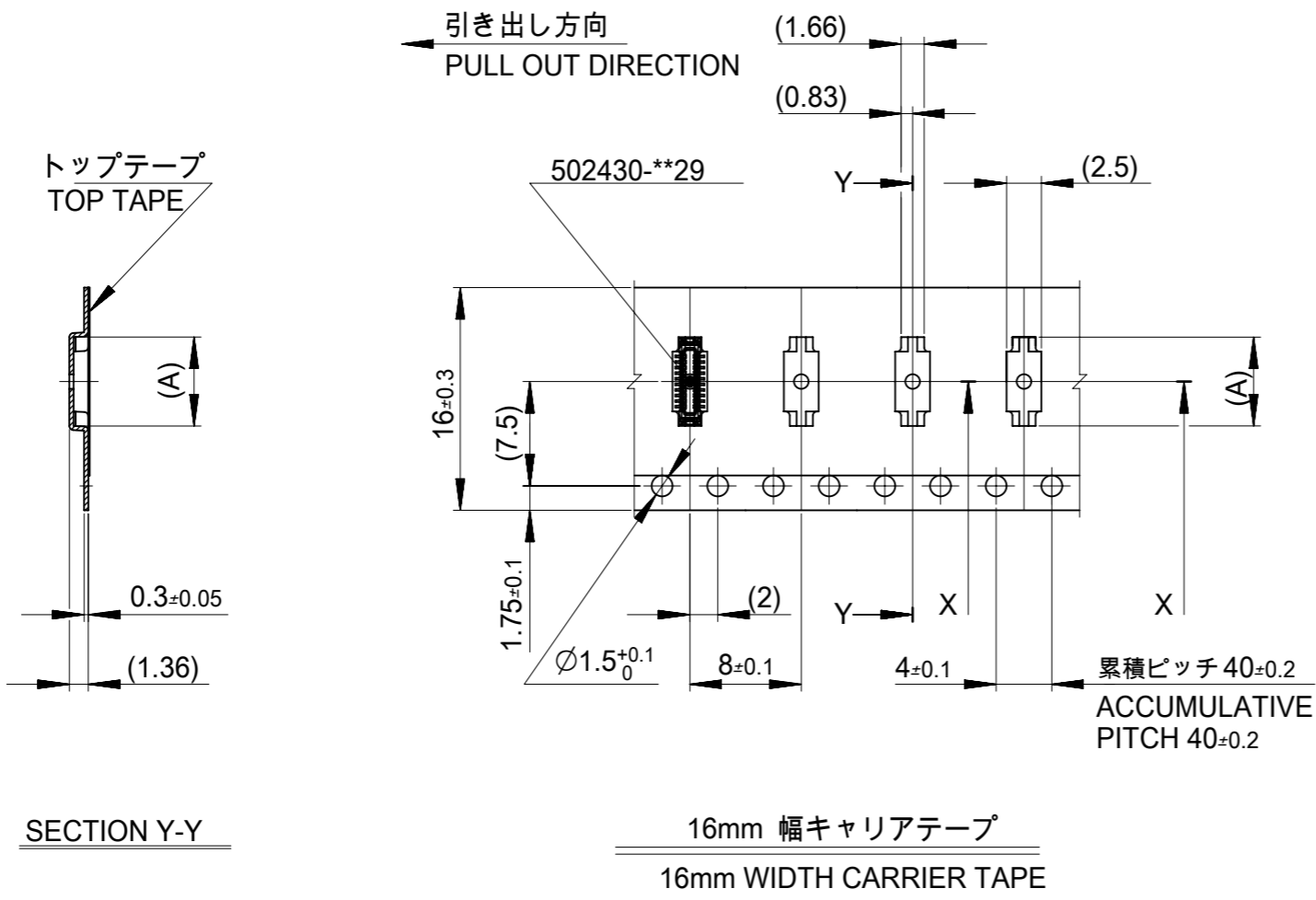
- 材料 MATERIAL
キャリアテープ (CARRIER TAPE) : ポリスチレン (POLYSTYRENE)
トップテープ (TOP TAPE) : PET, OTHER
リール (REEL) : ポリスチレン (PS)<リサイクル材を含む>
POLYSTYRENE (PS) <RECYCLE MATERIAL CONTAINED>
- ELV及び RoHS 適合品
ELV AND RoHS COMPLIANT
- 14極以上については、Doc. 5024300001を参照願います。
FOR 14 CIRCUIT SIZE OR OVER, REFER TO DOC. #5024300001.



MODEL NO. 502430**22

THIS DRAWING CONTAINS INFORMATION THAT IS PROPRIETARY TO MOLEX ELECTRONIC TECHNOLOGIES, LLC AND SHOULD NOT BE USED WITHOUT WRITTEN PERMISSION		CURRENT REV DESC: REVISED		molex	
DIMENSION UNITS	SCALE				
mm	NTS			PRODUCT CUSTOMER DRAWING	
GENERAL TOLERANCES (UNLESS SPECIFIED)		EC NO: 639809		DOCUMENT NUMBER	
ANGULAR TOL	± 3.0°	DRWN: SCV 2020/06/22		5024300000	
4 PLACES	± 0.03	CHK'D: HSHIMUYAMA 2020/07/02		DOC TYPE	DOC PART
3 PLACES	± 0.03	APPR: SHOSHIKAWA 2020/07/02		PSD	000
2 PLACES	± 0.05	INITIAL REVISION:		REVISION	C
1 PLACE	± 0.1	DRWN: YSHIBATA 2017/01/16			
0 PLACES	± 0.2	APPR: MSASAO 2017/01/19			
DRAFT WHERE APPLICABLE MUST REMAIN WITHIN DIMENSIONS		THIRD ANGLE PROJECTION	DRAWING	SERIES	MATERIAL NUMBER
			A3-SIZE	502430	SEE SHEET 2
				CUSTOMER	SHEET NUMBER
				GENERAL	1 OF 2

10極以下に適応
FOR 10 CIRCUIT SIZE OR LESS



16	21.4	17.4	3.98	502430-0822	8
キャリアテープ幅 CARRIER TAPE WIDTH			C	B	(A)
				MATERIAL No.	CKT.
				MODEL No.	502430-**-22

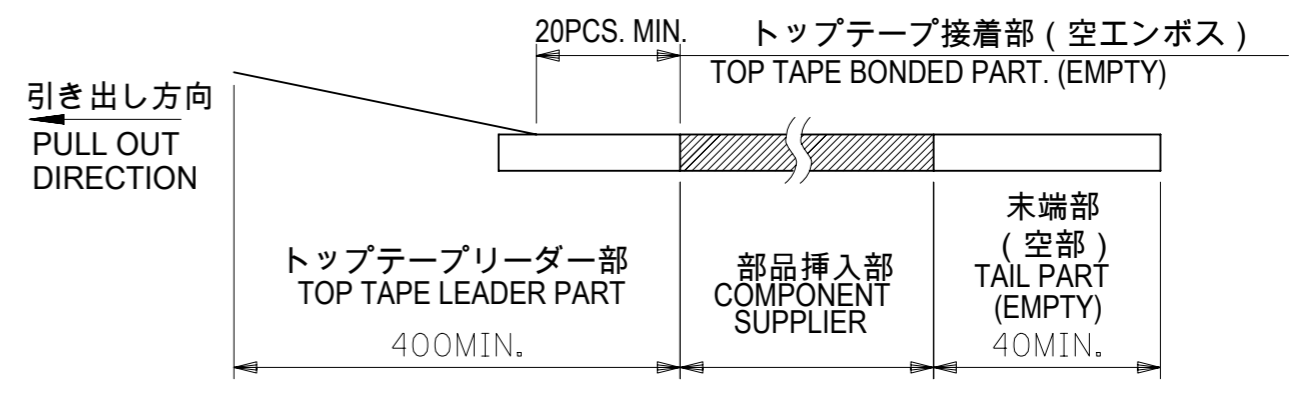
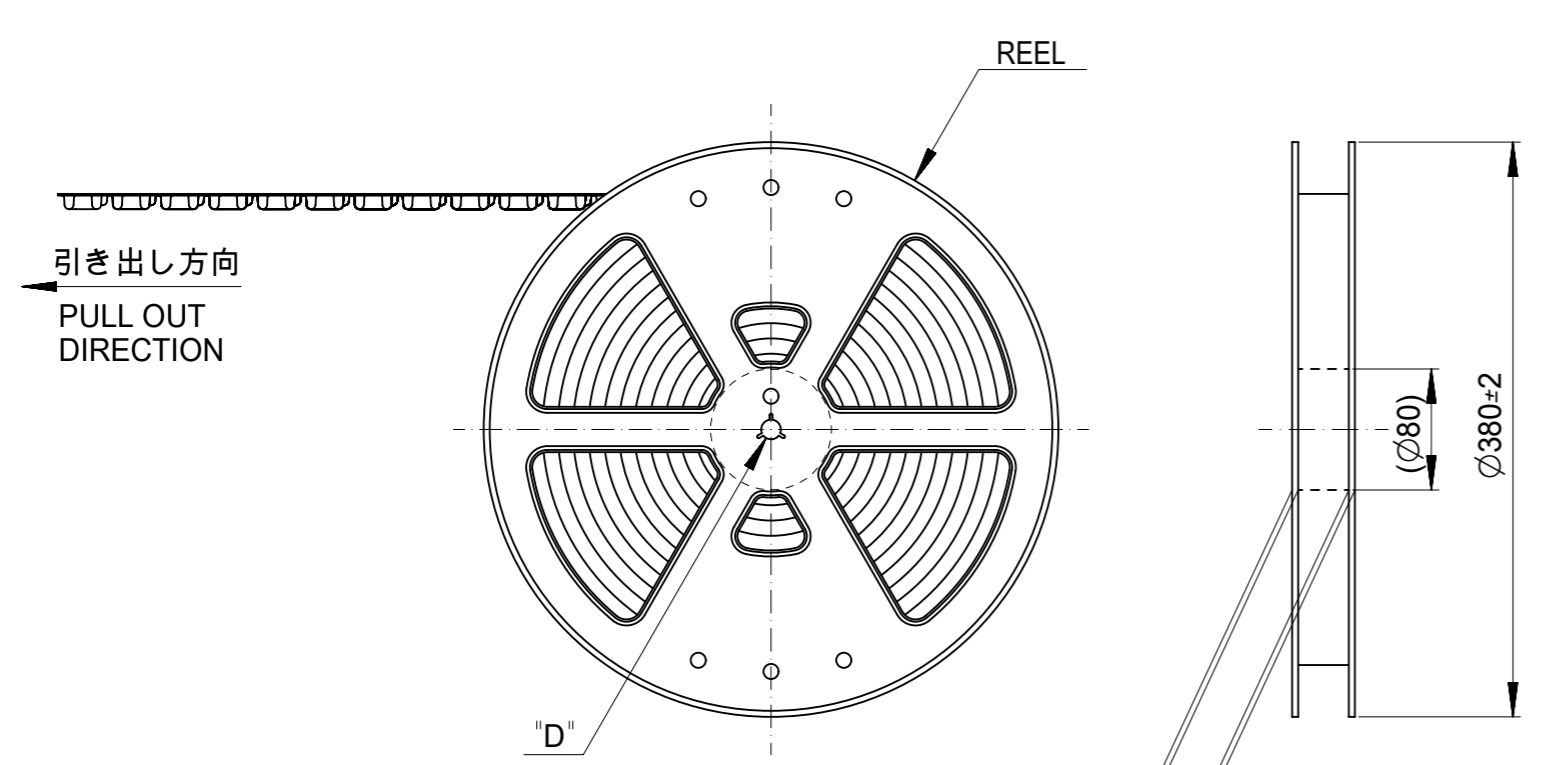
THIS DRAWING CONTAINS INFORMATION THAT IS PROPRIETARY TO MOLEX ELECTRONIC TECHNOLOGIES, LLC AND SHOULD NOT BE USED WITHOUT WRITTEN PERMISSION

DIMENSION UNITS	SCALE	CURRENT REV DESC: REVISED			
mm	NTS	<p>0.4 B-TO-B CONN. HGT=1.0 HRF PLUG ASSY EMBSTP PKG</p> <p>PRODUCT CUSTOMER DRAWING</p>			
GENERAL TOLERANCES (UNLESS SPECIFIED)					
ANGULAR TOL	± 3.0°				
4 PLACES	± 0.03				
3 PLACES	± 0.03				
2 PLACES	± 0.05				
1 PLACE	± 0.1	EC NO: 639809	2020/06/22	DRWN: SCV	2020/07/02
0 PLACES	± 0.2	CHK'D: HSHIMOYAMA	2020/07/02	APPR: SHOSHIKAWA	2020/07/02
DRAFT WHERE APPLICABLE MUST REMAIN WITHIN DIMENSIONS		THIRD ANGLE PROJECTION		DRAWING	SERIES
				A3-SIZE	502430
		MATERIAL NUMBER		CUSTOMER	SHEET NUMBER
		5024300000		GENERAL	2 OF 2

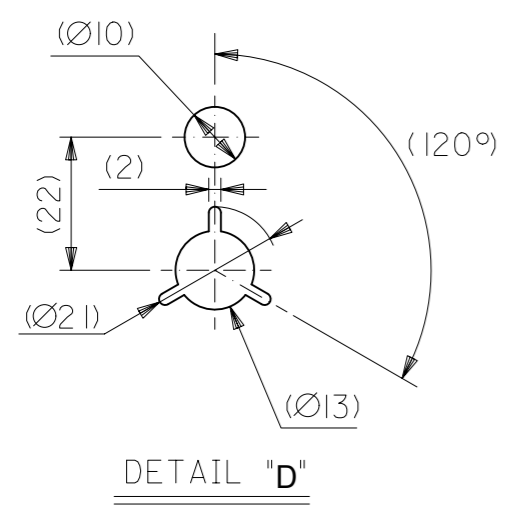
14極以上に適応
FOR 14 CIRCUIT SIZE OR OVER

注記 NOTES

- 製品詳細寸法については製品単体図面を参照下さい。
FOR DETAIL OF CONNECTOR DIMENSIONS,
PLEASE SEE THE DRAWING OF CONNECTOR ITSELF (NOT PACKAGED).
- 梱包数量 : 7000個 / リール
NUMBER OF CONNECTORS : 7000PCS/REEL
- リードテープ長さ LEAD TAPE LENGTH



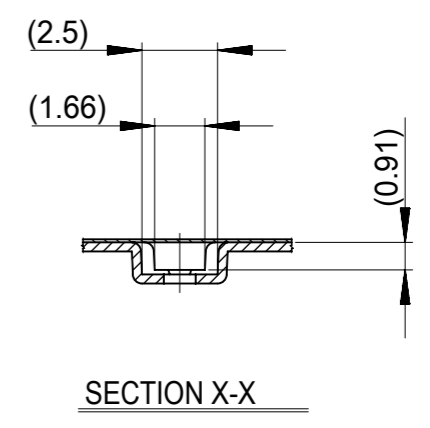
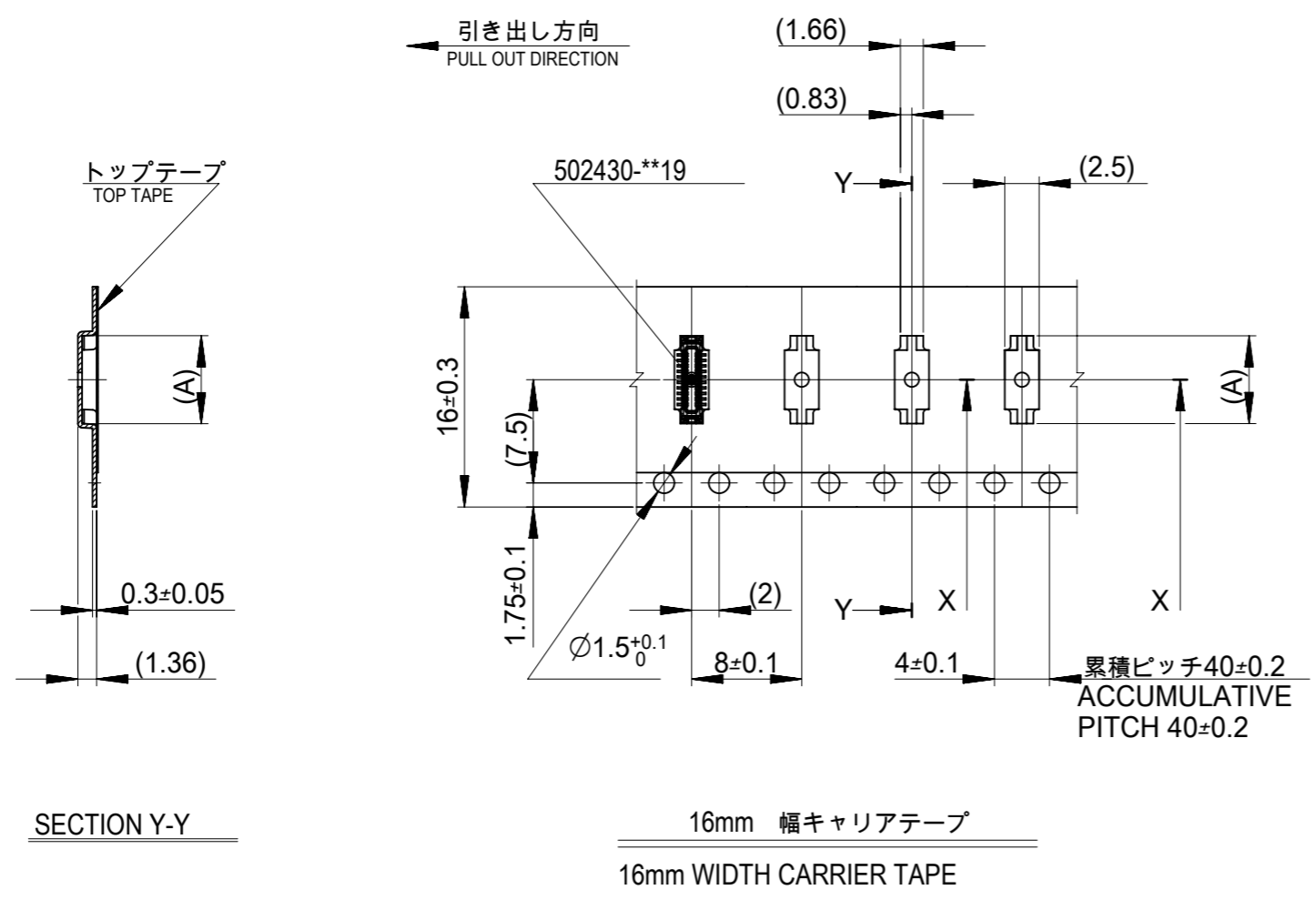
- 材料 MATERIAL
キャリアテープ (CARRIER TAPE) : ポリスチレン (POLYSTYRENE)
トップテープ (TOP TAPE) : PET, OTHER
リール (REEL) : ポリスチレン(PS) <リサイクル材を含む>
POLYSTYRENE (PS) <RECYCLE MATERIAL CONTAINED>
- ELV及びRoHS適合品
ELV AND RoHS COMPLIANT
- 10極以下については、Doc. 5024300000を参照願います。
FOR 10 CIRCUIT SIZE OR LESS, REFER TO DOC. #5024300000.



MODEL NO. 502430-**12

THIS DRAWING CONTAINS INFORMATION THAT IS PROPRIETARY TO MOLEX ELECTRONIC TECHNOLOGIES, LLC AND SHOULD NOT BE USED WITHOUT WRITTEN PERMISSION		CURRENT REV DESC: REVISED		molex	
DIMENSION UNITS	SCALE				
mm	NTS			PRODUCT CUSTOMER DRAWING	
GENERAL TOLERANCES (UNLESS SPECIFIED)		EC NO: 639809		DOCUMENT NUMBER	
ANGULAR TOL	± 3.0°	DRWN: SCV 2020/06/18		5024300001	
4 PLACES	± 0.03	CHK'D: HSHIMOYAMA 2020/07/02		DOC TYPE DOC PART REVISION	
3 PLACES	± 0.03	APPR: SHOSHIKAWA 2020/07/02		PSD 000 D	
2 PLACES	± 0.05	INITIAL REVISION:		MATERIAL NUMBER	
1 PLACE	± 0.1	DRWN: YSHIBATA 2017/01/16		CUSTOMER	
0 PLACES	± 0.2	APPR: MSASAO 2017/02/21		GENERAL	
DRAFT WHERE APPLICABLE MUST REMAIN WITHIN DIMENSIONS		THIRD ANGLE PROJECTION	DRAWING	SERIES	SHEET NUMBER
			A3-SIZE	502430	1 OF 5

14極以上に適応
FOR 14 CIRCUIT SIZE OR OVER

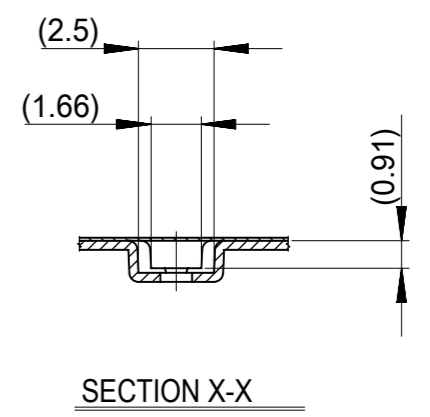
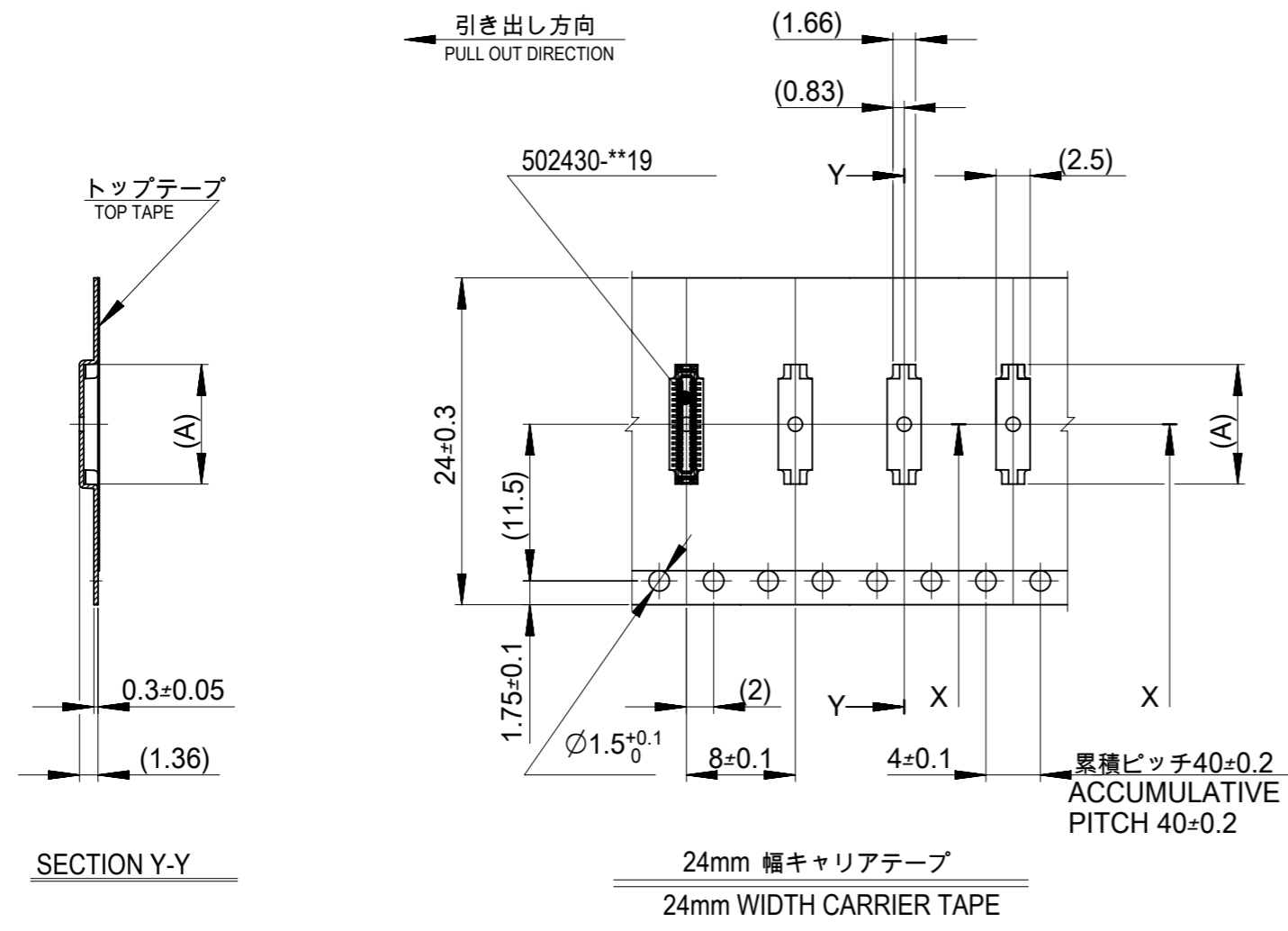


16	21.4	17.4	7.58	502430-2612	26
			7.18	502430-2412	24
			6.78	502430-2212	22
			6.38	502430-2012	20
			5.18	502430-1412	14
キャリアテープ幅 CARRIER TAPE WIDTH			C	B	(A)
			MATERIAL No.		CKT.
			MODEL No.	502430-**12	

THIS DRAWING CONTAINS INFORMATION THAT IS PROPRIETARY TO MOLEX ELECTRONIC TECHNOLOGIES, LLC AND SHOULD NOT BE USED WITHOUT WRITTEN PERMISSION

DIMENSION UNITS	SCALE	CURRENT REV DESC: REVISED			
mm	NTS	<p>0.4 B-TO-B CONN. HGT=1.0 PLUG ASSY EMBSTP PKG</p> <p>PRODUCT CUSTOMER DRAWING</p>			
GENERAL TOLERANCES (UNLESS SPECIFIED)					
ANGULAR TOL	± 3.0°				
4 PLACES	± 0.03				
3 PLACES	± 0.03				
2 PLACES	± 0.05				
1 PLACE	± 0.1	EC NO: 639809	2020/06/18	DOCUMENT NUMBER	DOC TYPE
0 PLACES	± 0.2	DRWN: SCV	2020/07/02	5024300001	PSD
DRAFT WHERE APPLICABLE MUST REMAIN WITHIN DIMENSIONS		CHK'D: HSHIMOMYAMA	2020/07/02	DOC PART	REVISION
THIRD ANGLE PROJECTION		APPR: SHOSHIKAWA	2020/07/02	000	D
DRAWING		INITIAL REVISION:	2017/01/16	SHEET NUMBER	
A3-SIZE		DRWN: YSHIBATA	2017/02/21	2 OF 5	
SERIES		APPR: MSASAO			
502430					
MATERIAL NUMBER		CUSTOMER			
SEE TABLE		GENERAL			

14極以上に適応
FOR 14 CIRCUIT SIZE OR OVER

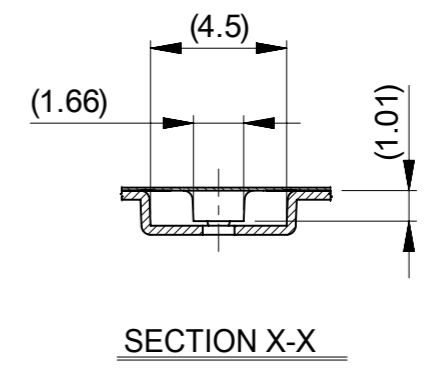
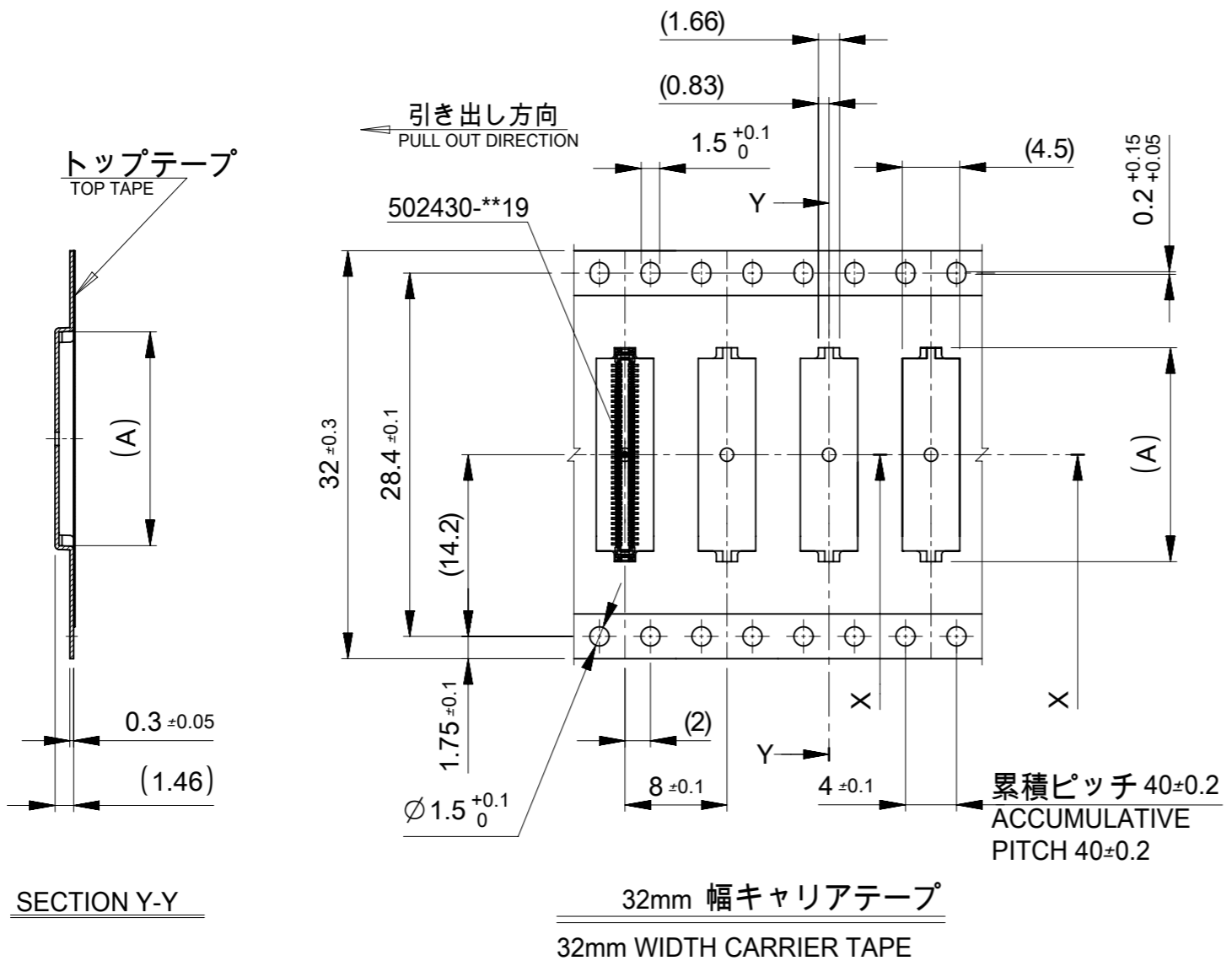


24	29.4	25.4	15.18	502430-6412	64
			14.38	502430-6012	60
			12.38	502430-5012	50
			11.18	502430-4412	44
			10.38	502430-4012	40
			9.18	502430-3412	34
			8.78	502430-3212	32
			8.38	502430-3012	30
キャリアテープ幅 CARRIER TAPE WIDTH			C	B	(A)
			MATERIAL No.		CKT.
			MODEL No.	502430-**-12	

THIS DRAWING CONTAINS INFORMATION THAT IS PROPRIETARY TO MOLEX ELECTRONIC TECHNOLOGIES, LLC AND SHOULD NOT BE USED WITHOUT WRITTEN PERMISSION

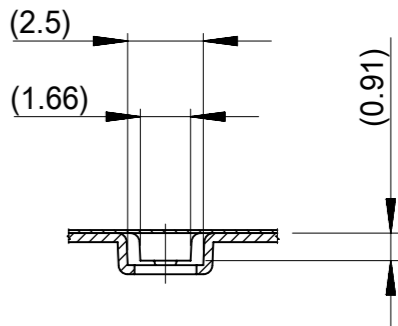
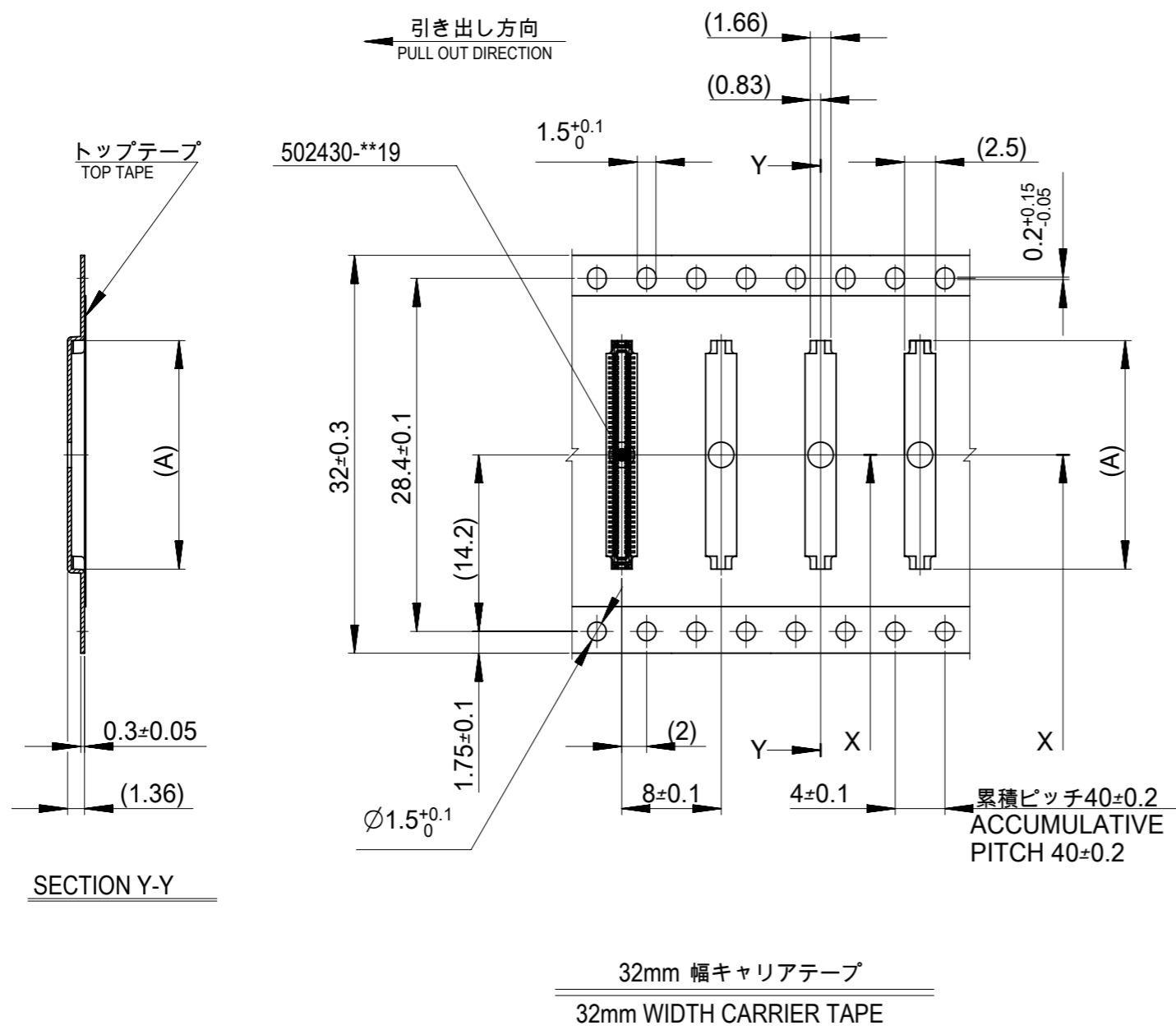
DIMENSION UNITS	SCALE	CURRENT REV DESC: REVISED			
mm	NTS	<p>0.4 B-TO-B CONN. HGT=1.0 PLUG ASSY EMBSTP PKG</p> <p>PRODUCT CUSTOMER DRAWING</p>			
GENERAL TOLERANCES (UNLESS SPECIFIED)					
ANGULAR TOL	± 3.0°				
4 PLACES	± 0.03				
3 PLACES	± 0.03				
2 PLACES	± 0.05				
1 PLACE	± 0.1	EC NO: 639809	2020/06/18		
0 PLACES	± 0.2	DRWN: SCV	2020/07/02		
DRAFT WHERE APPLICABLE MUST REMAIN WITHIN DIMENSIONS		CHK'D: HSHIMOMYAMA	2020/07/02		
THIRD ANGLE PROJECTION		APPR: SHOSHIKAWA	2020/07/02		
DRAWING		INITIAL REVISION:			
A3-SIZE		DRWN: YSHIBATA	2017/01/16		
SERIES		APPR: MSASAO	2017/02/21		
MATERIAL NUMBER		DOCUMENT NUMBER		DOC TYPE	DOC PART
SEE TABLE		5024300001		PSD	000
CUSTOMER		GENERAL			
SHEET NUMBER		3 OF 5			

14極以上に適応
FOR 14 CIRCUIT SIZE OR OVER



32	37.4	33.4	16.38	502430-7012	70
キャリアテープ幅 CARRIER TAPE WIDTH			C	B	(A)
			MATERIAL No.		CKT.
			MODEL No.		502430-**12
THIS DRAWING CONTAINS INFORMATION THAT IS PROPRIETARY TO MOLEX ELECTRONIC TECHNOLOGIES, LLC AND SHOULD NOT BE USED WITHOUT WRITTEN PERMISSION					
DIMENSION UNITS		SCALE		CURRENT REV DESC: REVISED	
mm		NTS			
GENERAL TOLERANCES (UNLESS SPECIFIED)					
ANGULAR TOL ± 3.0°					
4 PLACES ± 0.03					
3 PLACES ± 0.03					
2 PLACES ± 0.05					
1 PLACE ± 0.1					
0 PLACES ± 0.2					
DRAFT WHERE APPLICABLE MUST REMAIN WITHIN DIMENSIONS		THIRD ANGLE PROJECTION		DRAWING	
		A3-SIZE		SERIES	
		502430		MATERIAL NUMBER	
		SEE TABLE		CUSTOMER	
		GENERAL		SHEET NUMBER	
		4 OF 5		DOCUMENT NUMBER	
		5024300001		DOC TYPE	
		PSD		DOC PART	
		000		REVISION	
		D			

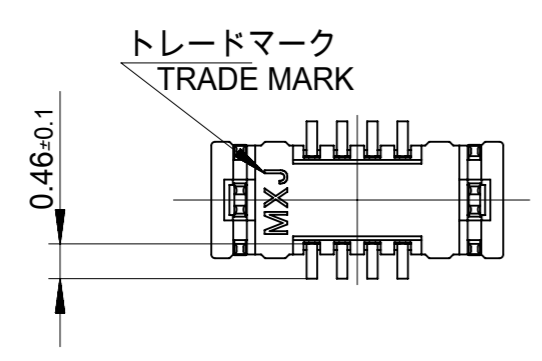
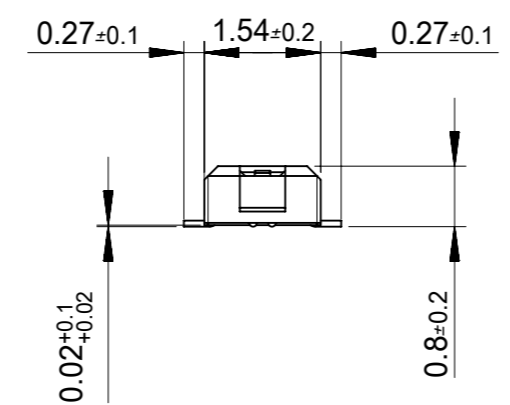
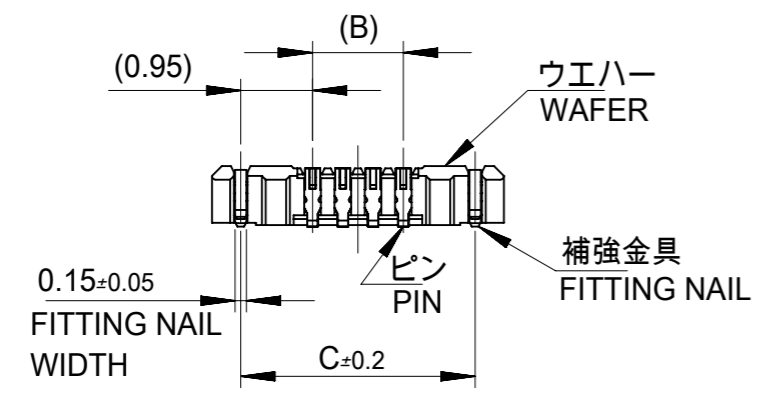
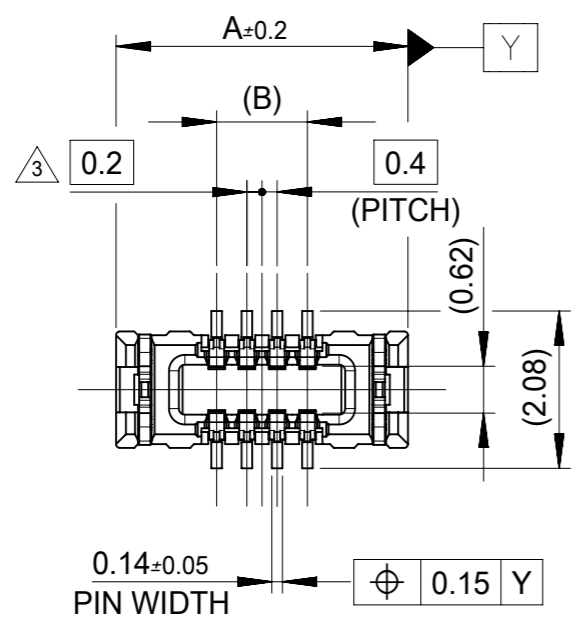
14極以上に適応
FOR 14 CIRCUIT SIZE OR OVER



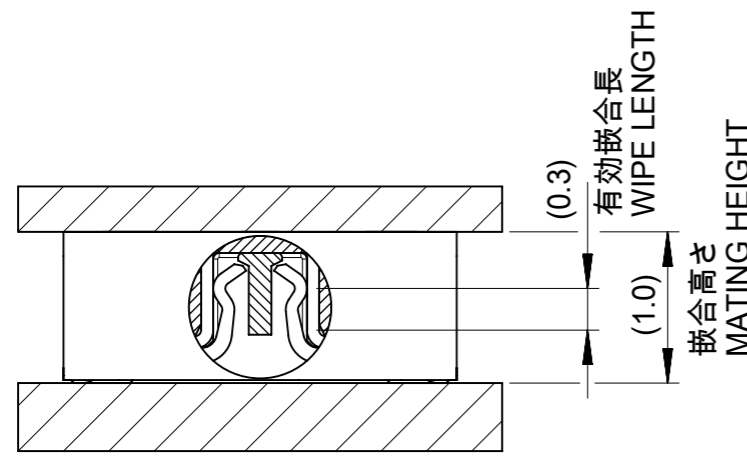
32mm 幅キャリアテープ
32mm WIDTH CARRIER TAPE

32	37.4	33.4	18.38	502430-8012	80
キャリアテープ幅 CARRIER TAPE WIDTH			C	B	(A)
			MATERIAL No.		CKT.
			MODEL No.		502430-**12
THIS DRAWING CONTAINS INFORMATION THAT IS PROPRIETARY TO MOLEX ELECTRONIC TECHNOLOGIES, LLC AND SHOULD NOT BE USED WITHOUT WRITTEN PERMISSION					
DIMENSION UNITS	SCALE	CURRENT REV DESC: REVISED			
mm	NTS	<p>0.4 B-TO-B CONN. HGT=1.0 PLUG ASSY EMBSTP PKG</p> <p>PRODUCT CUSTOMER DRAWING</p>			
GENERAL TOLERANCES (UNLESS SPECIFIED)					
ANGULAR TOL	± 3.0°				
4 PLACES	± 0.03				
3 PLACES	± 0.03				
2 PLACES	± 0.05				
1 PLACE	± 0.1				
0 PLACES	± 0.2	EC NO: 639809 DRWN: SCV CHK'D: HSHIMOYAMA APPR: SHOSHIKAWA 2020/06/18 2020/07/02 2020/07/02		DOCUMENT NUMBER 5024300001 DOC TYPE PSD DOC PART 000 REVISION D	
DRAFT WHERE APPLICABLE MUST REMAIN WITHIN DIMENSIONS		THIRD ANGLE PROJECTION	DRAWING	SERIES	MATERIAL NUMBER
			A3-SIZE	502430	SEE TABLE
				CUSTOMER	SHEET NUMBER
				GENERAL	5 OF 5

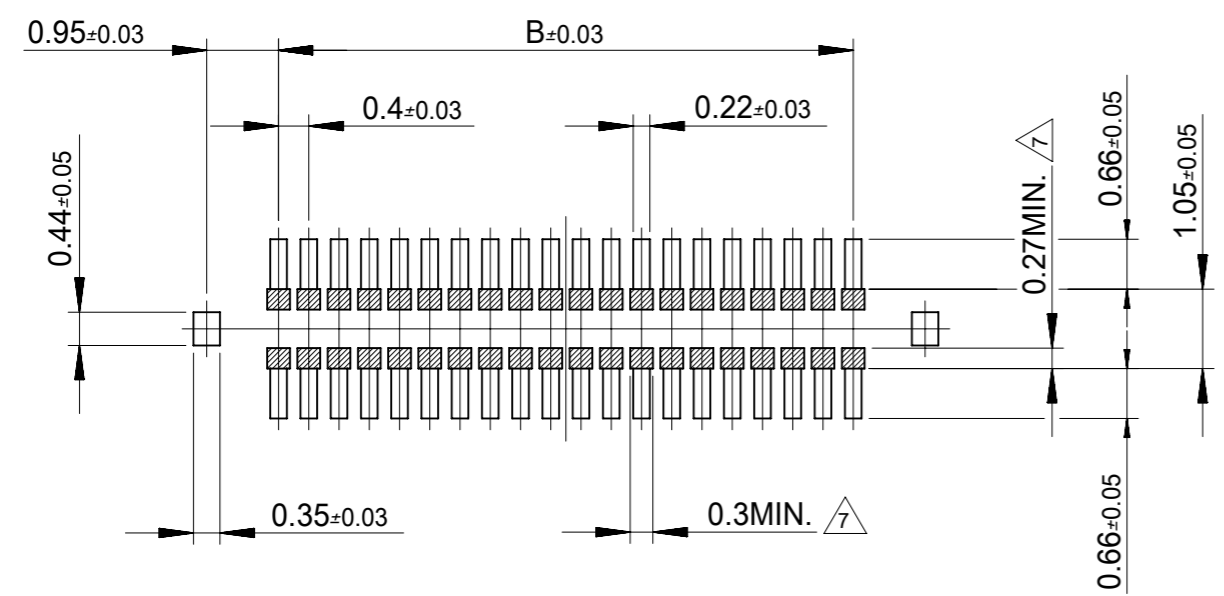
10極以下に適応
FOR 10 CIRCUIT SIZE OR LESS



3.1	1.2	3.86	502430-0822	8			
C	B	A	EMBOSSED PACKAGE	極数			
			オーダー番号 ORDER No.	CIRCUITS			
CONNECTOR SERIES No. 502430-**29							
THIS DRAWING CONTAINS INFORMATION THAT IS PROPRIETARY TO MOLEX ELECTRONIC TECHNOLOGIES, LLC AND SHOULD NOT BE USED WITHOUT WRITTEN PERMISSION							
DIMENSION UNITS	SCALE	CURRENT REV DESC: REVISED					
mm	10:1						
GENERAL TOLERANCES (UNLESS SPECIFIED)							
ANGULAR TOL	± 3.0°						
4 PLACES	± 0.03						
3 PLACES	± 0.03						
2 PLACES	± 0.05						
1 PLACE	± 0.1						
0 PLACES	± 0.2						
DRAFT WHERE APPLICABLE MUST REMAIN WITHIN DIMENSIONS		THIRD ANGLE PROJECTION	DRAWING	SERIES	MATERIAL NUMBER	CUSTOMER	SHEET NUMBER
			A3-SIZE	502430	SEE TABLE	GENERAL	1 OF 2



嵌合断面図 (参考)
MATED DRAWING (REFERENCE)



P.C. BOARD PATTERN LAYOUT
(REFERENCE)

注記 NOTES

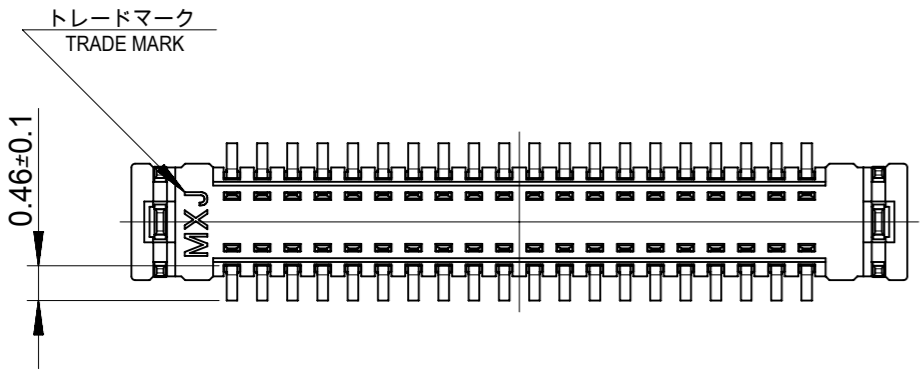
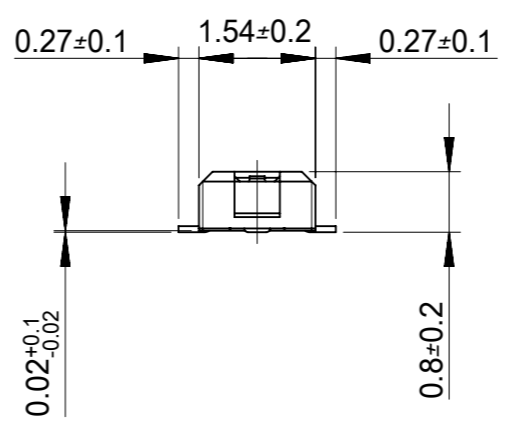
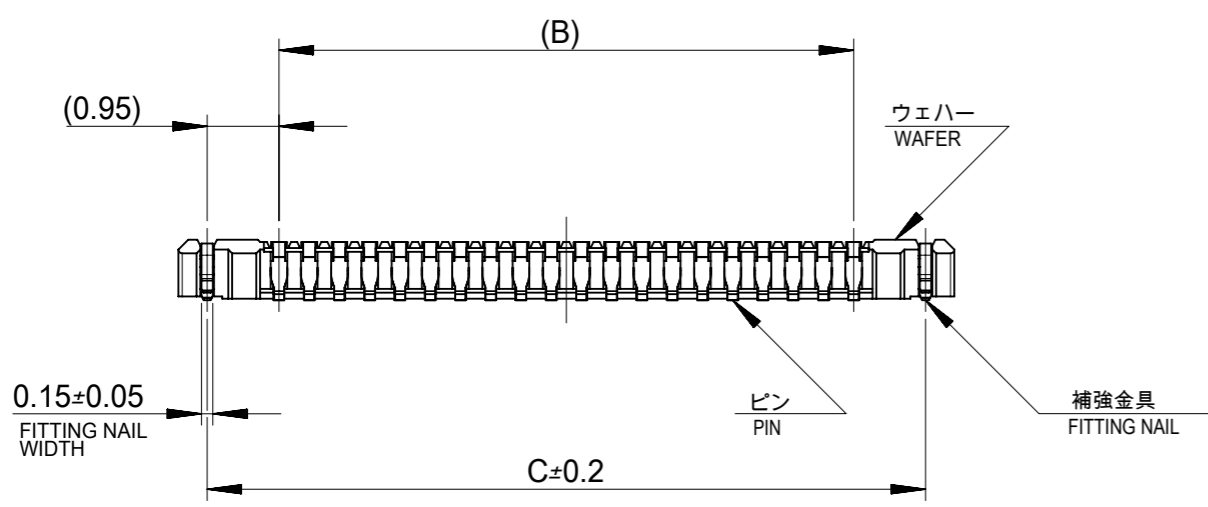
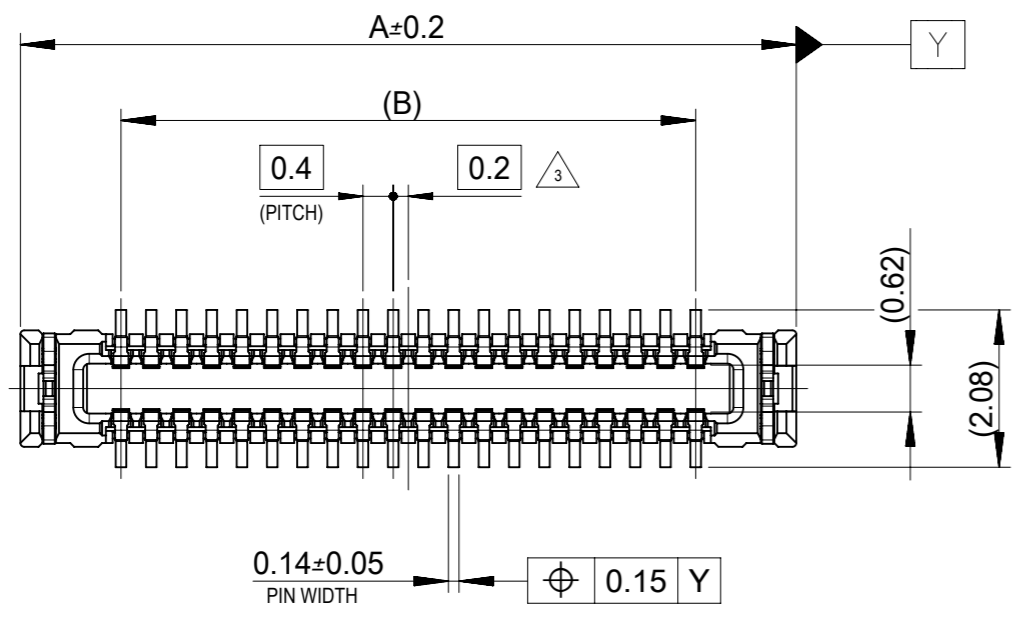
1. 使用材料 MATERIAL
 ウェハー : 液晶ポリマー (LCP) ガラス充填 UL94V-0 (黒)
 WAFER: LIQUID CRYSTAL POLYMER (GLASS FILLED) UL94V-0 (COLOR: BLACK)
 ピン : リン青銅 (t=0.08)
 PIN : PHOSPHOR BRONZE (t=0.08)
 金具 : リン青銅 (t=0.15)
 FITTING NAIL : PHOSPHOR BRONZE (t=0.15)
2. メッキ仕様 PLATING
 ピン PIN
 金メッキ 0.1マイクロメートル以上
 GOLD 0.1MICROMETER MINIMUM
 下地メッキ : ニッケルメッキ 1.0マイクロメートル以上
 UNDER PLATING : NICKEL 1.0MICROMETER MINIMUM
 ※コンタクト部とテール部はニッケルメッキによって分断されている金メッキです。
 DIVIDE INTO PARTS THE GOLD PLATING OF THE CONTACT AND THE TAIL PART BY THE NICKEL PLATING.
 金具 FITTING NAIL
 フラッシュ金メッキ
 FLASH Au PLATING
 下地メッキ : ニッケルメッキ 1.0マイクロメートル以上
 UNDER PLATING : NICKEL 1.0MICROMETER MINIMUM

- 3 (全極数 / 2) = 偶数の場合に適用。
 APPLY FOR (CIRCUIT / 2) = EVEN.
4. 嵌合相手 : 502426シリーズ
 MATE WITH : 502426 SERIES.
5. テール平坦度は、0.08以下
 テール及び金具の平坦度は、0.1以下
 TAIL COPLANARITY TO BE 0.08 MAXIMUM.
 TAIL AND FITTING NAIL COPLANARITY TO BE 0.1 MAXIMUM.
6. ELV 及び RoHS 適合品
 ELV AND RoHS COMPLIANT.
- 7 斜線部はパターン書込み禁止範囲と半田禁止範囲を示す。
 ただし、斜線部に同一配線を配置する場合はレジストを施し、この部分に半田は無きこと。
 NO PATTERN CIRCUIT AND NO SOLDER ALLOWED IN THE SHADED AREA.
 HOWEVER, IF NEEDED TO ADD A TRACE OF THE SAME CIRCUIT, PUT THE SOLDER-RESIST,
 YET NO SOLDER ALLOWED IN THE AREA.
8. 14極以上については、Doc. 5024301001を参照願います。
 FOR 14 CIRCUIT SIZE OR OVER, REFER TO DOC. #5024301001.

10極以下に適応
FOR 10 CIRCUIT SIZE OR LESS

THIS DRAWING CONTAINS INFORMATION THAT IS PROPRIETARY TO MOLEX ELECTRONIC TECHNOLOGIES, LLC AND SHOULD NOT BE USED WITHOUT WRITTEN PERMISSION		CURRENT REV DESC: REVISED		molex		
DIMENSION UNITS	SCALE					0.4 B-TO-B CONN. HGT=1.0 W=2.6 PLUG ASSY
mm	10:1			PRODUCT CUSTOMER DRAWING		
GENERAL TOLERANCES (UNLESS SPECIFIED)		EC NO: 639809		DOCUMENT NUMBER		
ANGULAR TOL	± 3.0°	DRWN: SCV 2020/06/22		5024301000		
4 PLACES	± 0.03	CHK'D: HSHIMOYAMA 2020/07/02		DOC TYPE DOC PART REVISION		
3 PLACES	± 0.03	APPR: SHOSHIKAWA 2020/07/02		PSD 000 B		
2 PLACES	± 0.05	INITIAL REVISION:		MATERIAL NUMBER		
1 PLACE	± 0.1	DRWN: YSHIBATA 2017/01/16		CUSTOMER		
0 PLACES	± 0.2	APPR: MSASAO 2017/01/19		SHEET NUMBER		
DRAFT WHERE APPLICABLE MUST REMAIN WITHIN DIMENSIONS		THIRD ANGLE PROJECTION	DRAWING	SERIES	SEE SHEET 1 GENERAL 2 OF 2	
			A3-SIZE	502430		

14極以上に適応
FOR 14 CIRCUIT SIZE OR OVER

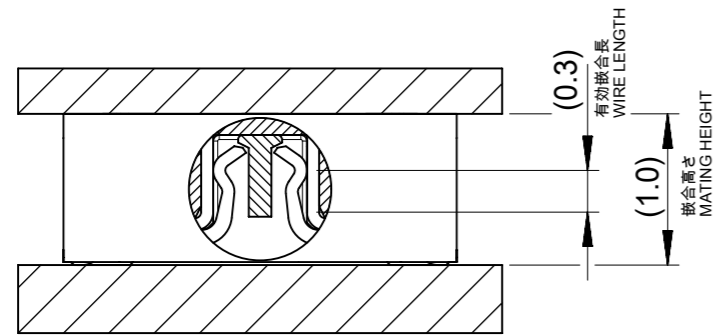


17.5	15.6	18.26	502430-8012	80
15.5	13.6	16.26	502430-7012	70
14.3	12.4	15.06	502430-6412	64
13.5	11.6	14.26	502430-6012	60
11.5	9.6	12.26	502430-5012	50
10.3	8.4	11.06	502430-4412	44
9.5	7.6	10.26	502430-4012	40
8.3	6.4	9.06	502430-3412	34
7.9	6.0	8.66	502430-3212	32
7.5	5.6	8.26	502430-3012	30
6.7	4.8	7.46	502430-2612	26
6.3	4.4	7.06	502430-2412	24
5.9	4.0	6.66	502430-2212	22
5.5	3.6	6.26	502430-2012	20
4.3	2.4	5.06	502430-1412	14
C	B	A	EMBOSSED PACKAGE オーダー番号 ORDER No.	極数 CIRCUITS

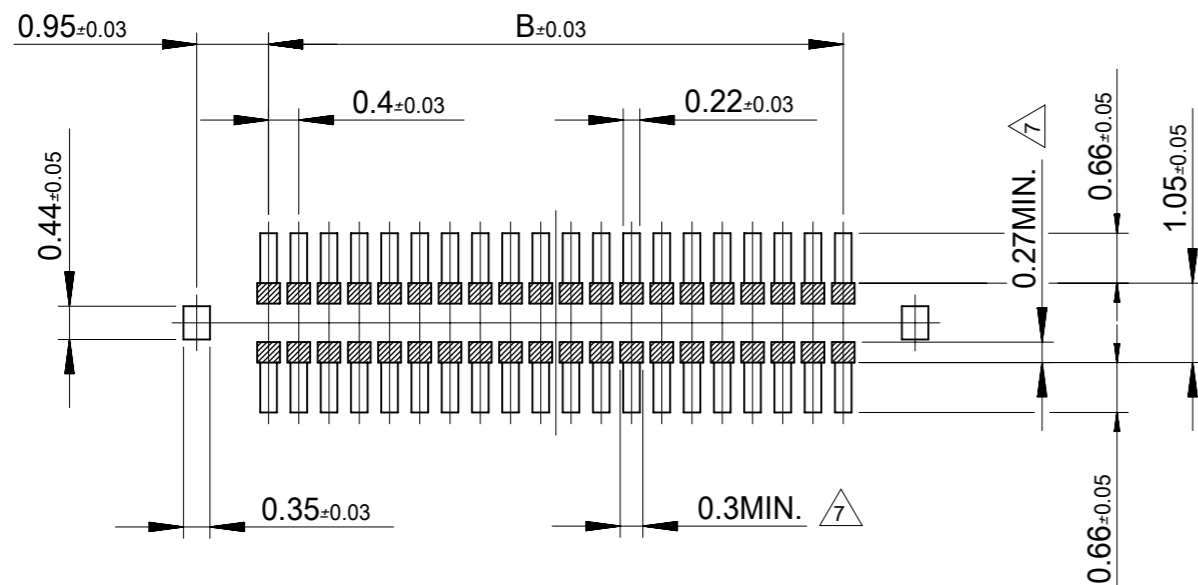
CONNECTOR SERIES No. 502430-**19

THIS DRAWING CONTAINS INFORMATION THAT IS PROPRIETARY TO MOLEX ELECTRONIC TECHNOLOGIES, LLC AND SHOULD NOT BE USED WITHOUT WRITTEN PERMISSION

DIMENSION UNITS mm	SCALE 10:1	CURRENT REV DESC: REVISED		molex		
GENERAL TOLERANCES (UNLESS SPECIFIED)		EC NO: 639809				0.4 B-TO-B CONN. HGT=1.0 W=2.6 PLUG ASSY
ANGULAR TOL	± 3.0°	DRWN: SCV 2020/06/19		PRODUCT CUSTOMER DRAWING		
4 PLACES	± 0.03	CHK'D: HSHIMOYAMA 2020/07/02		DOCUMENT NUMBER		
3 PLACES	± 0.03	APPR: SHOSHIKAWA 2020/07/02		5024301001		
2 PLACES	± 0.05	INITIAL REVISION:		DOC TYPE		
1 PLACE	± 0.1	DRWN: YSHIBATA 2017/01/16		PSD		
0 PLACES	± 0.2	APPR: MSASAO 2017/02/21		DOC PART		
DRAFT WHERE APPLICABLE MUST REMAIN WITHIN DIMENSIONS		THIRD ANGLE PROJECTION	DRAWING	SERIES	MATERIAL NUMBER	CUSTOMER
			A3-SIZE	502430	SEE TABLE	GENERAL
						REVISION
						000 C
						SHEET NUMBER
						1 OF 2



嵌合断面図 (参考)
MATED DRAWING (REFERENCE)



P.C. BOARD PATTERN LAYOUT
(REFERENCE)

注記 NOTES

1. 使用材料 MATERIAL

ウェハー : 液晶ポリマー (LCP) ガラス充填 UL94V-0 (黒)
WAFER: LIQUID CRYSTAL POLYMER (GLASS FILLED) UL94V-0 (COLOR: BLACK)

ピン : りん青銅 (t=0.08)
PIN : PHOSPHOR BRONZE (t=0.08)

金具 : りん青銅 (t=0.15)
FITTING NAIL : PHOSPHOR BRONZE (t=0.15)

2. メッキ仕様 PLATING

ピン PIN

金メッキ 0.1マイクロメートル以上
GOLD 0.1MICROMETER MINIMUM

下地メッキ : ニッケルメッキ 1.0マイクロメートル以上
UNDER PLATING : NICKEL 1.0MICROMETER MINIMUM

※コンタクト部とテール部はニッケルメッキによって分断されている金メッキです。
DIVIDE INTO PARTS THE GOLD PLATING OF THE CONTACT AND THE TAIL PART BY THE NICKEL PLATING.

金具 FITTING NAIL

フラッシュ金メッキ
FLASH Au PLATING

下地メッキ : ニッケルメッキ 1.0マイクロメートル以上
UNDER PLATING : NICKEL 1.0MICROMETER MINIMUM

∇ 3 (全極数 / 2) = 偶数の場合に適用。
APPLY FOR (CIRCUIT/2)=EVEN.

4. 嵌合相手 : 502426シリーズ
MATE WITH : 502426 SERIES.

5. テール平坦度は、0.08以下
テール及び金具の平坦度は、0.1以下
TAIL COPLANARITY TO BE 0.08MAXIMUM.
TAIL AND FITTING NAIL COPLANARITY TO BE 0.1MAXIMUM.

6. ELV 及び RoHS適合品
ELV AND RoHS COMPLIANT.

∇ 7 斜線部はパターン書込み禁止範囲と半田禁止範囲を示す。
ただし、斜線部に同一配線を配置する場合はレジストを施し、この部分に半田は無きこと。
NO PATTERN CIRCUIT AND NO SOLDER ALLOWED IN THE SHADED AREA.
HOWEVER, IF NEEDED TO ADD A TRACE OF THE SAME CIRCUIT, PUT THE SOLDER-RESIST,
YET NO SOLDER ALLOWED IN THE AREA.

8. 10極以下については、Doc. 5024301000を参照願います。
FOR 10 CIRCUIT SIZE OR LESS, REFER TO DOC. #5024301000.

14極以上に適応
FOR 14 CIRCUIT SIZE OR OVER

THIS DRAWING CONTAINS INFORMATION THAT IS PROPRIETARY TO MOLEX ELECTRONIC TECHNOLOGIES, LLC AND SHOULD NOT BE USED WITHOUT WRITTEN PERMISSION		CURRENT REV DESC: REVISED		molex		
DIMENSION UNITS mm	SCALE 10:1					0.4 B-TO-B CONN. HGT=1.0 W=2.6 PLUG ASSY
GENERAL TOLERANCES (UNLESS SPECIFIED)		EC NO: 639809		PRODUCT CUSTOMER DRAWING		
ANGULAR TOL	± 3.0°	DRWN: SCV	2020/06/19	DOCUMENT NUMBER		
4 PLACES	± 0.03	CHK'D: HSHIMOYAMA	2020/07/02	5024301001		
3 PLACES	± 0.03	APPR: SHOSHIKAWA	2020/07/02	DOC TYPE	DOC PART	
2 PLACES	± 0.05	INITIAL REVISION:		PSD	000	
1 PLACE	± 0.1	DRWN: YSHIBATA		C		
0 PLACES	± 0.2	APPR: MSASAO		REVISION		
DRAFT WHERE APPLICABLE MUST REMAIN WITHIN DIMENSIONS		THIRD ANGLE PROJECTION	DRAWING	SERIES	MATERIAL NUMBER	CUSTOMER
			A3-SIZE	502430	SEE SHEET 1	GENERAL
						SHEET NUMBER
						2 OF 2