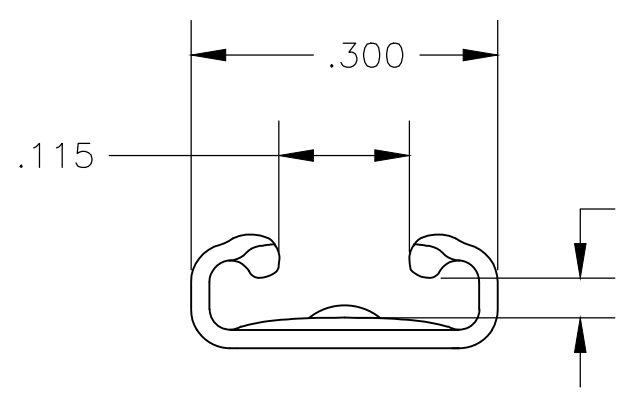
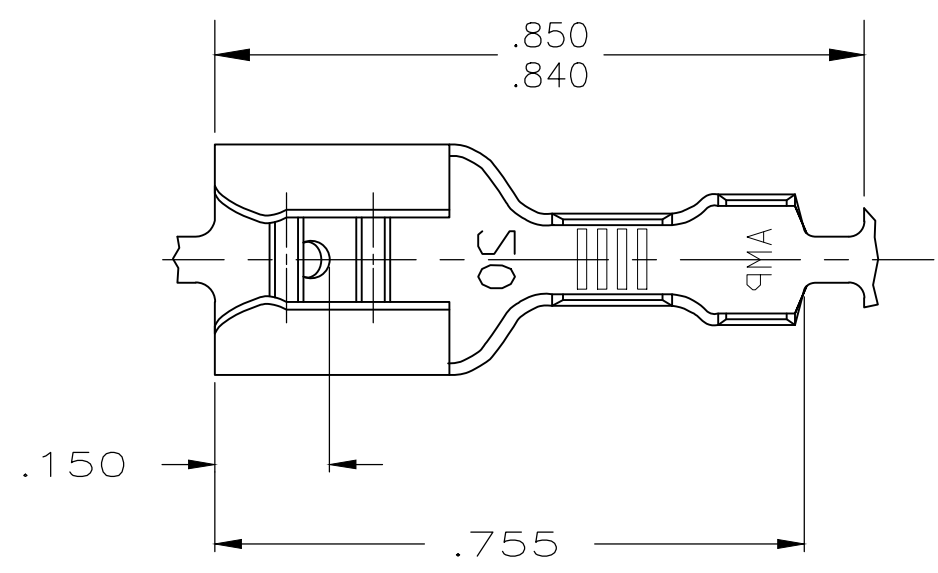


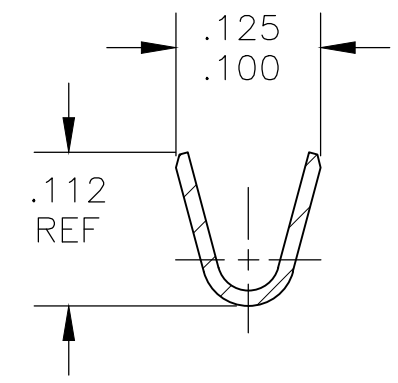
THIS DRAWING IS UNPUBLISHED. RELEASED FOR PUBLICATION
 © COPYRIGHT - By - ALL RIGHTS RESERVED.

| LOC | DIST | REVISIONS | | | |
|-----|------|-------------|---------------------------|-----------|-------|
| P | LTR | DESCRIPTION | DATE | DWN | APVD |
| AF | 50 | H1 | REVISED PER ECR-20-009164 | 11AUG2020 | MK DH |

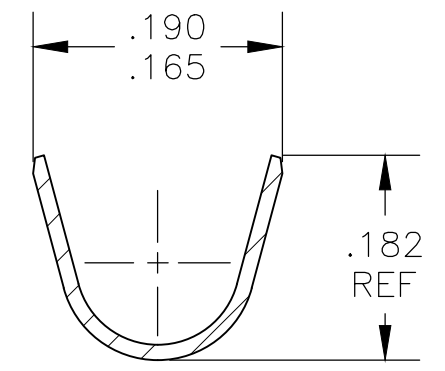
- 1 CONTINUOUS STRIP ON REELS.
- 2 WIRE SIZE 22-18 AWG
- 3 INSULATION RANGE .090-.130 DIA
- 4 MATING TAB THK IS .033-.030



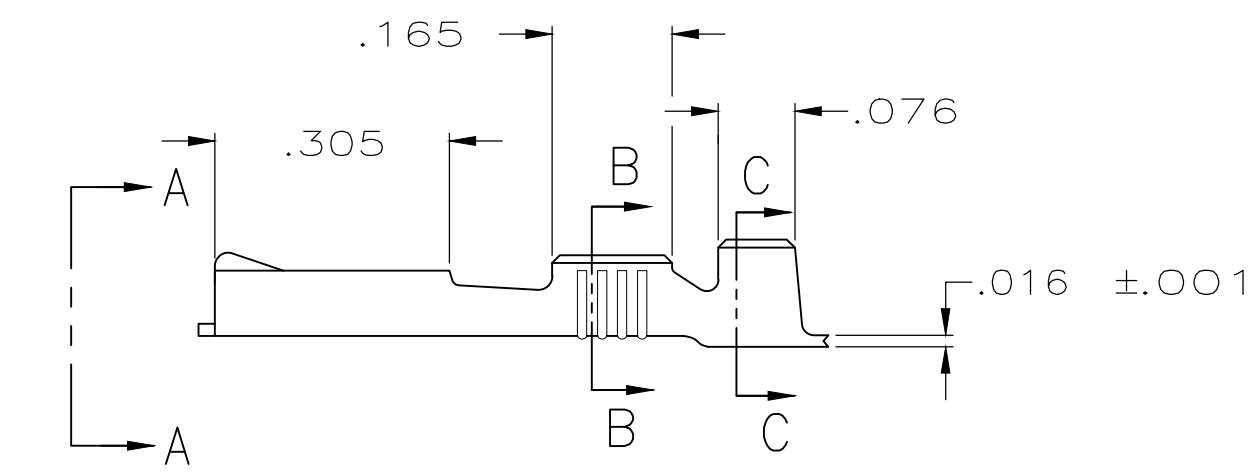
VIEW A-A



SECTION B-B



SECTION C-C



| | |
|--------|---------|
| TIN | 42743-2 |
| — | 42743-1 |
| FINISH | PART NO |

| | | | | | | | | | | | | | | | | | |
|---|--------|-------------------|------------------|---------------|----------------------------|------------------|---------------------|------------------|-------|--------|-------|-----|--------|-----|--------------|------|--|
| THIS DRAWING IS A CONTROLLED DOCUMENT. | | DWN | JR RUTH | 5-14-86 | STE TE Connectivity | | | | | | | | | | | | |
| DIMENSIONS: INCHES | | CHK | G YETTER | 5-16-86 | | | | | | | | | | | | | |
| TOLERANCES UNLESS OTHERWISE SPECIFIED: | | APVD | C MEYERS | 5-16-86 | | | | | | | | | | | | | |
| <table border="0"> <tr><td>0 PLC</td><td>± -</td></tr> <tr><td>1 PLC</td><td>± -</td></tr> <tr><td>2 PLC</td><td>± -</td></tr> <tr><td>3 PLC</td><td>± .015</td></tr> <tr><td>4 PLC</td><td>± -</td></tr> <tr><td>ANGLES</td><td>± -</td></tr> </table> | | 0 PLC | ± - | 1 PLC | | ± - | 2 PLC | ± - | 3 PLC | ± .015 | 4 PLC | ± - | ANGLES | ± - | PRODUCT SPEC | NAME | |
| 0 PLC | ± - | | | | | | | | | | | | | | | | |
| 1 PLC | ± - | | | | | | | | | | | | | | | | |
| 2 PLC | ± - | | | | | | | | | | | | | | | | |
| 3 PLC | ± .015 | | | | | | | | | | | | | | | | |
| 4 PLC | ± - | | | | | | | | | | | | | | | | |
| ANGLES | ± - | | | | | | | | | | | | | | | | |
| MATERIAL: BRASS | | FINISH: SEE ABOVE | APPLICATION SPEC | 114-2036 | | | | | | | | | | | | | |
| MATERIAL: BRASS | | FINISH: SEE ABOVE | WEIGHT | — | SIZE: A3 | CAGE CODE: 00779 | DRAWING NO: C-42743 | RESTRICTED TO: — | | | | | | | | | |
| CUSTOMER DRAWING | | | SCALE: 4:1 | SHEET: 1 OF 1 | REV: H1 | | | | | | | | | | | | |