

## HDC 24B TOS 1M40 WMP

**Weidmüller Interfaces GmbH & Co. KG**

Postfach 3030

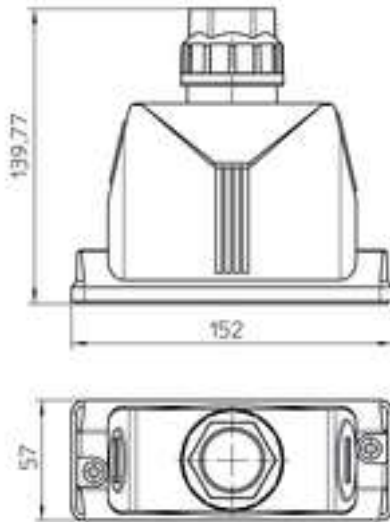
32760 Detmold

Tel. +49 5231 14-0

Fax. +49 5231 14-2083

info@weidmueller.com

www.weidmueller.com



Our flange-mounted housings made of plastic have a built-in cable gland and a screw interlock. They seal directly onto the panel wall and can therefore be used without an attachment housing. The housings are impressive with their low weight and optimal protection against contamination, water and vibrations.

### General ordering data

Version	HDC enclosures, Size: 8, Protection degree: IP66 (in plugged condition), IP67 plugged, Cable entry from top, Screw, , Size of cable entries: M 40
Order No.	<a href="#">2716740000</a>
Type	HDC 24B TOS 1M40 WMP
GTIN (EAN)	4050118806670
Qty.	1 pc(s).

## HDC 24B TOS 1M40 WMP

Weidmüller Interfaces GmbH & Co. KG

Postfach 3030

32760 Detmold

Tel. +49 5231 14-0

Fax. +49 5231 14-2083

[info@weidmueller.com](mailto:info@weidmueller.com)

[www.weidmueller.com](http://www.weidmueller.com)

## Technical data

### Dimensions and weights

Net weight 211 g

### Cable Gland WMP

Cable diameter, min.	19 mm	Cable diameter, max.	28 mm
AF size	36 mm	Size of cable entries	M 40

### Dimensions

Cable entry w. cable glands

### General data

EMC housings	No	Housing main material	PA
Material of locking element	Stainless steel, rust-proof	Protection degree	IP66 (in plugged condition), IP67 plugged
Tightening torque	3 Nm	UL 94 flammability rating	V-0

### Version

BG	8	Cable entry	w. cable glands
Colour (RAL)	RAL 9011	Design of housing	Cable entry from top
Design of locking system	Screw	Number of cable entry on top	1
Number of cable glands	1	Sealing	NBR
Size	8	Size of cable entries	M 40
Suitable for ModuPlug®	Yes	Tightening torque	3 Nm
Top part/bottom part/lid	upper part		

### Classifications

ETIM 6.0	EC000437	ETIM 7.0	EC000437
ETIM 8.0	EC000437	ECLASS 9.0	27-44-02-02
ECLASS 9.1	27-44-02-02	ECLASS 10.0	27-44-02-02
ECLASS 11.0	27-44-02-02	ECLASS 12.0	27-44-02-02

### Approvals

ROHS Conform

### Downloads

Approval/Certificate/Document of Conformity	<a href="#">Manufacturer's declaration</a>
Engineering Data	<a href="#">CAD data – STEP</a>
Catalogues	<a href="#">Catalogues in PDF-format</a>

HDC 24B TOS 1M40 WMP

Weidmüller Interfaces GmbH & Co. KG

Postfach 3030

32760 Detmold

Tel. +49 5231 14-0

Fax. +49 5231 14-2083

info@weidmueller.com

www.weidmueller.com

Drawings

